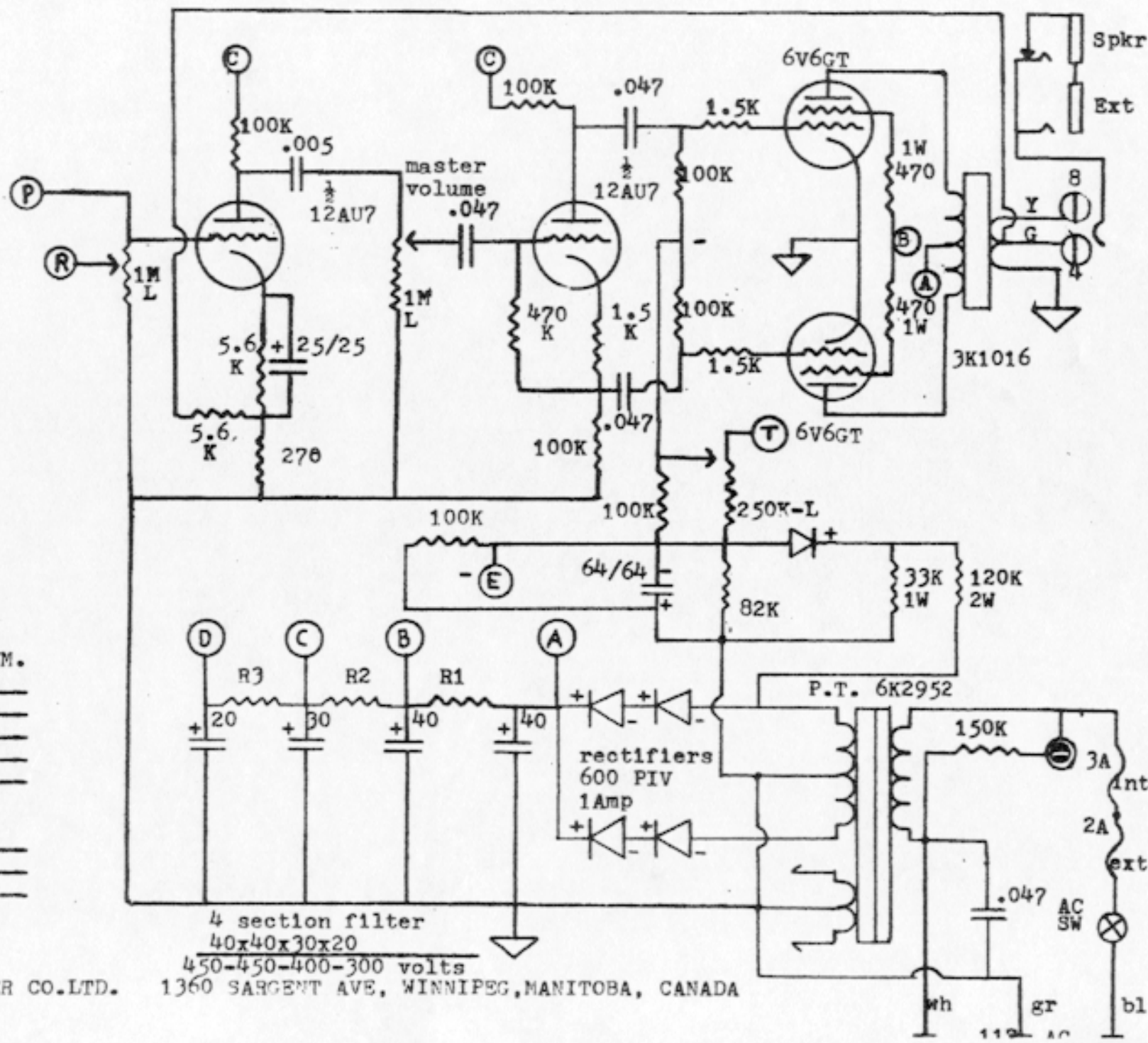


REVOLUTION I
G45TR



Voltages: V.T.VM.

- A) 445
- B) _____
- C) _____
- D) _____
- E) -32

- R1 10K -2W
- R2 4700 -2W
- R3 100K-1W

4 section filter
40x40x30x20
450-450-400-300 volts

GARNET AMPLIFIER CO.LTD. 1360 SARGENT AVE, WINNIPEG, MANITOBA, CANADA