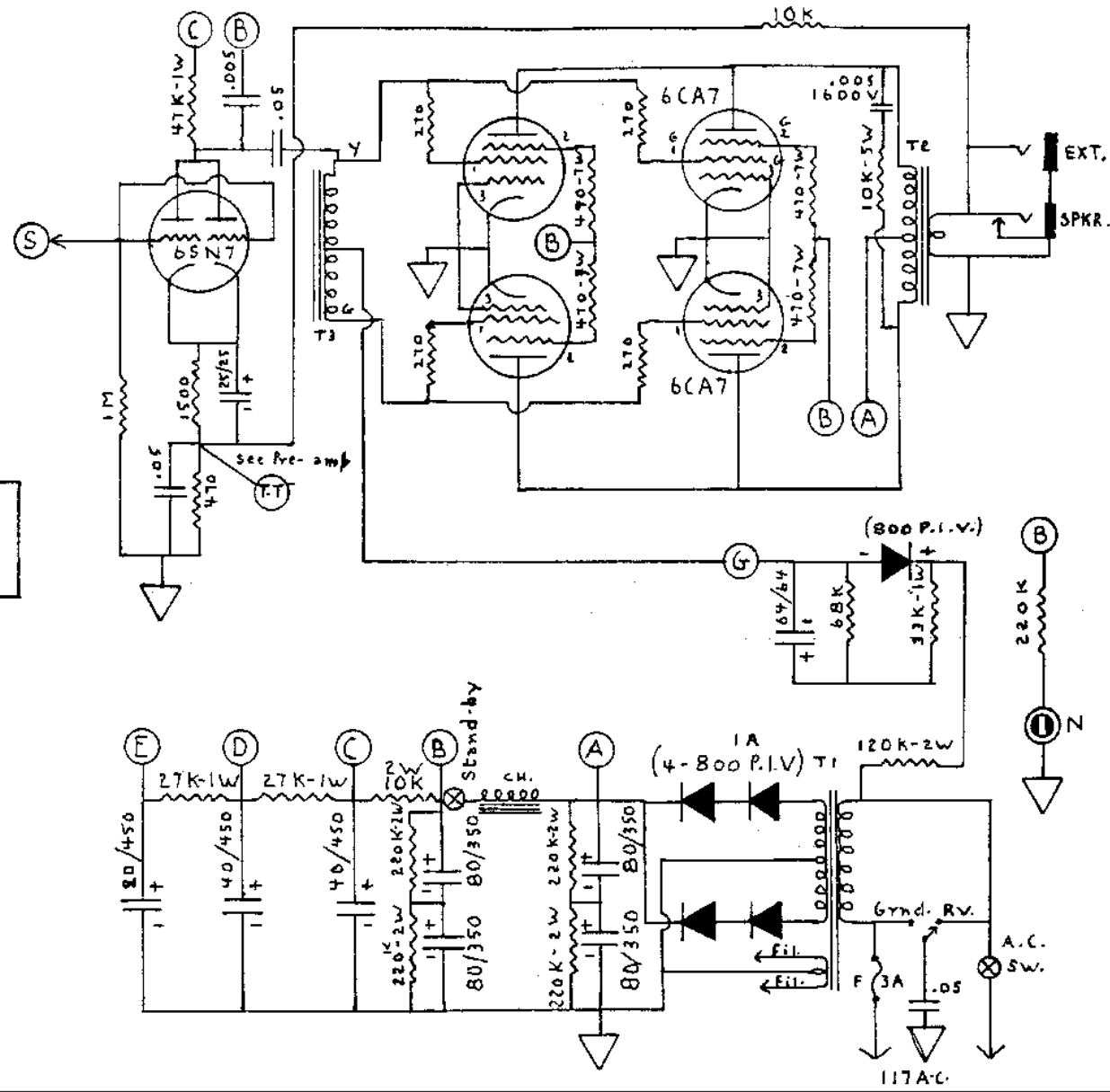


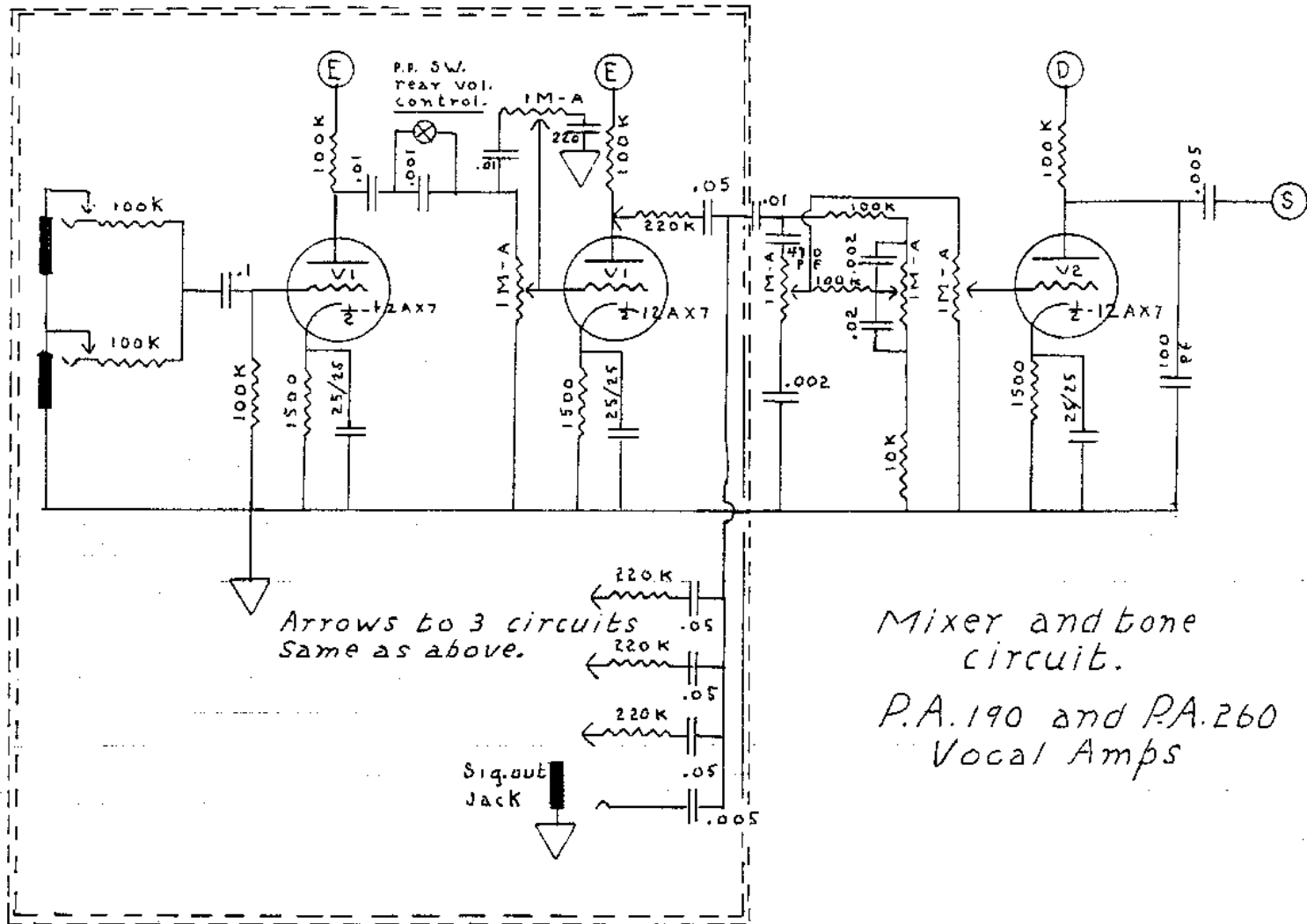
T1 6K3025
 T2 3K0803
 T3 11H8001

B.T.O.
P.A.260
Vocal.

Final Output
and
Power Supply

- (A) 505+
- (B) 505+
- (C) 425+
- (D) 325+
- (E) 255+
- (G) -44





Arrows to 3 circuits
Same as above.

Mixer and tone
circuit.
P.A. 190 and P.A. 260
Vocal Amps