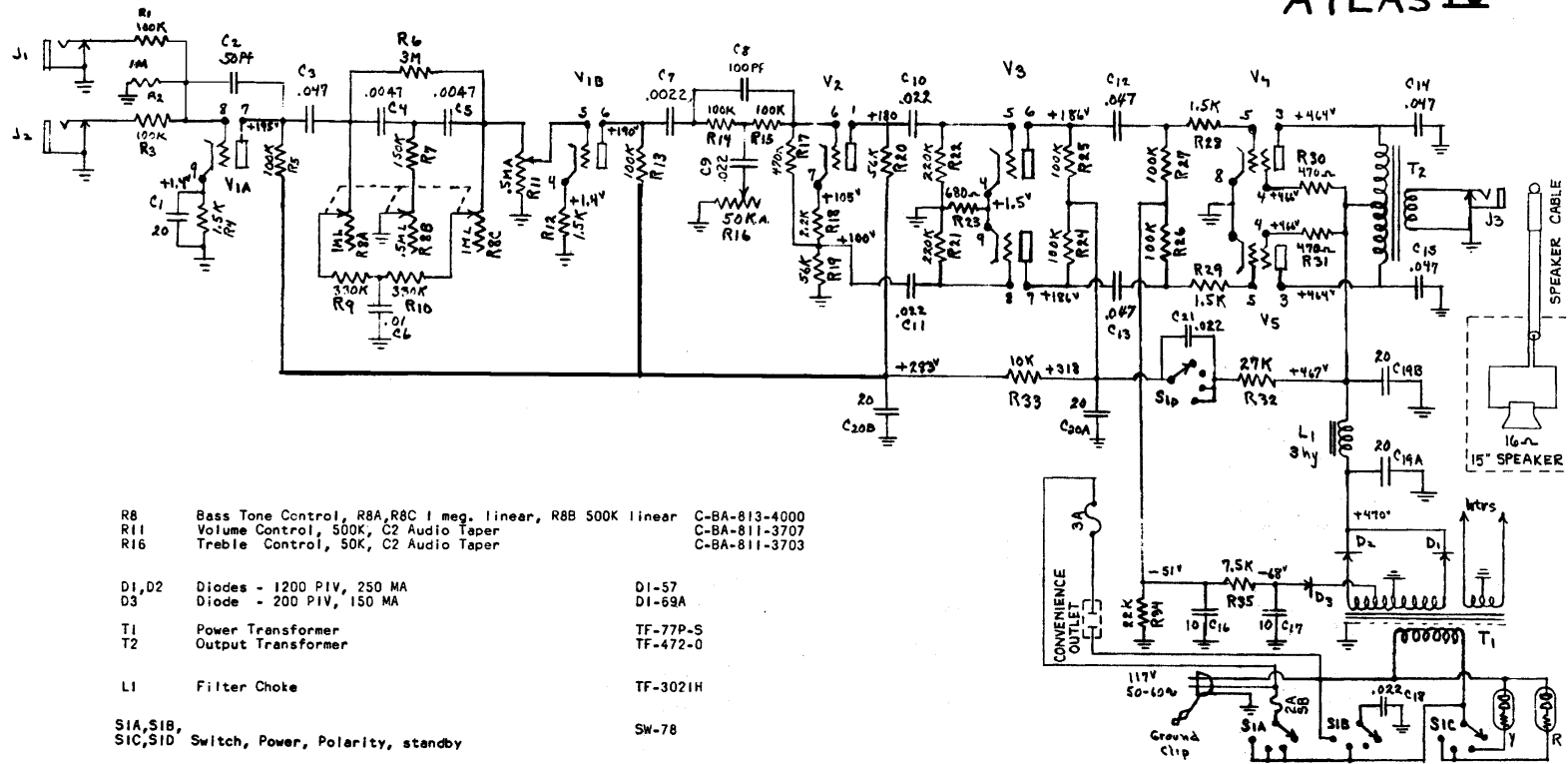
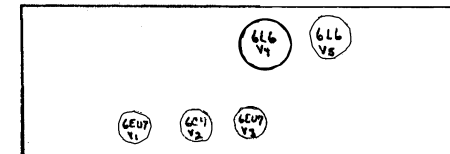


ATLAS IV



- | | | |
|---------------------|---|---------------|
| R8 | Bass Tone Control, R8A,R8C 1 meg. linear, R8B 500K linear | C-BA-813-4000 |
| R11 | Volume Control, 500K, C2 Audio Taper | C-BA-811-3707 |
| R16 | Treble Control, 50K, C2 Audio Taper | C-BA-811-3703 |
| D1,D2 | Diodes - 1200 PIV, 250 MA | DI-57 |
| D3 | Diode - 200 PIV, 150 MA | DI-69A |
| T1 | Power Transformer | TF-77P-S |
| T2 | Output Transformer | TF-472-0 |
| L1 | Filter Choke | TF-3021H |
| S1A,S1B,
S1C,S1D | Switch, Power, Polarity, standby | SW-78 |
| | 15" Speaker, 16 ohm, 40 cycle | S-0127 |



D.C. VOLTAGES TO CHASSIS WITH V.T.V.M. CAPACITORS IN MFD EXCEPT WHERE NOTED.

FUSE

The fuse used in this Amplifier is a type 3AG of three amperes rating
DO NOT USE FUSES OF HIGHER RATING

SERVICE

If the amplifier is in need of servicing, it should be taken to a reliable radio man. The electrical diagram in this folder should be shown the repairman to assist him in servicing the amplifier.