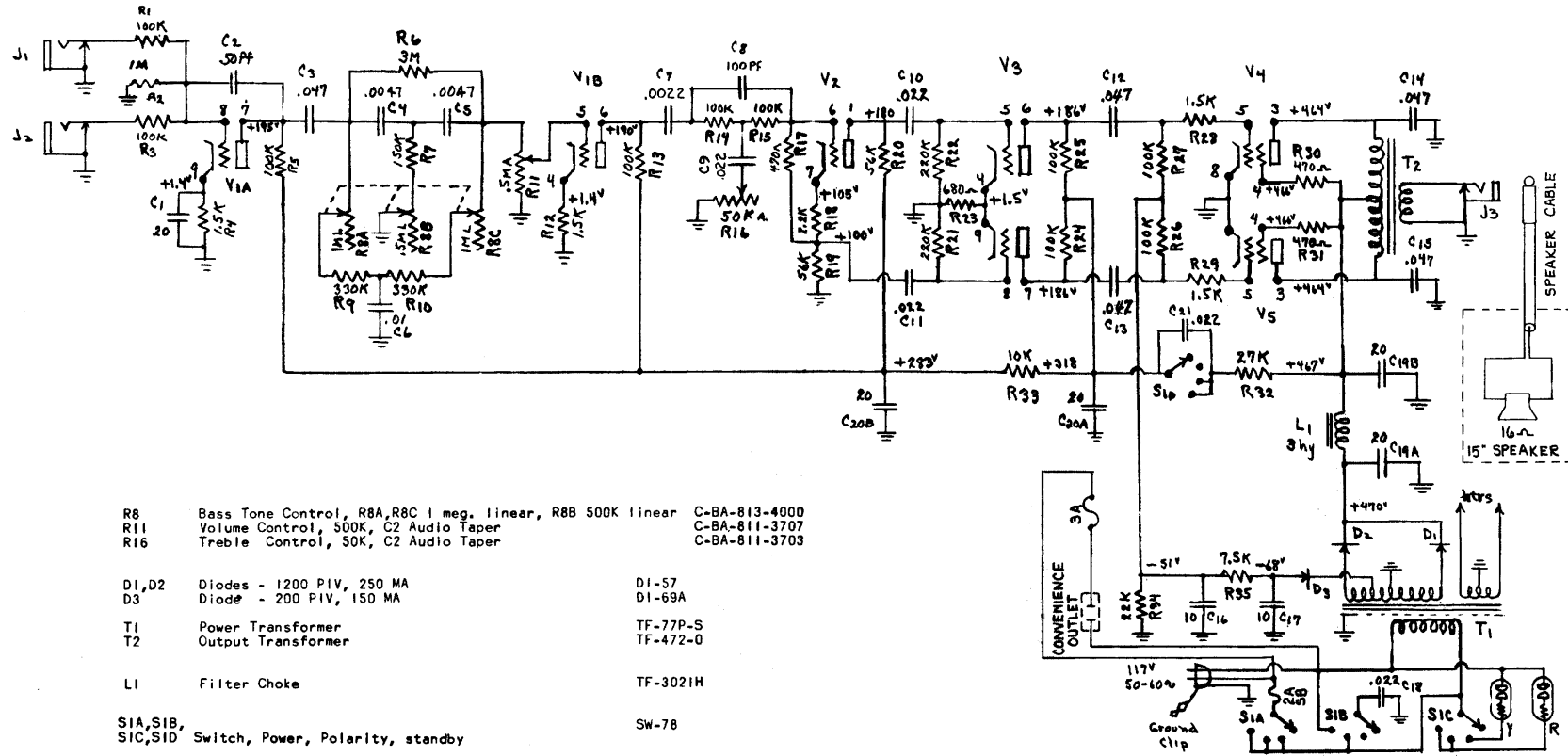


ATLAS MEDALIST



R8 Bass Tone Control, R8A,R8C 1 meg. linear, R8B 500K linear
 R11 Volume Control, 500K, C2 Audio Taper
 R16 Treble Control, 50K, C2 Audio Taper

D1,D2 Diodes - 1200 PIV, 250 MA
 D3 Diode - 200 PIV, 150 MA

T1 Power Transformer
 T2 Output Transformer

L1 Filter Choke

S1A,S1B, Switch, Power, Polarity, standby
 S1C,S1D

15" Speaker, 16 ohm, 40 cycle

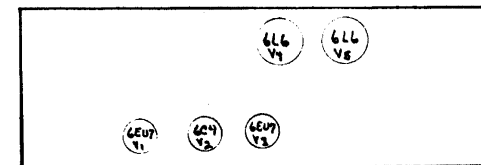
D1-S7
 D1-69A

TF-77P-S
 TF-472-0

TF-3021H

SW-78

S-0127



D.C. VOLTAGES TO CHASSIS WITH 4.5V.M.
 CAPACITORS IN MFD EXCEPT WHERE NOTED.