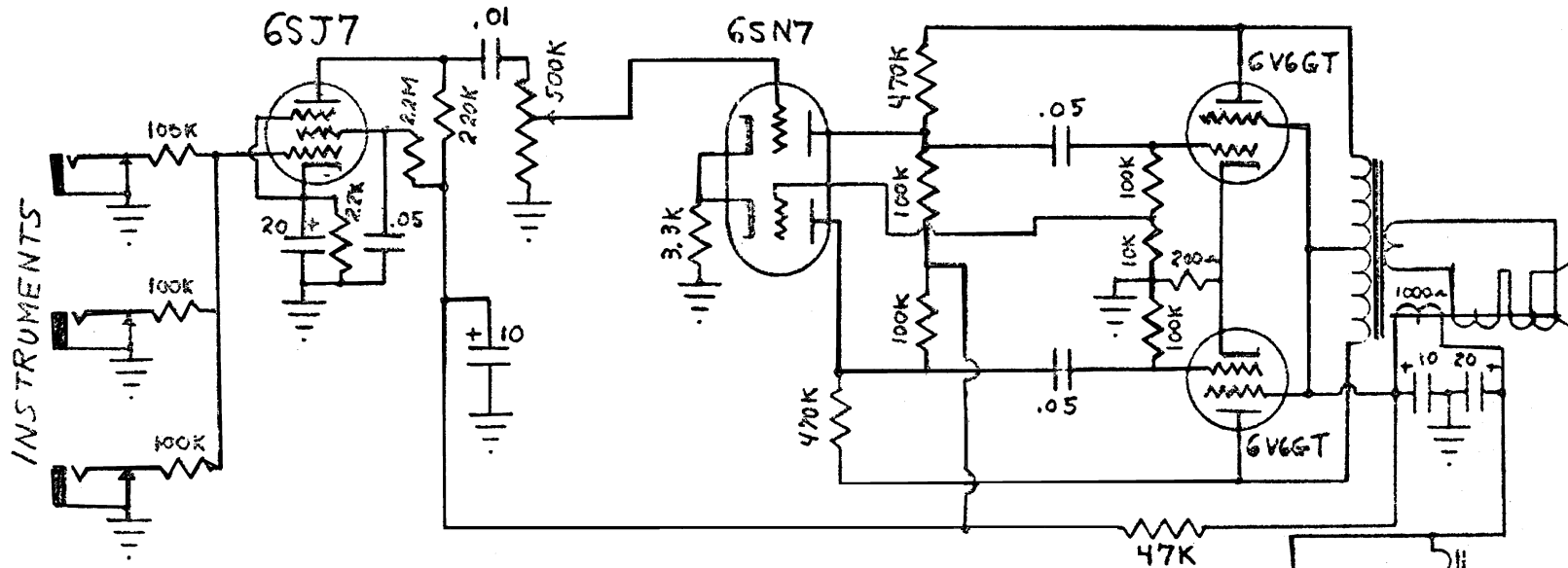
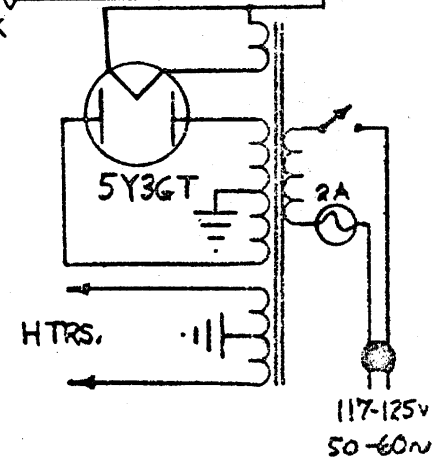
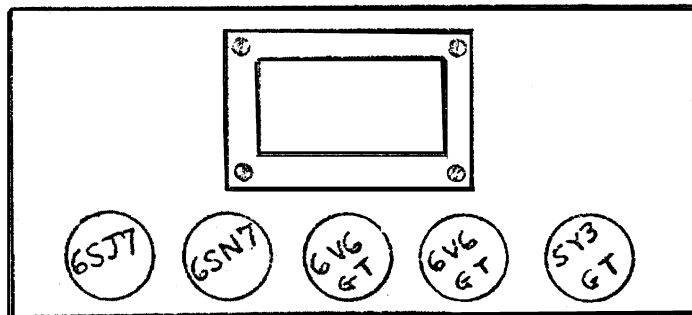


BR-6F



INSTRUMENTS

TUBE PLACEMENT CHART



GIBSON INC.	KALAMAZOO MICH	DATE: 11 OCT 1960	DRAWN BY: MCP	CHECKED BY:
-------------	----------------	-------------------	---------------	-------------