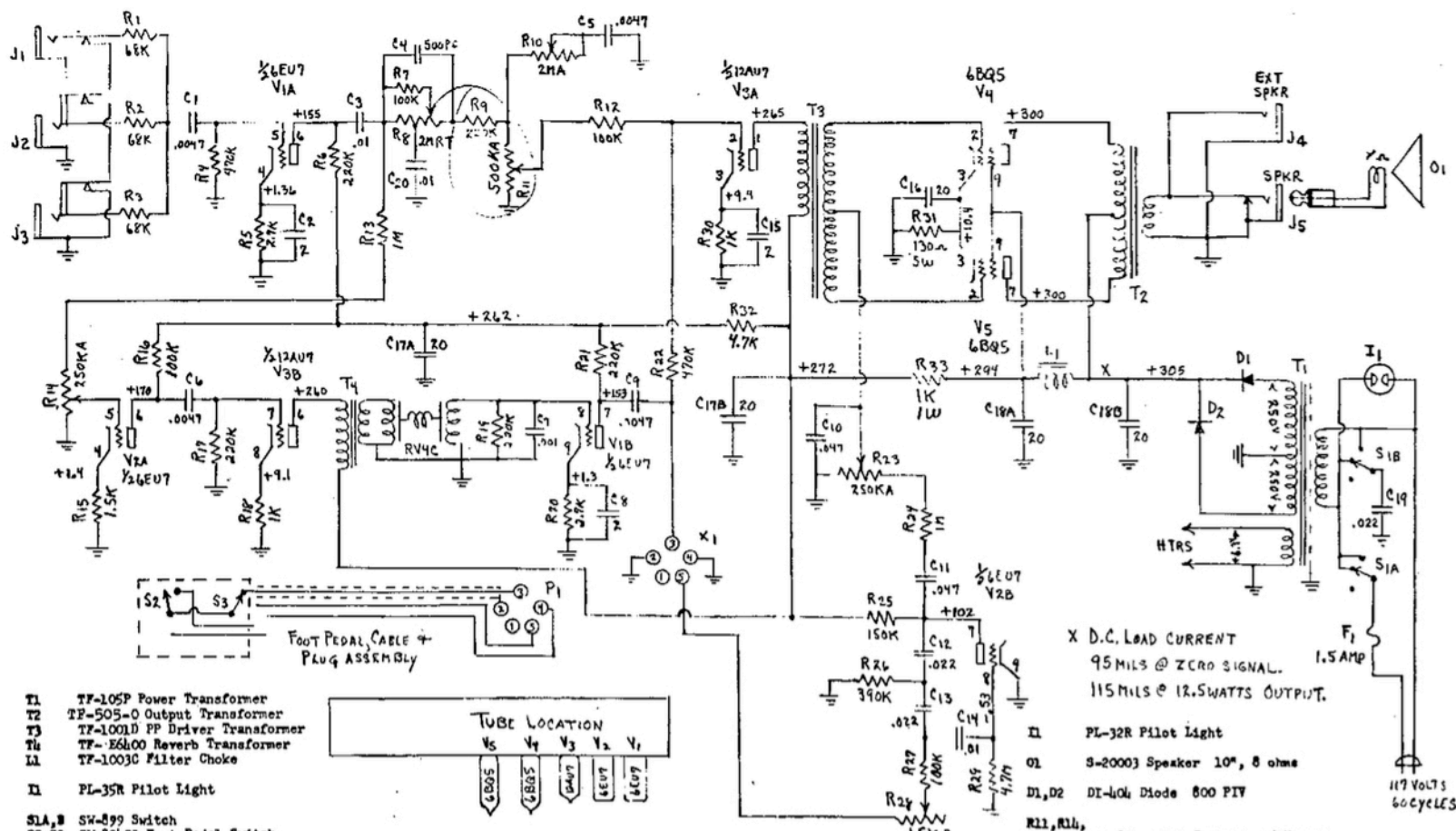
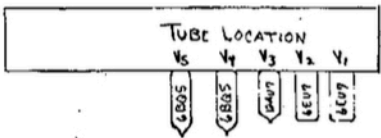


6A-15RVT



- T1 TF-105P Power Transformer
- T2 TF-505-0 Output Transformer
- T3 TF-1001D PP Driver Transformer
- T4 TF-1001D PP Driver Transformer
- T5 TF-1001D PP Driver Transformer
- T6 TF-1001D PP Driver Transformer
- T7 TF-1001D PP Driver Transformer
- T8 TF-1001D PP Driver Transformer
- T9 TF-1001D PP Driver Transformer
- T10 TF-1001D PP Driver Transformer
- T11 TF-1001D PP Driver Transformer
- T12 TF-1001D PP Driver Transformer
- T13 TF-1001D PP Driver Transformer
- T14 TF-1001D PP Driver Transformer
- T15 TF-1001D PP Driver Transformer
- T16 TF-1001D PP Driver Transformer
- T17 TF-1001D PP Driver Transformer
- T18 TF-1001D PP Driver Transformer
- T19 TF-1001D PP Driver Transformer
- T20 TF-1001D PP Driver Transformer
- T21 TF-1001D PP Driver Transformer
- T22 TF-1001D PP Driver Transformer
- T23 TF-1001D PP Driver Transformer
- T24 TF-1001D PP Driver Transformer
- T25 TF-1001D PP Driver Transformer
- T26 TF-1001D PP Driver Transformer
- T27 TF-1001D PP Driver Transformer
- T28 TF-1001D PP Driver Transformer
- T29 TF-1001D PP Driver Transformer
- T30 TF-1001D PP Driver Transformer
- T31 TF-1001D PP Driver Transformer
- T32 TF-1001D PP Driver Transformer
- T33 TF-1001D PP Driver Transformer
- T34 TF-1001D PP Driver Transformer
- T35 TF-1001D PP Driver Transformer
- T36 TF-1001D PP Driver Transformer
- T37 TF-1001D PP Driver Transformer
- T38 TF-1001D PP Driver Transformer
- T39 TF-1001D PP Driver Transformer
- T40 TF-1001D PP Driver Transformer
- T41 TF-1001D PP Driver Transformer
- T42 TF-1001D PP Driver Transformer
- T43 TF-1001D PP Driver Transformer
- T44 TF-1001D PP Driver Transformer
- T45 TF-1001D PP Driver Transformer
- T46 TF-1001D PP Driver Transformer
- T47 TF-1001D PP Driver Transformer
- T48 TF-1001D PP Driver Transformer
- T49 TF-1001D PP Driver Transformer
- T50 TF-1001D PP Driver Transformer
- T51 TF-1001D PP Driver Transformer
- T52 TF-1001D PP Driver Transformer
- T53 TF-1001D PP Driver Transformer
- T54 TF-1001D PP Driver Transformer
- T55 TF-1001D PP Driver Transformer
- T56 TF-1001D PP Driver Transformer
- T57 TF-1001D PP Driver Transformer
- T58 TF-1001D PP Driver Transformer
- T59 TF-1001D PP Driver Transformer
- T60 TF-1001D PP Driver Transformer
- T61 TF-1001D PP Driver Transformer
- T62 TF-1001D PP Driver Transformer
- T63 TF-1001D PP Driver Transformer
- T64 TF-1001D PP Driver Transformer
- T65 TF-1001D PP Driver Transformer
- T66 TF-1001D PP Driver Transformer
- T67 TF-1001D PP Driver Transformer
- T68 TF-1001D PP Driver Transformer
- T69 TF-1001D PP Driver Transformer
- T70 TF-1001D PP Driver Transformer
- T71 TF-1001D PP Driver Transformer
- T72 TF-1001D PP Driver Transformer
- T73 TF-1001D PP Driver Transformer
- T74 TF-1001D PP Driver Transformer
- T75 TF-1001D PP Driver Transformer
- T76 TF-1001D PP Driver Transformer
- T77 TF-1001D PP Driver Transformer
- T78 TF-1001D PP Driver Transformer
- T79 TF-1001D PP Driver Transformer
- T80 TF-1001D PP Driver Transformer
- T81 TF-1001D PP Driver Transformer
- T82 TF-1001D PP Driver Transformer
- T83 TF-1001D PP Driver Transformer
- T84 TF-1001D PP Driver Transformer
- T85 TF-1001D PP Driver Transformer
- T86 TF-1001D PP Driver Transformer
- T87 TF-1001D PP Driver Transformer
- T88 TF-1001D PP Driver Transformer
- T89 TF-1001D PP Driver Transformer
- T90 TF-1001D PP Driver Transformer
- T91 TF-1001D PP Driver Transformer
- T92 TF-1001D PP Driver Transformer
- T93 TF-1001D PP Driver Transformer
- T94 TF-1001D PP Driver Transformer
- T95 TF-1001D PP Driver Transformer
- T96 TF-1001D PP Driver Transformer
- T97 TF-1001D PP Driver Transformer
- T98 TF-1001D PP Driver Transformer
- T99 TF-1001D PP Driver Transformer
- T100 TF-1001D PP Driver Transformer



Serial Number
A-15,001 to

X D.C. LOAD CURRENT
95 MILS @ ZERO SIGNAL.
115 MILS @ 12.5 WATTS OUTPUT.

- I1 PL-32R Pilot Light
- O1 S-2000J Speaker 10", 8 ohms
- D1, D2 DI-404 Diode 800 PIV
- R11, R11a, R23 CBA-811-3701 Control 250K Audio
- R10 CBA-811-3702 Control 2 meg Audio
- R28 CBA-811-3711 Control 1.5 meg RA
- R8 CBA-813-222 Control 2 meg, RA tapped

XERO COPY