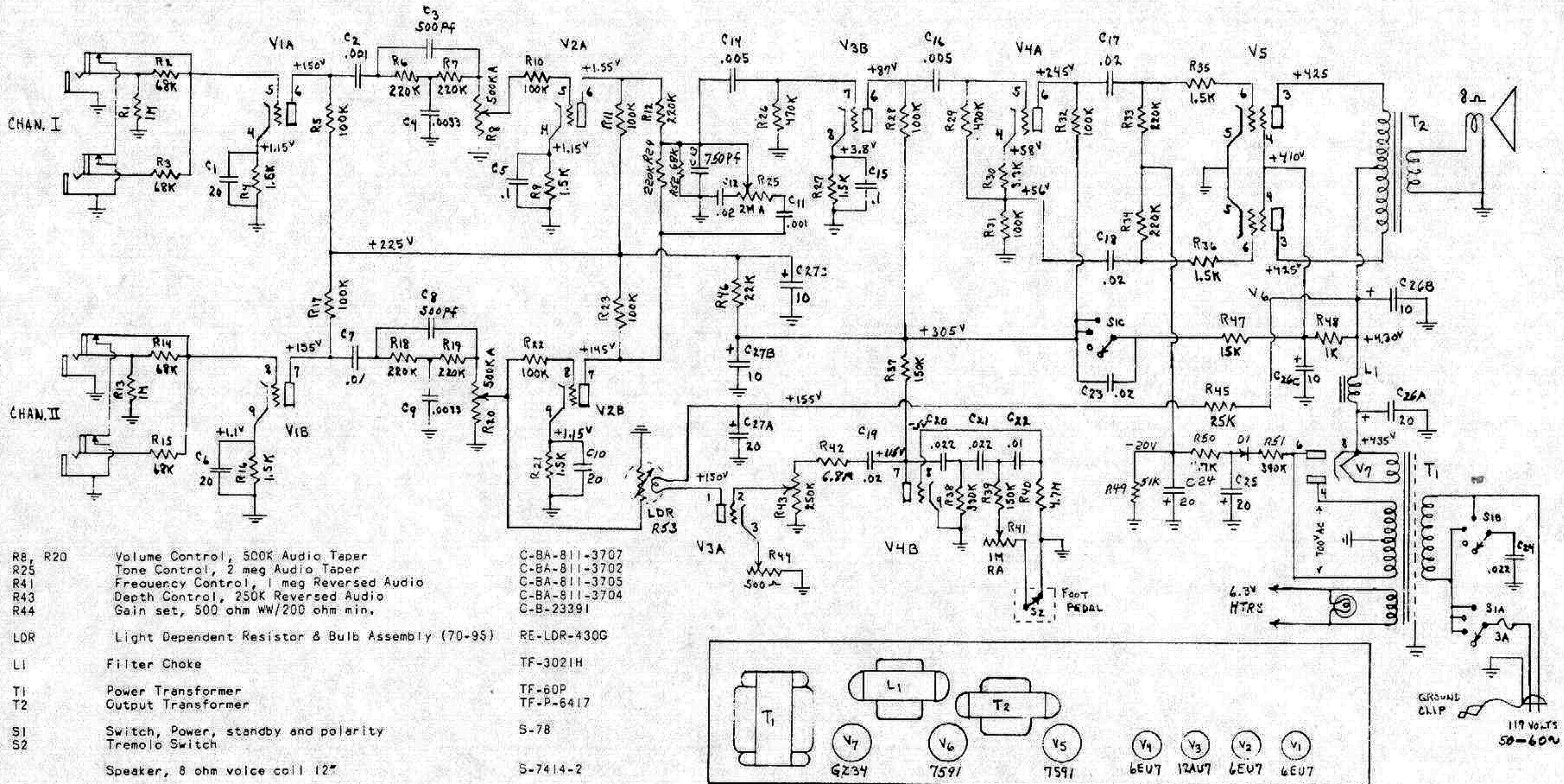
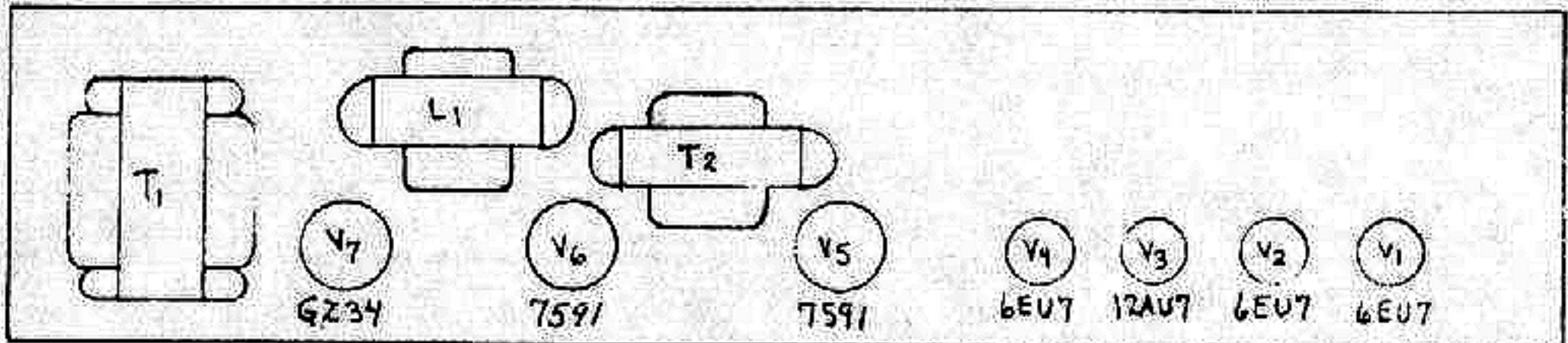


GA-40T



- | | | |
|---------|--|---------------|
| R8, R20 | Volume Control, 500K Audio Taper | C-BA-811-3707 |
| R25 | Tone Control, 2 meg Audio Taper | C-BA-811-3702 |
| R41 | Frequency Control, 1 meg Reversed Audio | C-BA-811-3705 |
| R43 | Depth Control, 250K Reversed Audio | C-BA-811-3704 |
| R44 | Gain set, 500 ohm WW/200 ohm min. | C-B-23391 |
| LDR | Light Dependent Resistor & Bulb Assembly (70-95) | RE-LDR-430G |
| L1 | Filter Choke | TF-3021H |
| T1 | Power Transformer | TF-60P |
| T2 | Output Transformer | TF-P-6417 |
| S1 | Switch, Power, standby and polarity | S-78 |
| S2 | Tremolo Switch | S-7414-2 |
| | Speaker, 8 ohm voice coil 12" | |



117 VOLTS
50-60 Hz