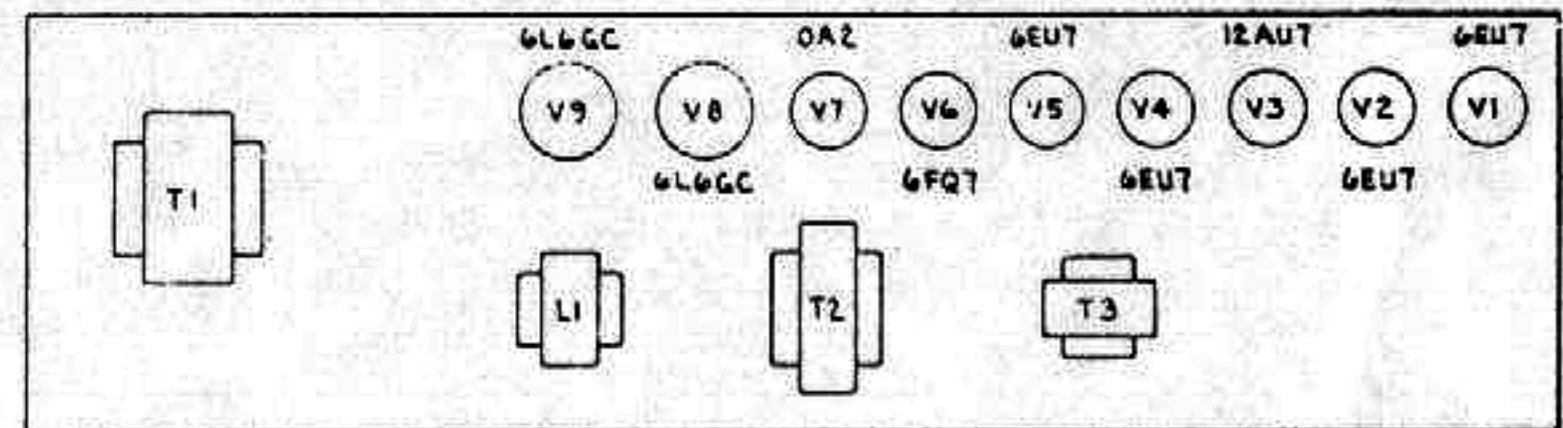
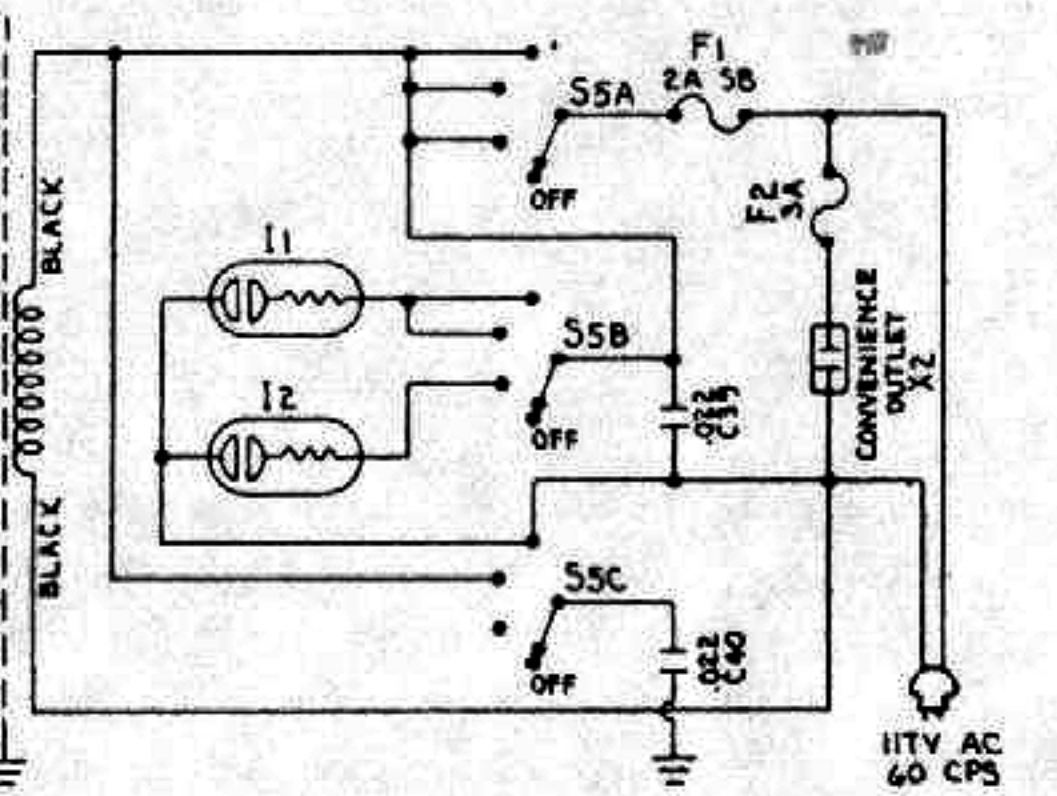
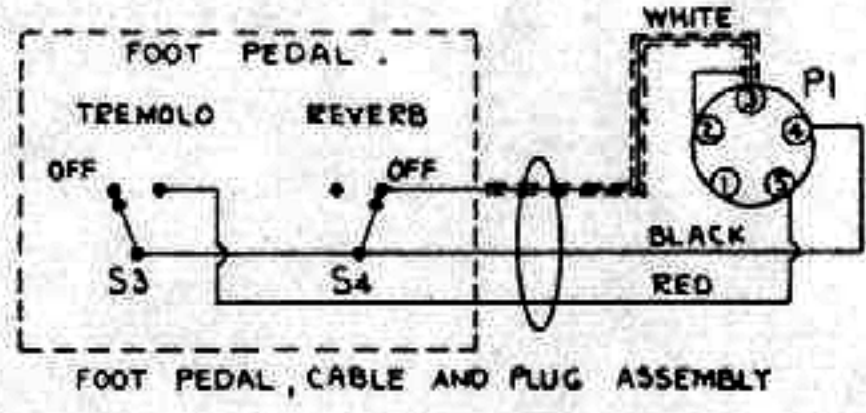
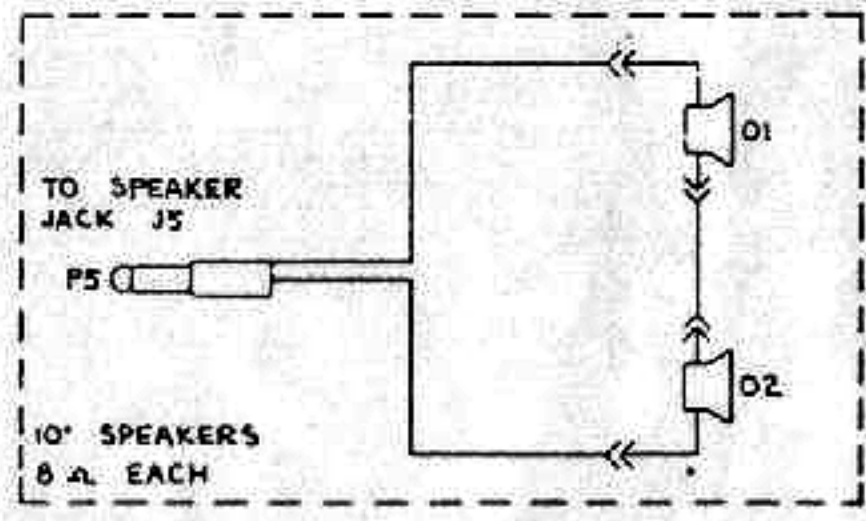
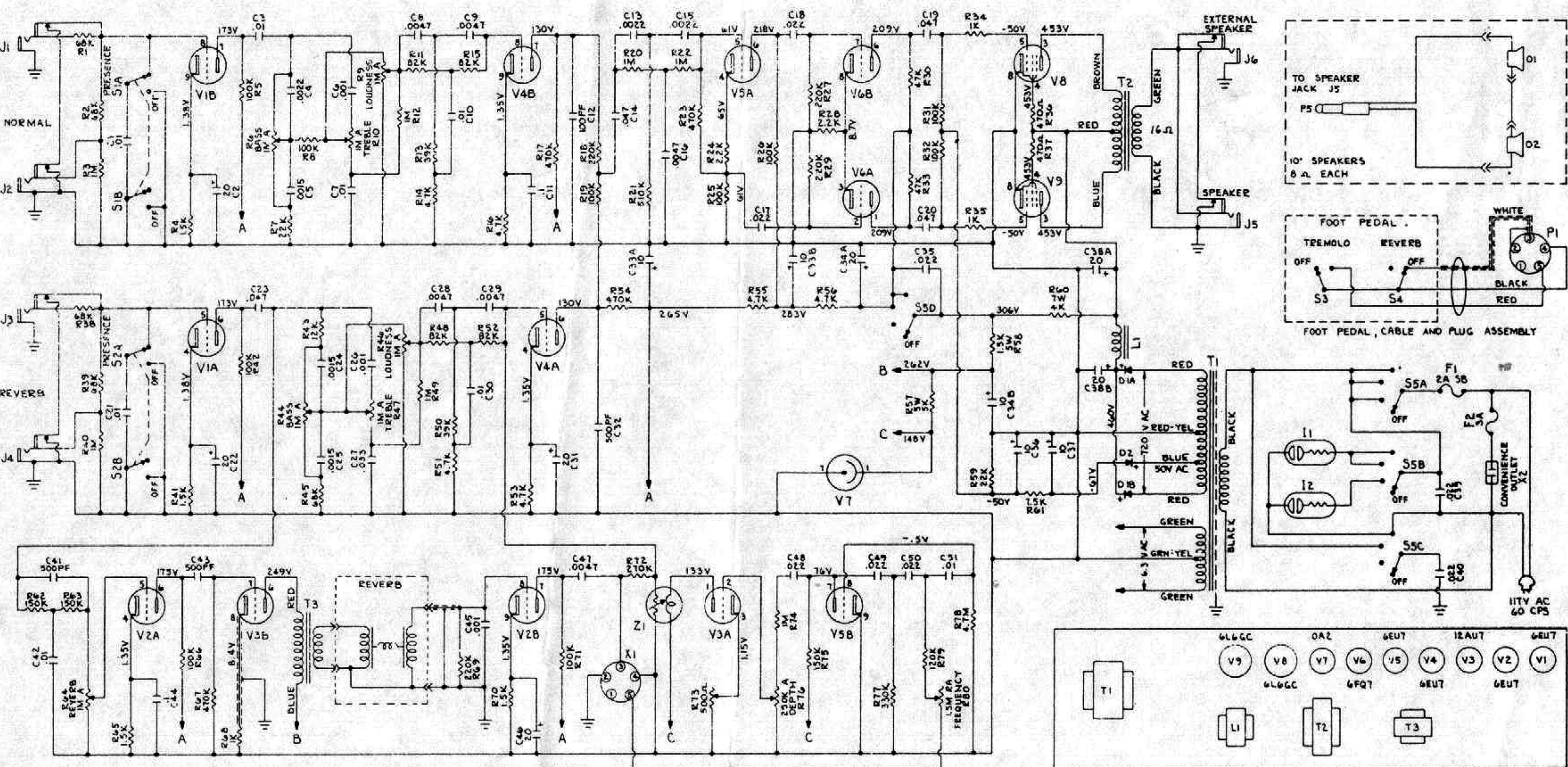


# GA-45RVT



- |               |                          |           |          |                                   |              |
|---------------|--------------------------|-----------|----------|-----------------------------------|--------------|
| T1            | Power Transformer        | TF-1775   | R76      | Control - 250K, A (Depth)         | 6BA-111-1701 |
| T2            | Output Transformer       | TF-501-45 | R77, R78 | Control - 1 meg, A (Bass, Treble) | 6BA-111-1709 |
| T3            | Screen Transformer       | TF-1440K  | R79      | Control - 1.5 meg, NA (Freq)      | 6BA-111-1711 |
| L1            | Filter Choke             | TF-1141H  | Z1       | Control - 500 ohm, (W/mu stop)    | 2B-23191     |
| S5A, S5B, S5C | Switch - polarity        | 3W-75A    |          | Light Dependent Resistor          | LDR-570      |
| S1A, S2A, S3A | Switches - DPDT Blue     | 3W-129    |          | 10", 8 ohm Speakers               | 8-20005      |
| S1B, S2B, S3B | Switches - SPST          | 3W-210J   |          |                                   |              |
| PL            | Pilot Light (Amber) Neon | PL-12A    | O1, O2   |                                   |              |
| RD            | Pilot Light (Red) Neon   | PL-12R    |          |                                   |              |
| D1A, B        | Diode - 1200 PIV, 250 MA | D1-F1     |          |                                   |              |
| D2            | Diode - 200 PIV, 1 A D   | D1-405    |          |                                   |              |