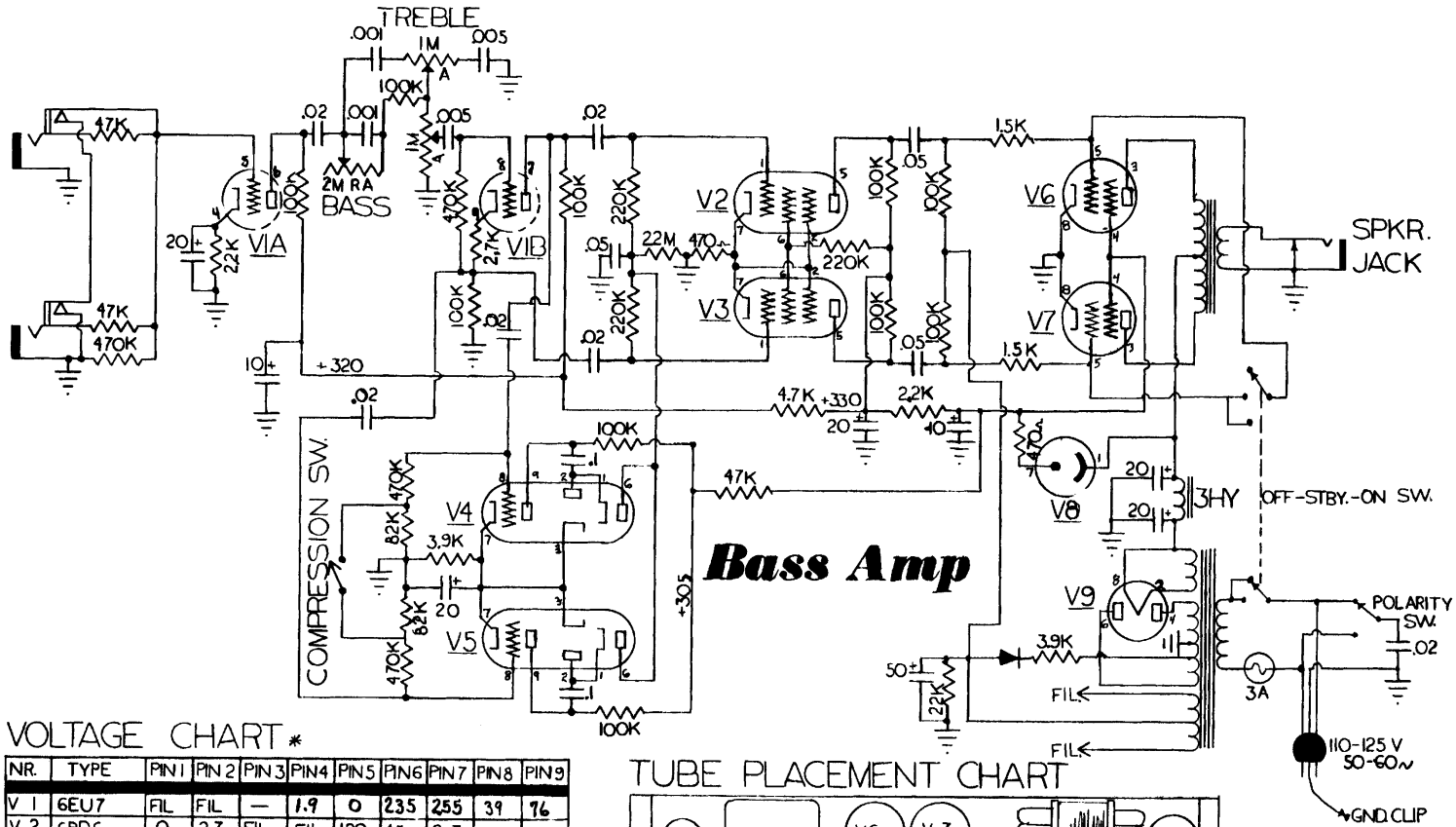


GA-100



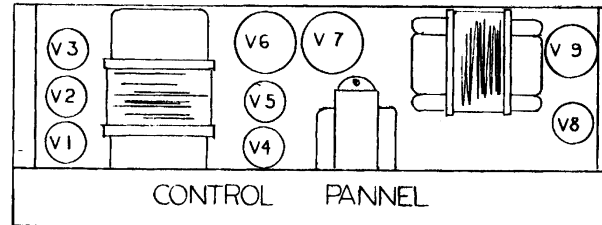
Bass Amp

VOLTAGE CHART *

NR.	TYPE	PIN1	PIN2	PIN3	PIN4	PIN5	PIN6	PIN7	PIN8	PIN9
V 1	6EU7	FIL	FIL	—	1.9	0	235	255	39	76
V 2	6BD6	0	2.7	FIL	FIL	120	45	2.7	—	—
V 3	6BD6	0	2.7	FIL	FIL	120	45	2.7	—	—
V 4	6FM8	1.6	1.6	3.8	FIL	FIL	0	3.8	0	260
V 5	6FM8	1.6	1.6	3.8	FIL	FIL	0	3.8	0	260
V 6	6L6 GC	GND	FIL	423	345	-38	—	FIL	GND	—
V 7	6L6 GC	GND	FIL	423	345	-38	—	FIL	GND	—
V 8	OC2	425	—	—	—	—	—	350	—	—
V 9	GZ 34	GND	FIL	—	350 _{ac}	—	350 _{ac}	—	430	—

* ALL DC VOLTAGES MEASURED TO CHASSIS WITH V.T.V.M.

TUBE PLACEMENT CHART



CONTROL PANNEL