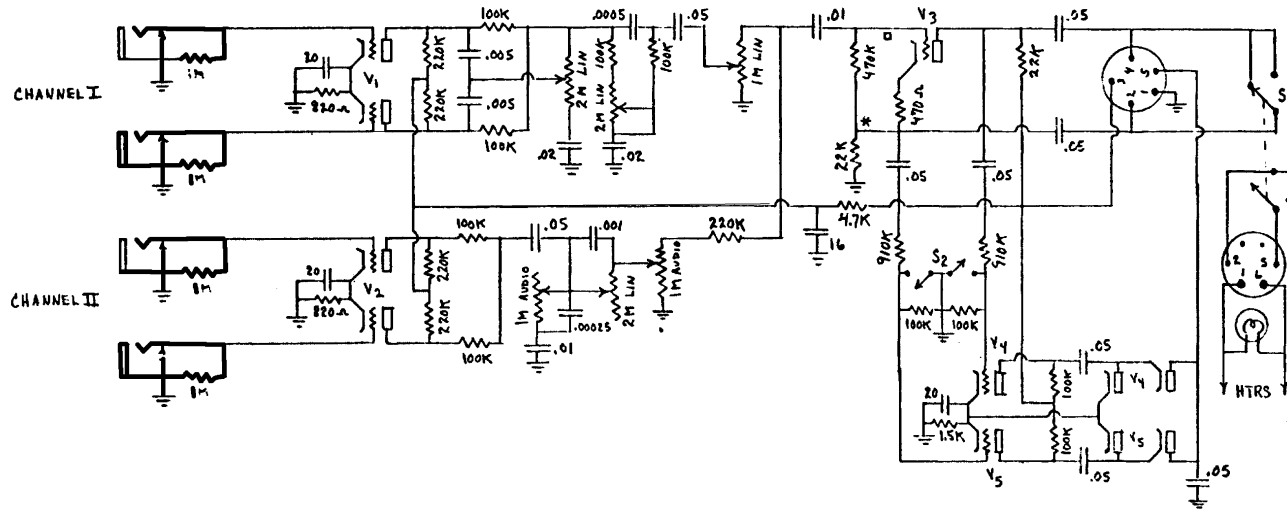


GA-200



Tube Type	use	E <sub>p</sub>	E <sub>sg</sub>	E <sub>g</sub>	E <sub>k</sub>
V1	12AX7 CHAN I PREAMP	+135	—	0	+1.15
V2	" " " "	+120	—	0	+1.1
V3	12AY7 PHASE SPLITTER	+210	—	0	+6.4
V4	6BJ8 COMP AMP + RECT	+110	—	0	+4.9
V5	" " " "	+110	—	0	+4.9
V6	6SK7 DRIVER + COMP.	+145	+42	-1	+1.5
V7	" " " "	+145	+42	-1	+1.5
V8	6SS0 PWR AMP	+570	+300	+93	0
V9	" " " "	+570	+300	-33	0
V10	6V6 VOLTAGE REG	+570	+570	+285	+300
V11	6Z34 RECTIFIER	470' RHS	—	—	+580

ALL DC READINGS WITH II MEG VTVM MEASURED TO CHASSIS

