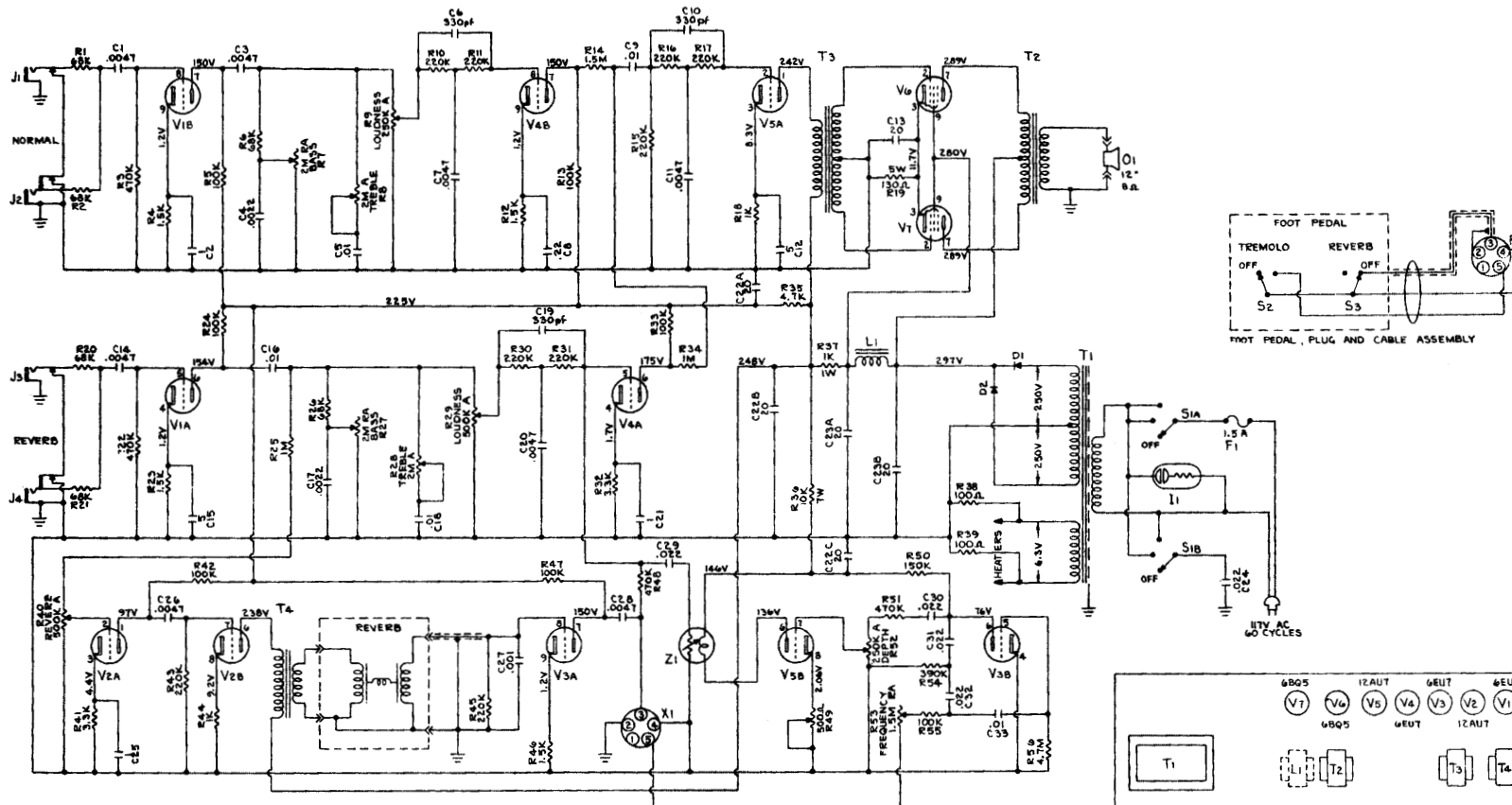


GA-20RVT



- | | | | | | |
|--------|-------------|---------------------------|----------|----------------|---|
| T1 | TF-105P-1 | Power Transformer | R9, R52 | CBA-4008 | Control - 250K, Audio (Loudness & Depth) |
| T2 | TF-501-0 | Output Transformer | R8, R28 | CBA-311-3702-1 | Control - 2 meg, Audio (Treble) |
| T3 | TF-100LD-1 | PF Driver Transformer | R29, R10 | CBA-1007 | Control - 500K, Audio (Loudness & Reverb) |
| T4 | TF-85400 | Reverb Transformer | R53 | CMA-311-3711-1 | Control - 1.5 meg, RA (Frequency) |
| L1 | TF-1003-C | Filter Choke | R7, R27 | CBA-F13-222-1 | Control - 2 meg, RA (Bass) |
| | | | R19 | CR-21391 | Control - 500 ohm, W |
| S1A, B | SW-899-1 | Switch - SPST Rotary | | | |
| S2, S3 | SW-02103 | Switches - SPST | | | |
| I1 | PL-35R | Pilot Light (Neon) w/clip | | | |
| X1 | CI-75PC3-5 | Foot Pedal Socket | | | |
| P1 | CM-91MFM-5L | Foot Pedal Plug | | | |
| D1, D2 | DI-404 | Diode - 800 PIV | | | |