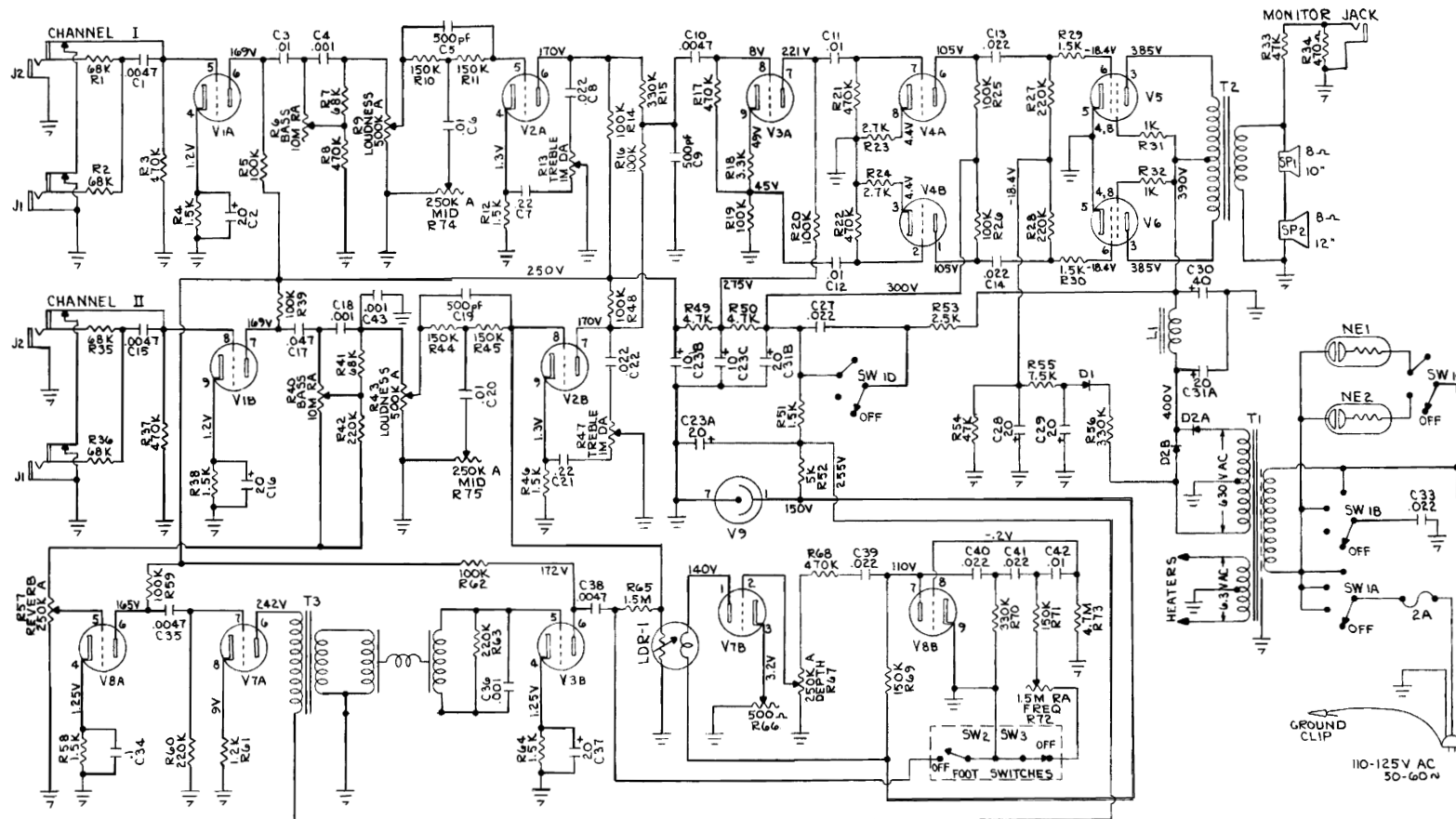


GA-30RVT



- SW-1A,1B,1C,1D Switch - off, standby, on-on Rotary
- SW-2,SW-3 Switches - push, push
- T1 Power Transformer
- T2 Output Transformer
- T3 Reverb Transformer
- L1 Filter Choke
- D1 Diode 600 PIV, 250 MA
- D2A,D2B Diode 1200 PIV, 250 MA
- R57,R67,R74,R75 Controls - 250K, C2 Audio (Reverb,Depth)
- R9,R43 Controls - 500K, C2 Audio (Loudness)
- R6,R4C Controls - 10 meg, C3 RA (Bass)
- R72 Control - 1.5 meg, C3 RA (Frequency)
- R13,R47 Controls - 1 meg - 30% RA (Treble)
- R66 Control - 500 ohm wire wound
- SW-78
- SW-82403
- TP-100P
- TP-P-6417-1
- TP-K-6400
- TP-3021-H
- DI-71B
- DI-57
- CBA-811-3701
- CBA-811-3707
- CBA-811-3710
- CBA-811-3711
- CBA-811-4001
- CB-23391

