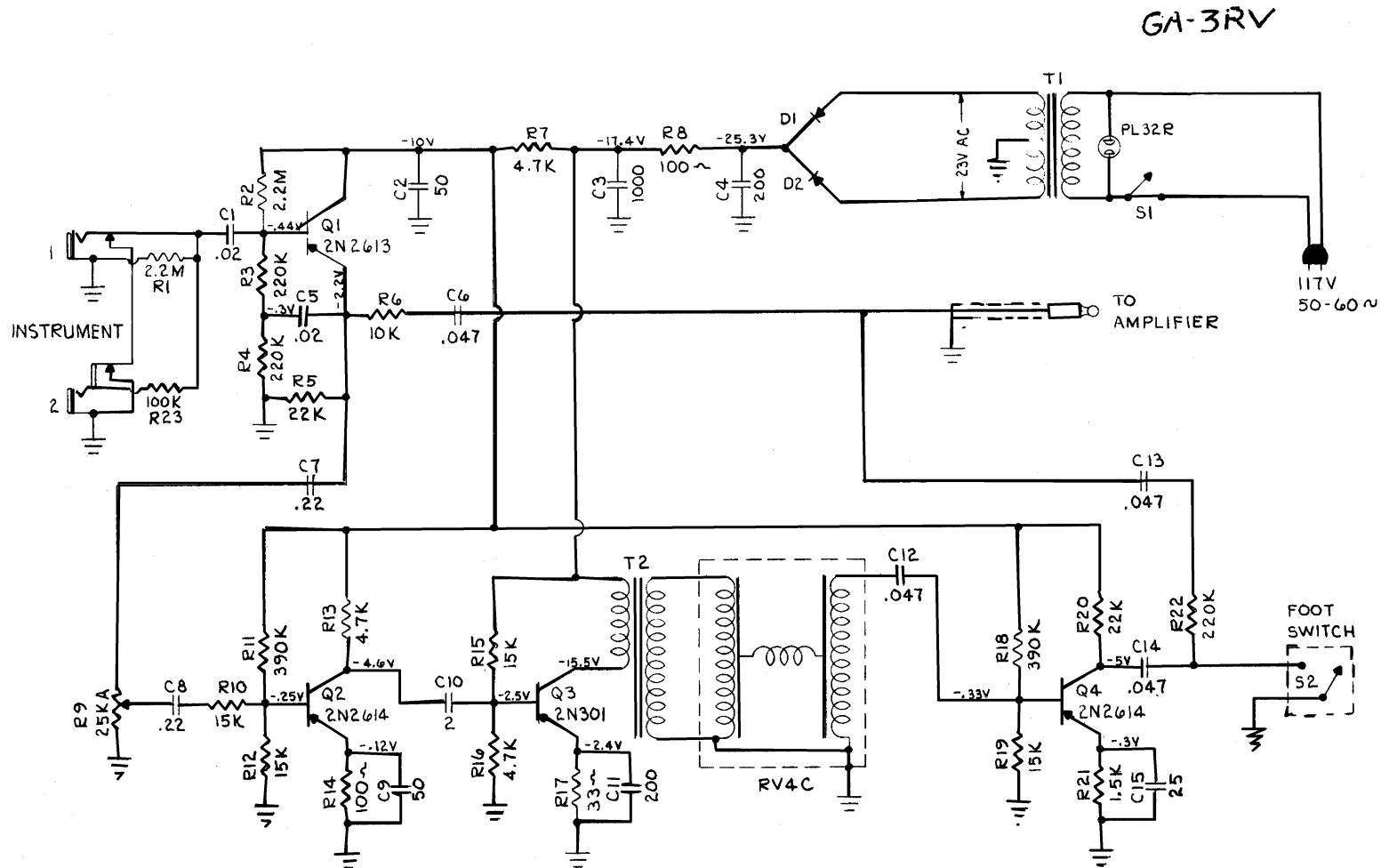


GA-3RV REVERB UNIT

Gibson



- | | | |
|--------|----------------------------|---------------|
| T1 | Power Transformer | TF-101P |
| T2 | Reverb. Transformer | TF-1000R |
| D1, D2 | Diodes, 200 PIV, 150 MA | DI-69A |
| R9 | 25K, Audio taper \pm 30% | CBA-811-371.2 |
| S1 | Switch, SPST Rotary | SW-898-1 |