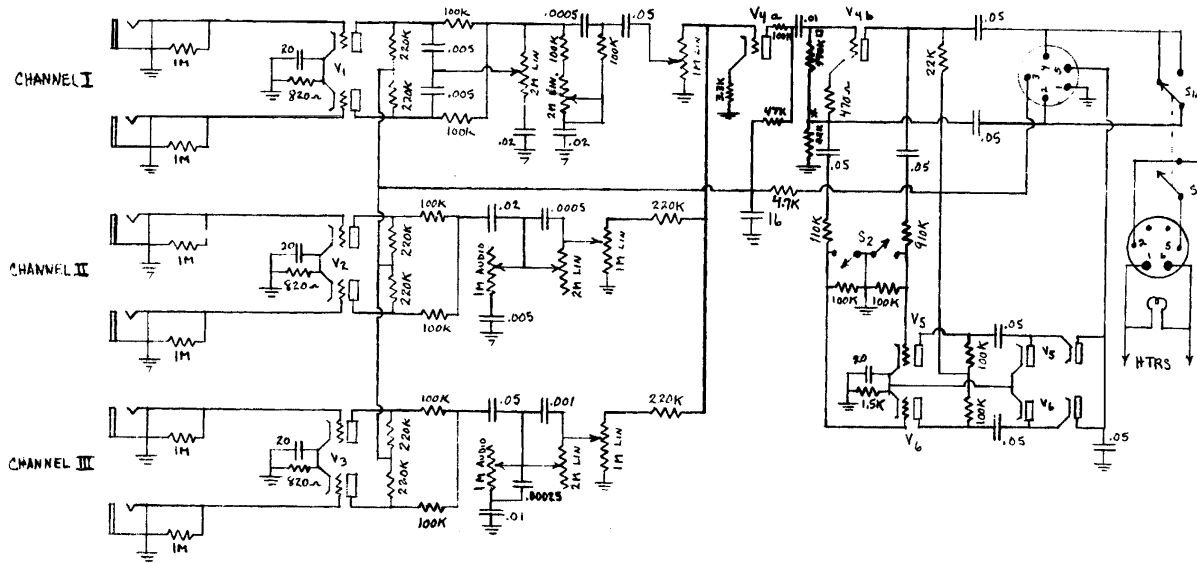


GA-400



Tube	Type	Use	$E_p$	$E_{c1}$	$E_{c2}$	$E_k$
V1	12AX7	CHAN. I PRE AMP	+195	—	0	+115
V2	"	" II " "	+110	—	0	+115
V3	"	" III " "	+105	—	0	+115
V4	12AY7	MIXER AMP	+135	—	0	+225
V5	6BJ6	COMP. AMP + RECT.	+110	—	0	+115
V6	"	" " " "	+110	—	0	+115
V7	6SK7	DRIVER	+145	+42	-1	+115
V8	"	"	+145	+42	-1	+115
V9	6550	PWR AMP	+570	+300	-33	0
V10	"	"	+570	+300	-33	0
V11	6V6	VOLTAGE REG.	+570	+570	+225	+300
V12	GZ3Y	RECTIFIER	470VMS	—	—	+590

ALL DC READINGS WITH 11 MEG VTVM MEASURED TO CHASSIS

