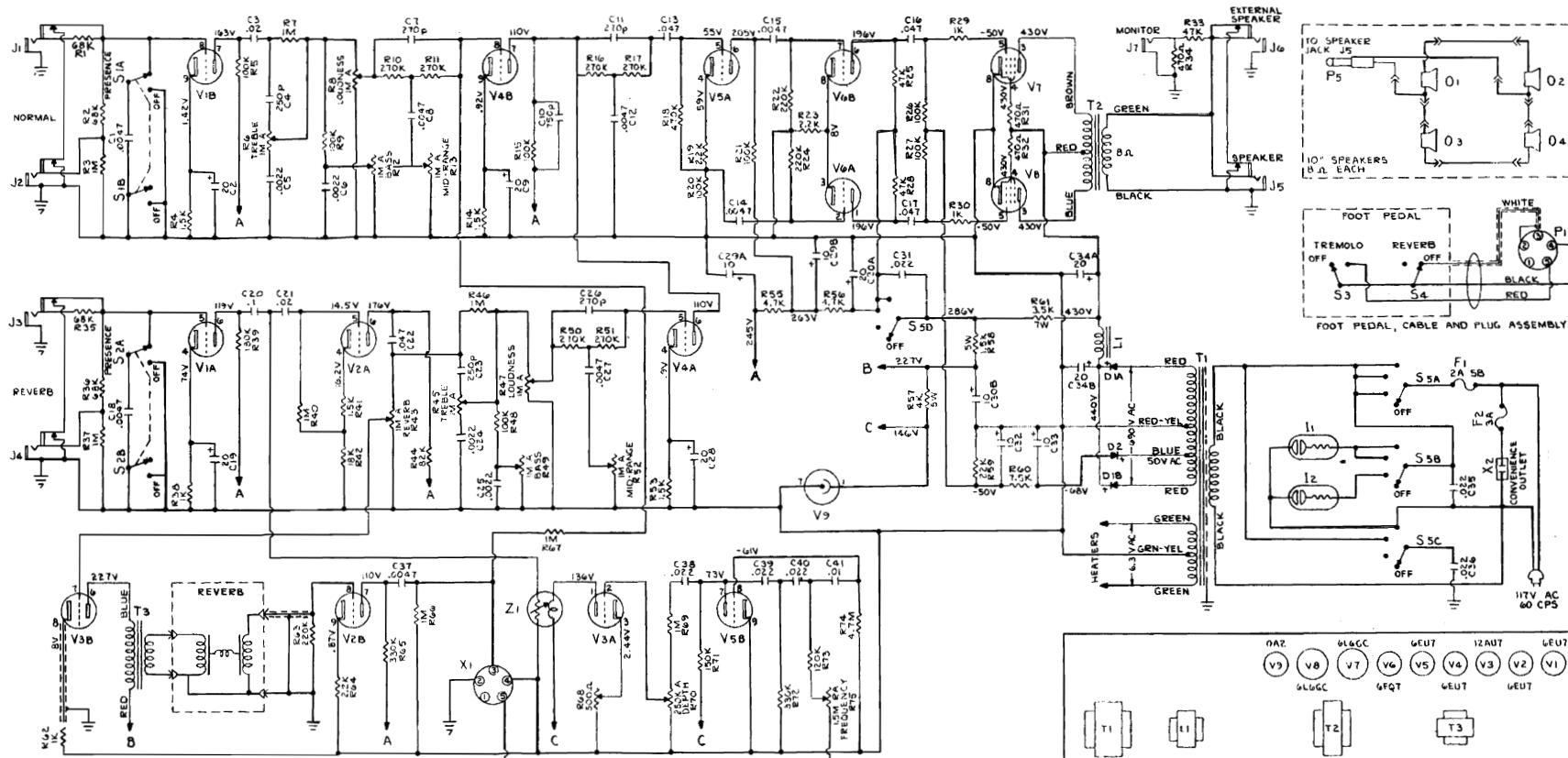


GA-55RVT



11	TP-7776 Power Transformer	13	GM-18PCB-5 Foot Pedal Socket
12	TP-502-0 Output Transformer	14	GM-303 IC Socket (Convenience Outlet)
13	TP-816-0 Lamp Transformer	15	DI-57 Diode - 1200 PIV, 250 MA
14	TP-30218 Pileup Choke	16	DI-605 Diode - 200 PIV, 1 Amp
15A,B	5M-127 500V Slide Switches	17	GM-4008 Control - 250K Audio (Depth)
15,C	5M-1202 100V Switches	18	ME-83,812,813
15A,B,C,D	5M-784-1 A.C. Switch	19	ME-83,812,813
16	PL-35A Pilot Light (Amber)	20	GM-811-3707-1 Control - 1 meg Audio (Tremolo, Reverb, Multi-Range, Rise, Intensity)
16	PL-37R Pilot Light (Red)	21	GM-811-3711-1 Control - 1.2 meg. NA (Peda.)
17	LMR-500 Light Dependent Resistor	22	GM-73371 Control - 500 ohm MW

