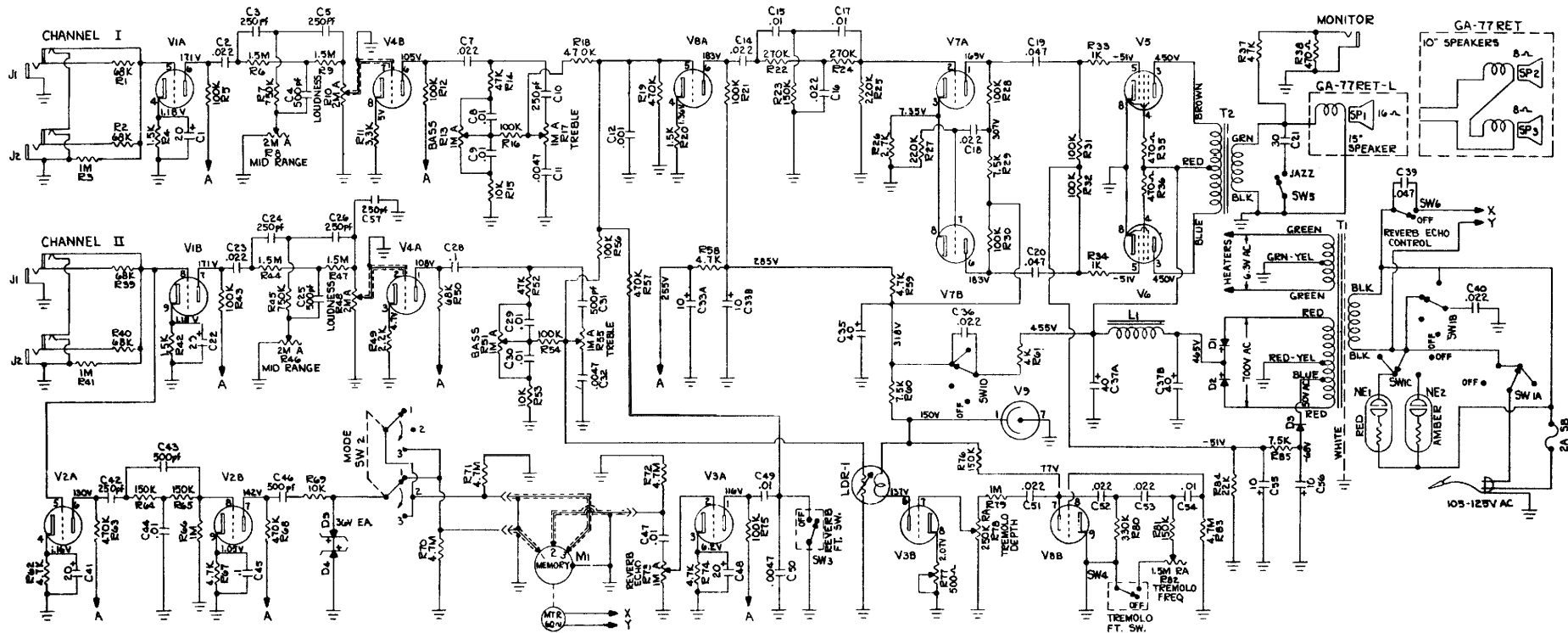


GA-77RET



- | | | | | | | |
|-----|---|------------|------------|------------|--|--------------|
| T1 | Power Transformer | T7-777B | 77-777B | 250-1 | Light Dependent Resistor | RP-12B-500 |
| T2 | Output Transformer | T7-300-01 | T7-300-01 | SP-1 | Speaker, 16 ohm, 15" | D-130P |
| L1 | Filter Choke | T7-3021B | T7-3021B | SP-2, SP-3 | Speaker, 8 ohm, 10" | S-2005 |
| M1 | Neon Pilot Light (Red) | PL-32R | PL-32R | D1, D2 | Diode, 1200 PIV, 250 MA | DI-57 |
| M2 | Neon Pilot Light (Amber) | PL-32A | PL-32A | D3 | Diode, 200 PIV, 150 MA | DI-69A |
| M3 | Memory | HT-9 | HT-9 | D4, D5 | Zener Diode, 36V, 1/40 W @ 2.5% | DI-40Z |
| SW1 | Switch - power & pole, 4 position | SW-120 | SW-120 | K77 | Control - 2 meg audio (Loudness & Mid-Range) | CM-611-370Z |
| SW2 | Switch - mode 2 pole, 3 position | SW-22003 | SW-22003 | | Control - 250K reversed audio (Depth) | CM-611-370A |
| SW3 | Switch - reverb foot SPD | SW-61045 | SW-61045 | | Control - 1 meg audio (Treble & Bass) | CM-611-370P |
| SW4 | Switch - tremolo foot SPD | CM-613-002 | CM-613-002 | | Control - 1.5 meg reversed audio (Frequency) | CM-611-371A |
| SW5 | Switch - jazz (channel #2 treble control) SPD | CM-613-002 | CM-613-002 | | Control - 1 meg 1/2W audio with SW | CM-613-371A |
| SW6 | Switch - reverb (reverb control) SPD | CM-613-002 | CM-613-002 | | power switch (Treble) (Reverse) | CM-613-4-002 |
| | | | | | Control - 500 ohm wire wound (no stop) | CM-3339A |

Note: Circuit ground located at input jacks.

