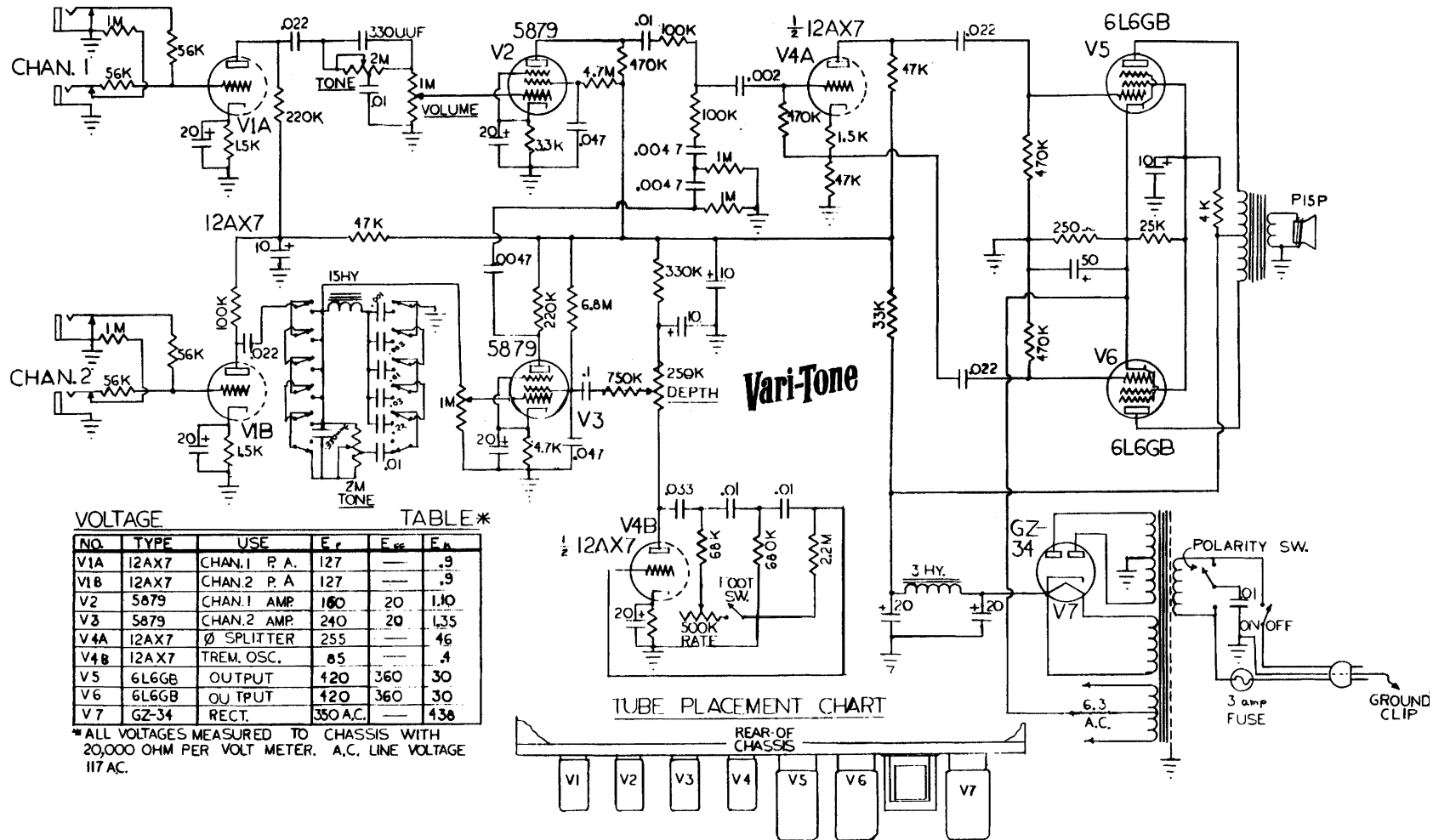


GA-80



VOLTAGE TABLE *

NO.	TYPE	USE	E_r	E_{g1}	E_{g2}
V1A	12AX7	CHAN. 1 P. A.	127	—	.9
V1B	12AX7	CHAN. 2 P. A.	127	—	.9
V2	5879	CHAN. 1 AMP.	160	20	1.10
V3	5879	CHAN. 2 AMP.	240	20	1.35
V4A	12AX7	Ø SPLITTER	255	—	.46
V4B	12AX7	TREM. OSC.	85	—	.4
V5	6L6GB	OUTPUT	420	360	30
V6	6L6GB	OUTPUT	420	360	30
V7	GZ-34	RECT.	350 A.C.	—	436

* ALL VOLTAGES MEASURED TO CHASSIS WITH 20,000 OHM PER VOLT METER. A.C. LINE VOLTAGE 117 AC.

TUBE PLACEMENT CHART

