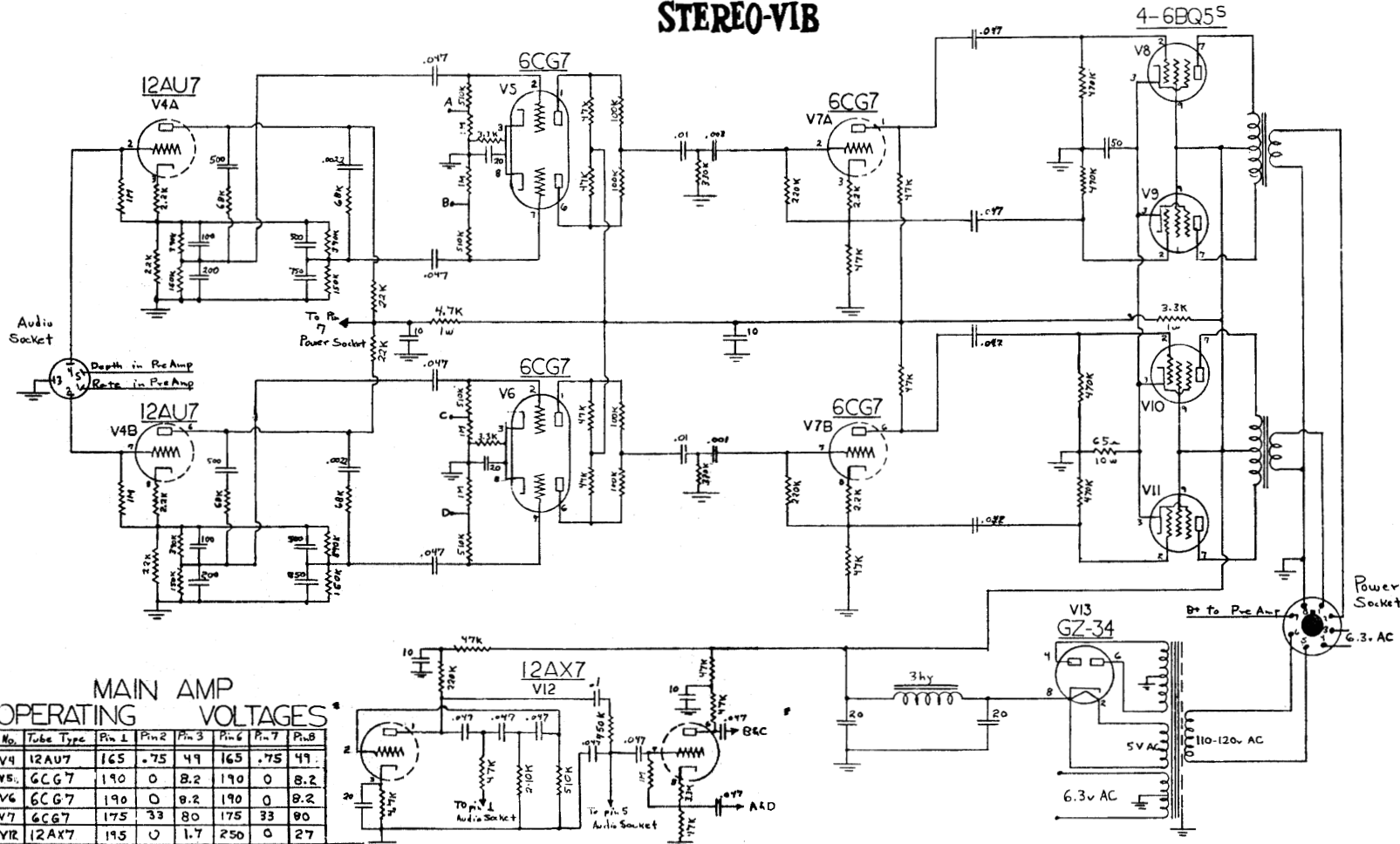


STEREO-VIB



MAIN AMP OPERATING VOLTAGES

No.	Tube Type	Pin 1	Pin 2	Pin 3	Pin 6	Pin 7	Pin 8
V4	12AU7	165	.75	49	165	.75	49
V5	6CG7	190	0	8.2	190	0	8.2
V6	6CG7	190	0	8.2	190	0	8.2
V7	6CG7	175	33	80	175	33	80
V12	12AX7	195	0	1.7	250	0	27
		Pin 2	Pin 3	Pin 4	Pin 6	Pin 7	Pin 8
V8	6BQ5	0	10.8	—	—	308	—
V9	6BQ5	0	10.8	—	—	308	—
V10	6BQ5	0	10.8	—	—	308	—
V11	6BQ5	0	10.8	—	—	308	—
V13	GZ-34	5 AC	—	310 AC	310 AC	—	322

*ALL DC VOLTAGES MEASURED TO CHASSIS WITH 20000 OHM PER VOLT METER.

(- JUNE 1959 -)
GIVE TO KEITH L.