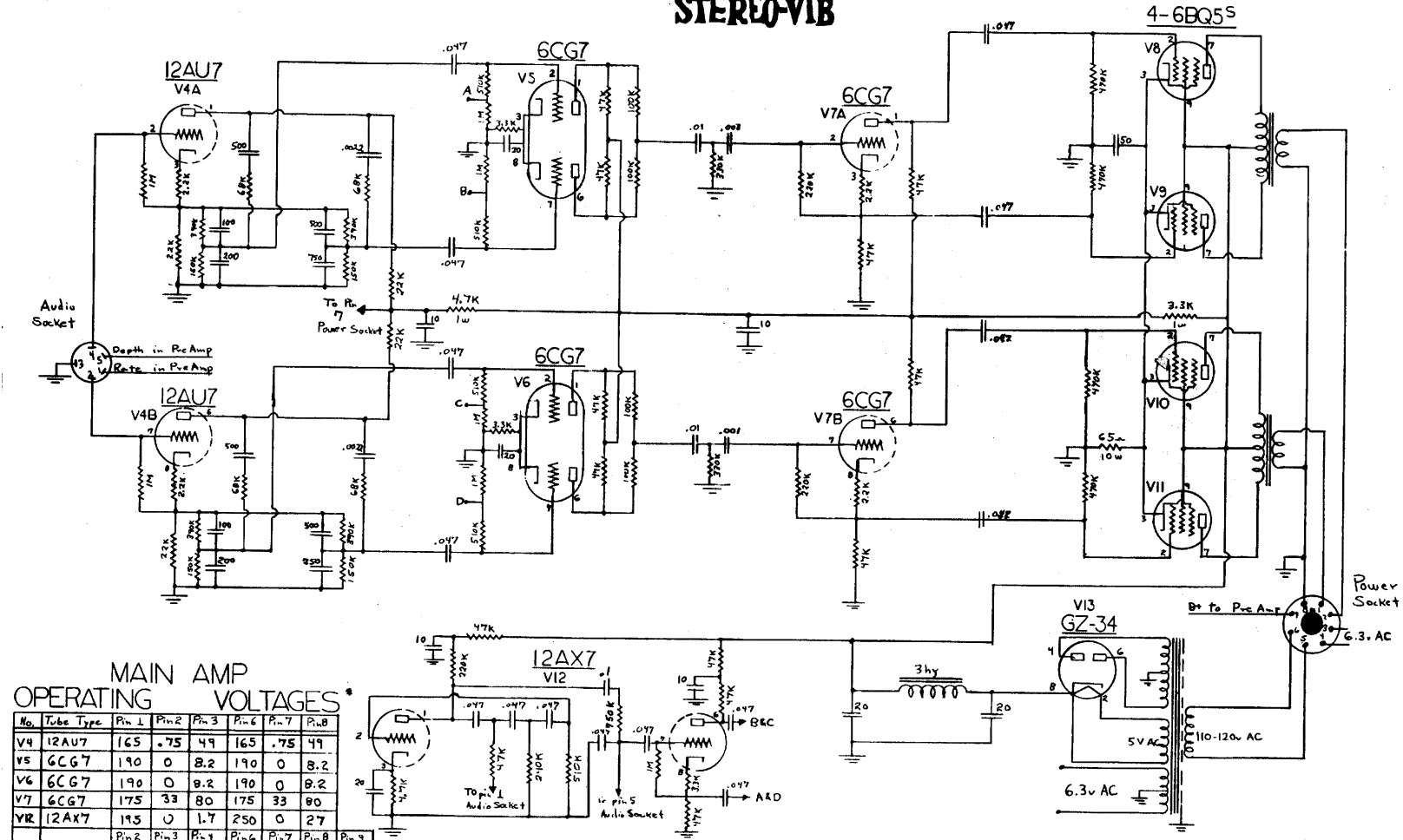


GA-83S STEREO-VIB



MAIN AMP OPERATING VOLTAGES

No.	Tube Type	Pin 1	Pin 2	Pin 3	Pin 6	Pin 7	Pin 8	
V4	12AU7	165	.75	49	165	.75	49	
V5	6CG7	190	0	8.2	190	0	8.2	
V6	6CG7	190	0	8.2	190	0	8.2	
V7	6CG7	175	33	80	175	33	80	
V12	12AX7	195	0	1.7	250	0	27	
		Pin 2	Pin 3	Pin 4	Pin 6	Pin 7	Pin 9	
V8	6BQ5	0	10.8	—	—	308	—	315
V9	6BQ5	0	10.8	—	—	308	—	315
V10	6BQ5	0	10.8	—	—	308	—	315
V11	6BQ5	0	10.8	—	—	308	—	315
V13	6Z-34	5 AC	—	310 AC	310 AC	—	—	322

*ALL DC VOLTAGES MEASURED TO CHASSIS WITH 20,000 OHM PER VOLT METER.