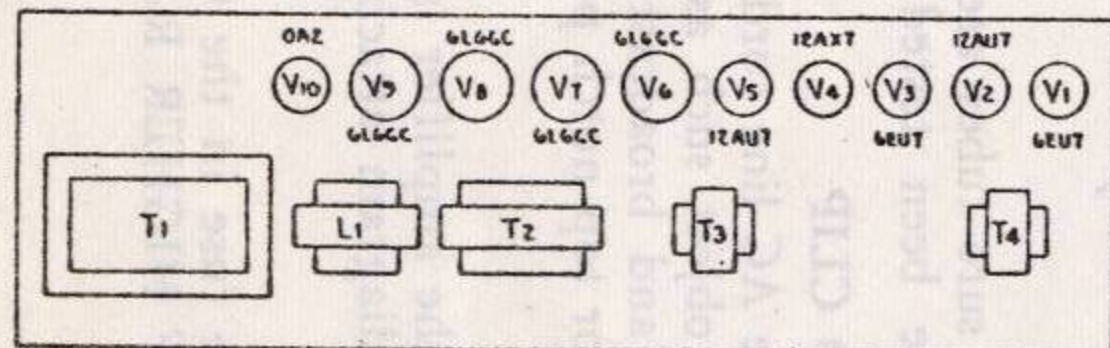
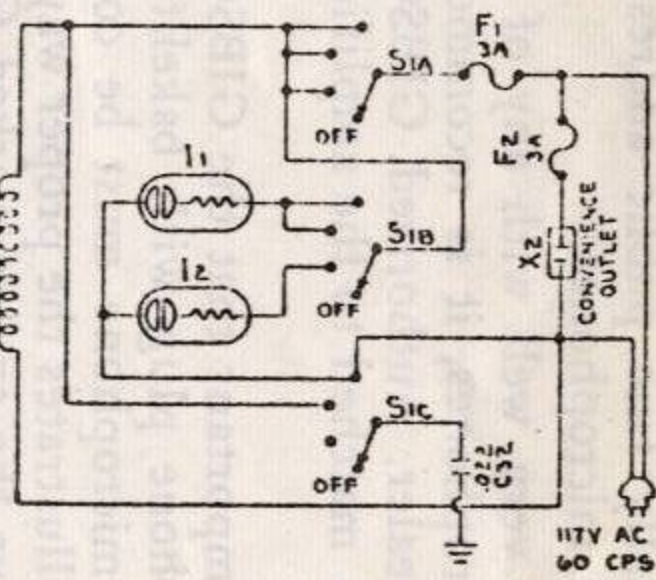
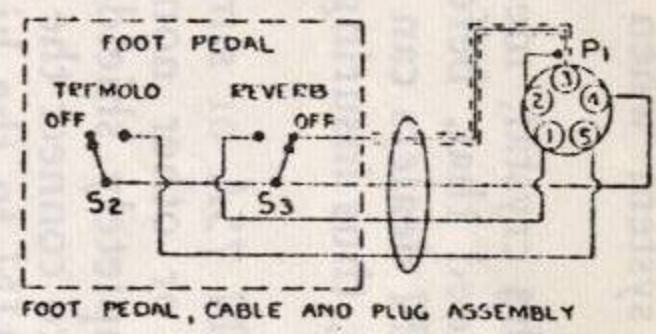
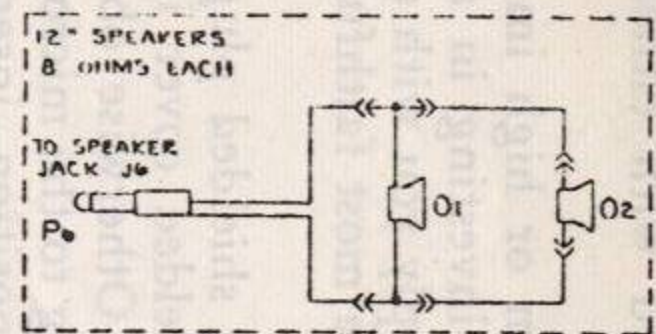
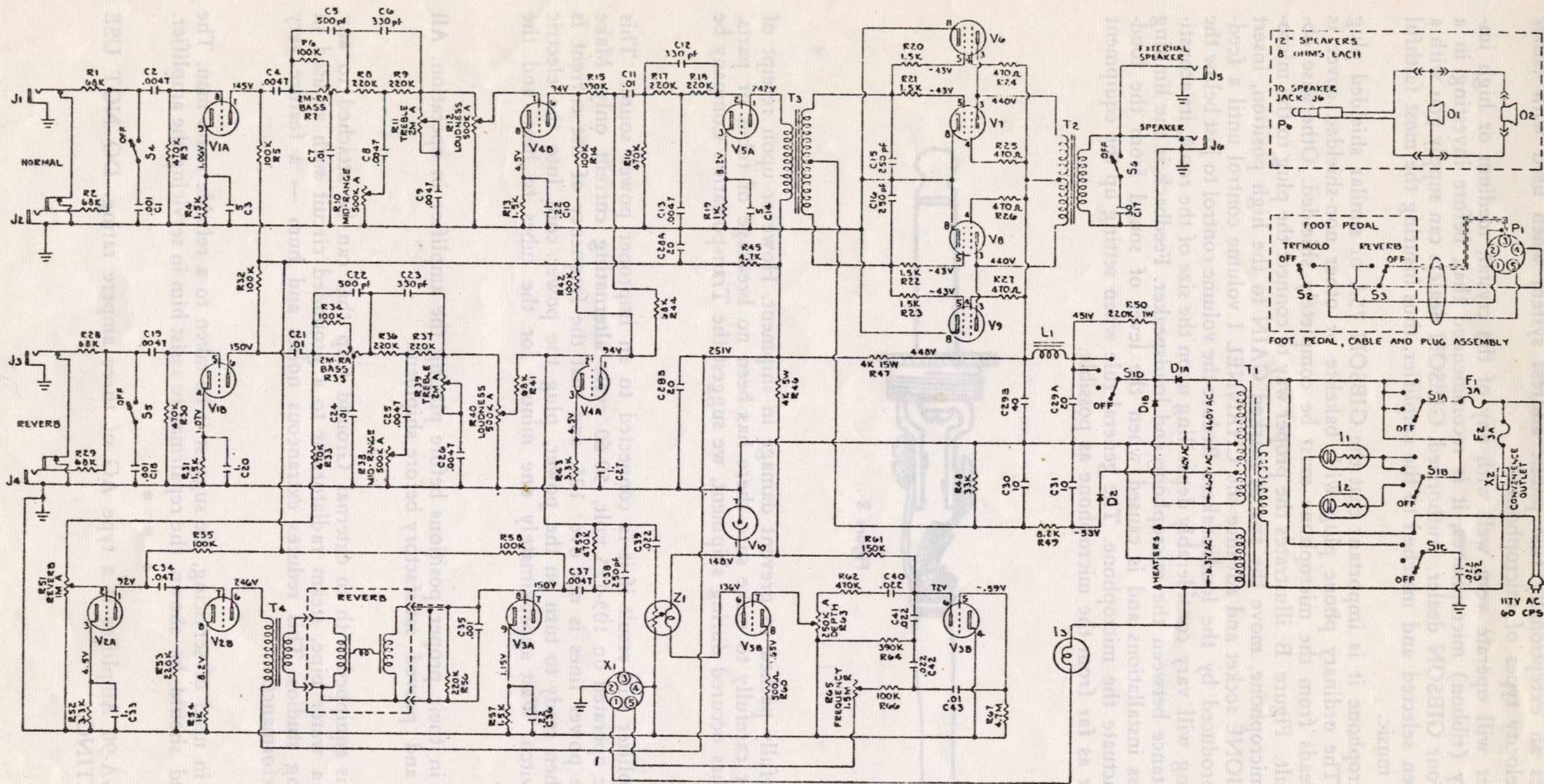


GA-95 "APOLLO"



GA-95A1T

- | | | | | | |
|--------------|--------------------------|----------|--------------------|--------------------------------|----------------|
| T1 | Power Transformer | TF-103P | D1, D1B | Diode - 1200 PIV | DI-57 |
| T2 | Output Transformer | TF-503-0 | D2 | Diode - 200 PIV | DI-405 |
| T3 | PP Driver Transformer | TF-1001D | Z1 | Foot Pedal Socket | CN-787C0-5 |
| T4 | Reverb Transformer | TF-E6400 | Z2 | Convenience Outlet | CN-303 |
| L1 | Filter Choke | TF-1002C | R39 | Control - 2 meg audio w/switch | CBA-4005-1 |
| S1A, B, C, D | Switch | SW-78A-1 | R10, R12, R18, R10 | Control - 500K audio | CBA-4007 |
| S2 | Switch SPST | SW-82103 | R13 | Control - 250K audio | CBA-4008 |
| S3 | Switch SPDT | SW-82122 | R11 | Control - 2 meg, audio | CBA-811-3762-1 |
| S4, S5 | Switches DPDT Slide | SW-129 | R51 | Control - 1 meg, audio | CBA-811-3709-1 |
| I1 | Pilot Light (Red) | PL-37R | R65 | Control - 1.5 meg, RA | CBA-811-3711-1 |
| I2 | Pilot Light (Amber) | PL-30A | E7, R35 | Control - 2 meg, RA | CBA-811-222-1 |
| I3 | Pilot Light (Red) w/clip | PL-34R | O1, O2 | Speakers - 12" 8 ohms each | 3-20011 |