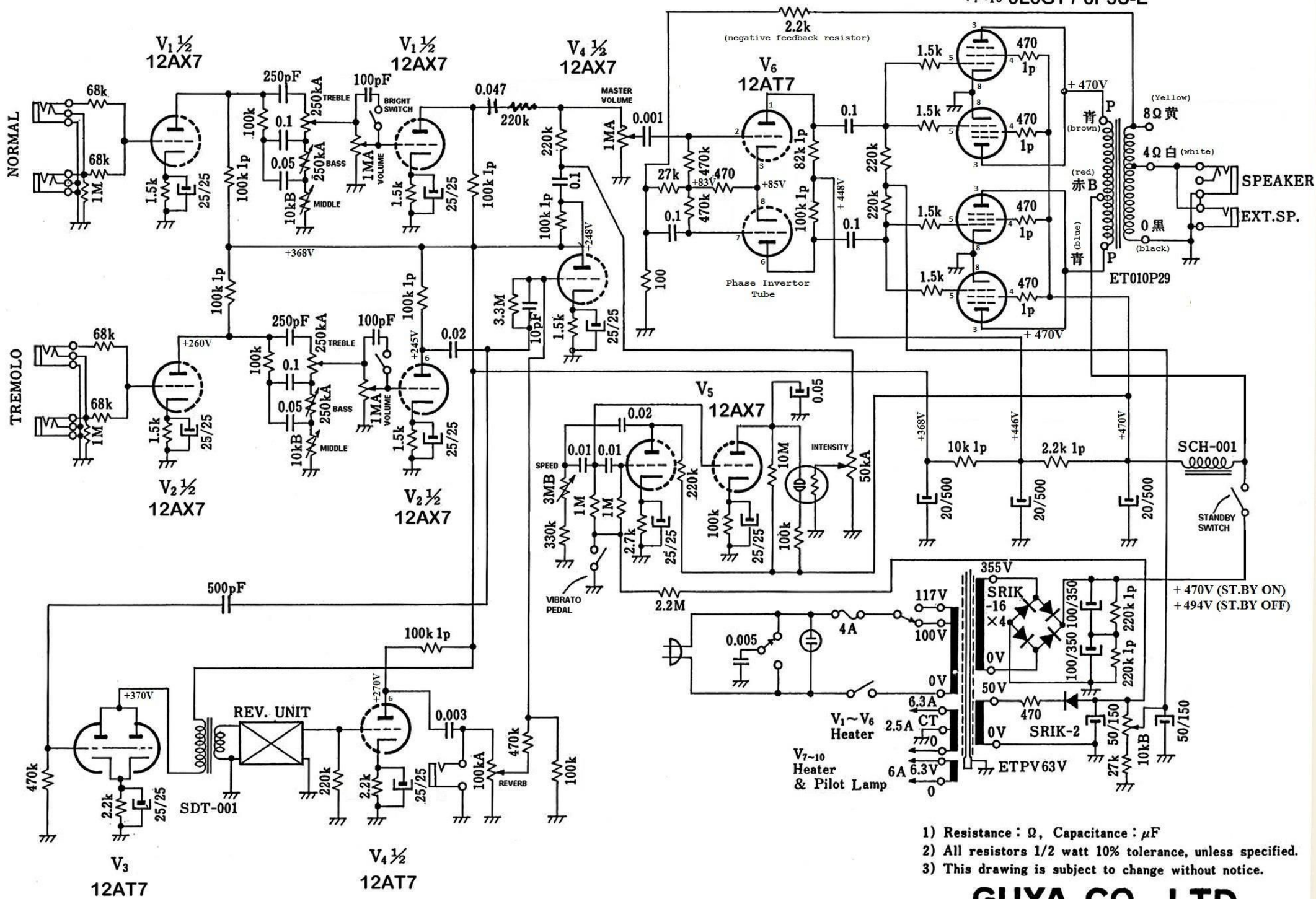


# GA-1100D

V<sub>7-10</sub> 6L6GT / 6P3S-E



- 1) Resistance : Ω, Capacitance : μF
- 2) All resistors 1/2 watt 10% tolerance, unless specified.
- 3) This drawing is subject to change without notice.

**GUYA CO., LTD.**