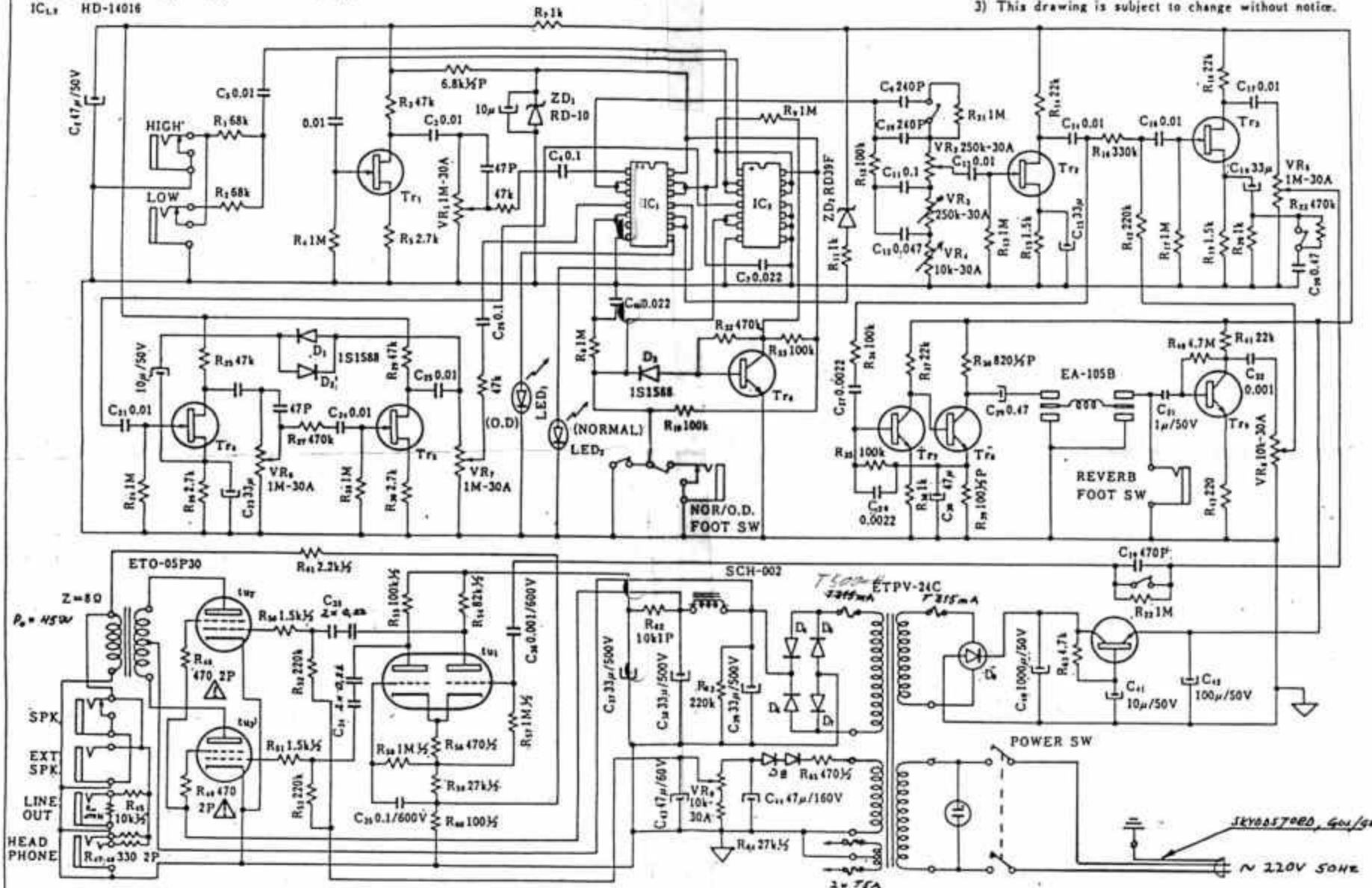


TR1-4 2SK-30 D1-2 SR1X-16 T1-1 12AT7  
 TR4,5 2SC-1570 D3 4SR1X-2 T2,3 6L6GC  
 TR6,8 2SD-313 D4 W02 T4,5 KT66  
 IC1,2 HD-14016

# GA-2000II (FLIP2000MKII) 回路図

- 1) Resistance : Ω. Capacitance : μF
- 2) All resistors 1/4 watt 5% tolerance, unless specified.
- 3) This drawing is subject to change without notice.



△ OBS! NOT. RVB ON RVR FREQ BRIGHT NIS MINIMU TP!

TOKYO SOUND CO., LTD.