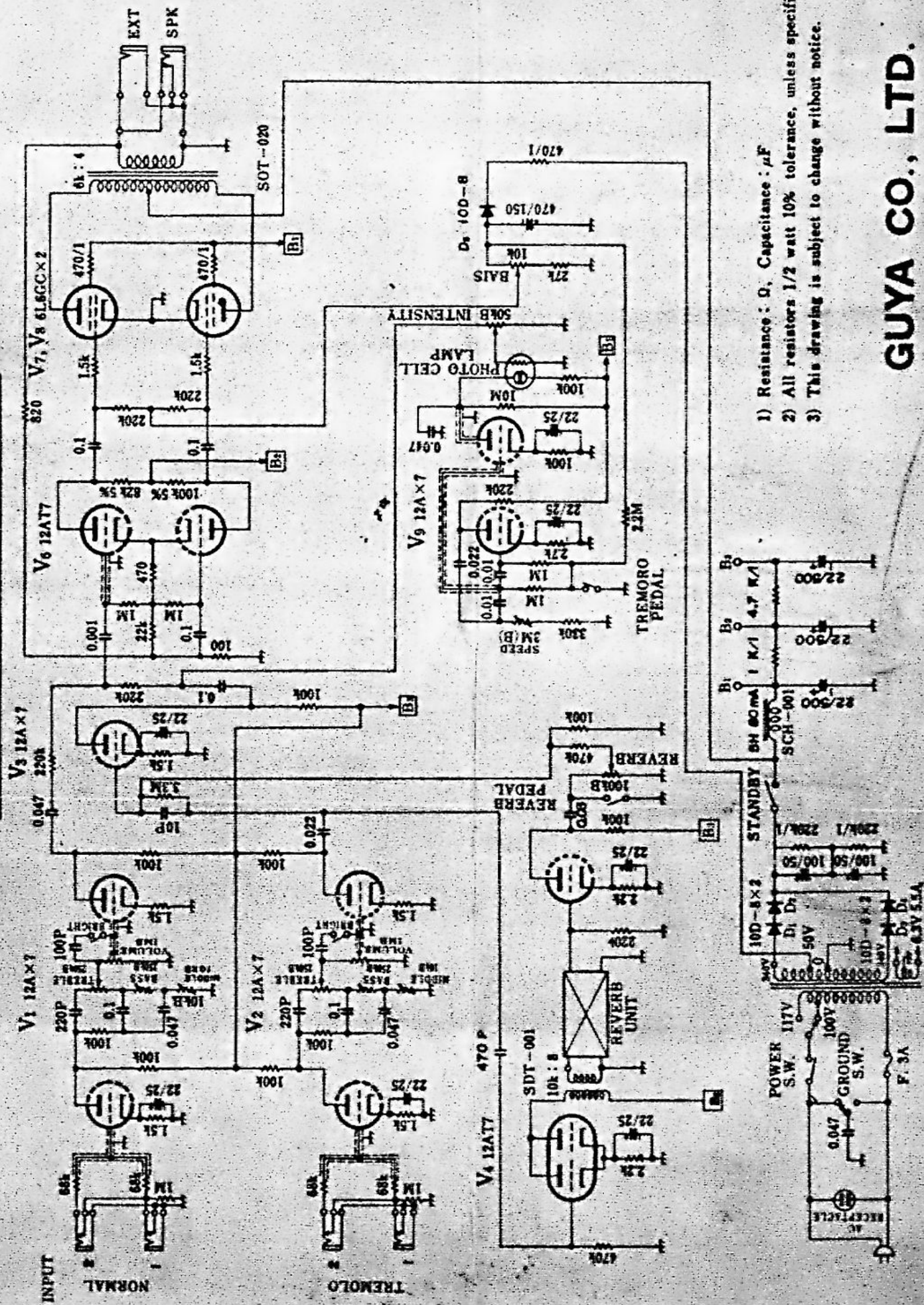


GA-1050, GA-1050S



- 1) Resistance : Ω, Capacitance : μF
- 2) All resistors 1/2 watt 10% tolerance, unless specified.
- 3) This drawing is subject to change without notice.

GUYA CO., LTD.