

HIWATT
OUTPUT STAGE
DR103
DR112
SA 112 FL
SA 115 FL
STA 100 SLAVE

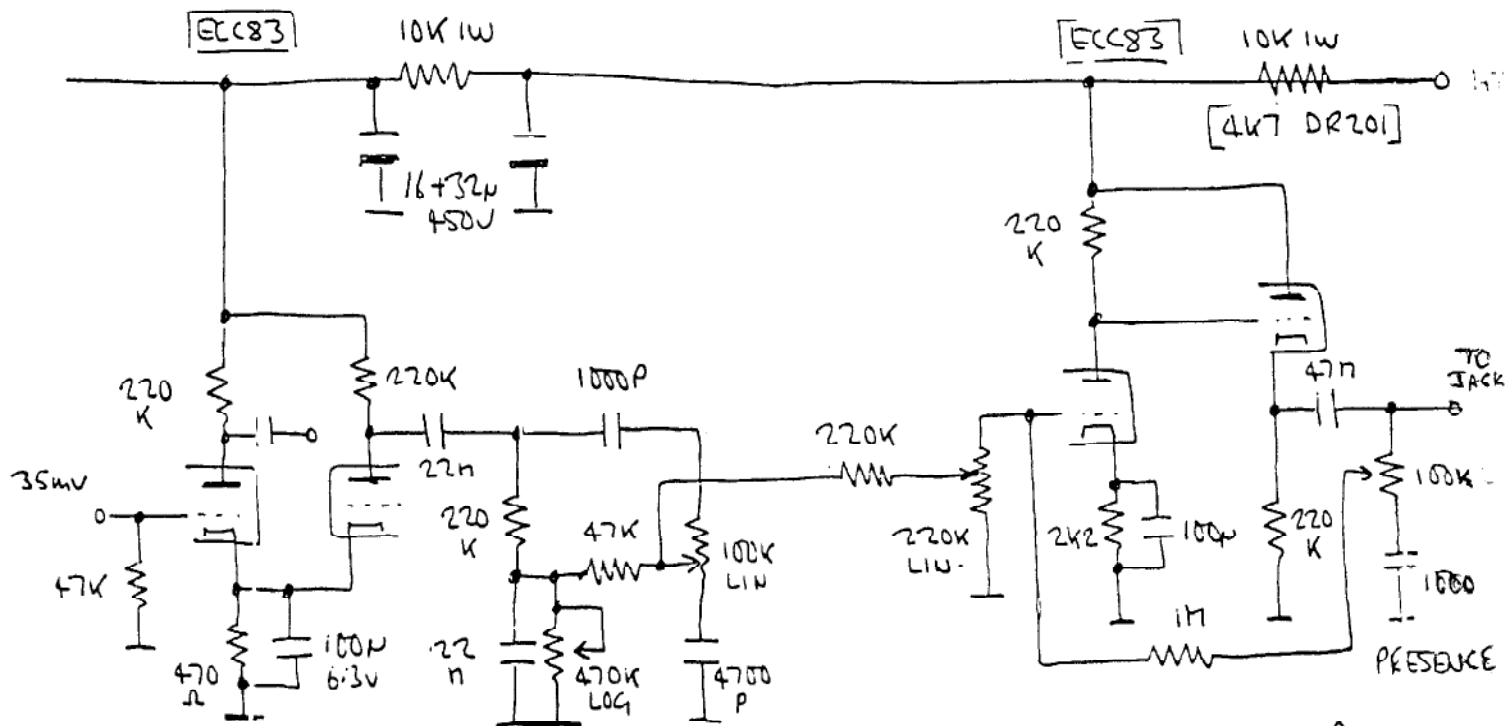
OUTPUT TRANSFORMER
PARTRIDGE TYPE
T97549 TH7549

FOR STA100 GRID
RESISTORS ARE 22K
INPUT CAPACITORS 470m

SWITCHING JACKS
DR103
DR504
DR201

HIWATT
JULY 79
DR.

PRE-AMP PA AMPS
 DR112
 DR203



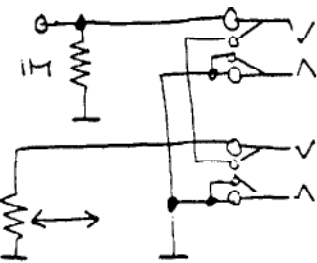
STAGE X3
 FOR SIX
 CHANNELS

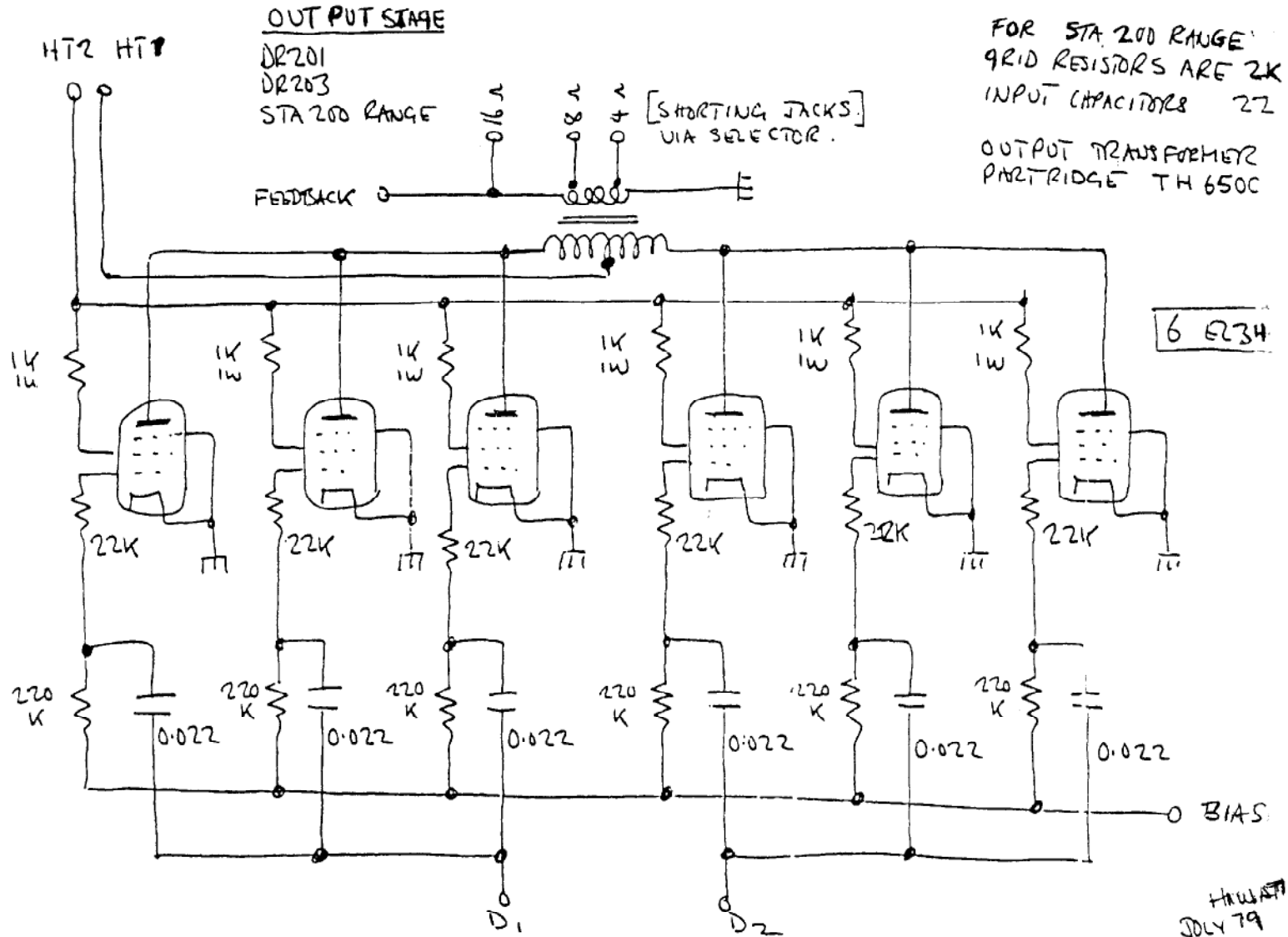
TONE X6

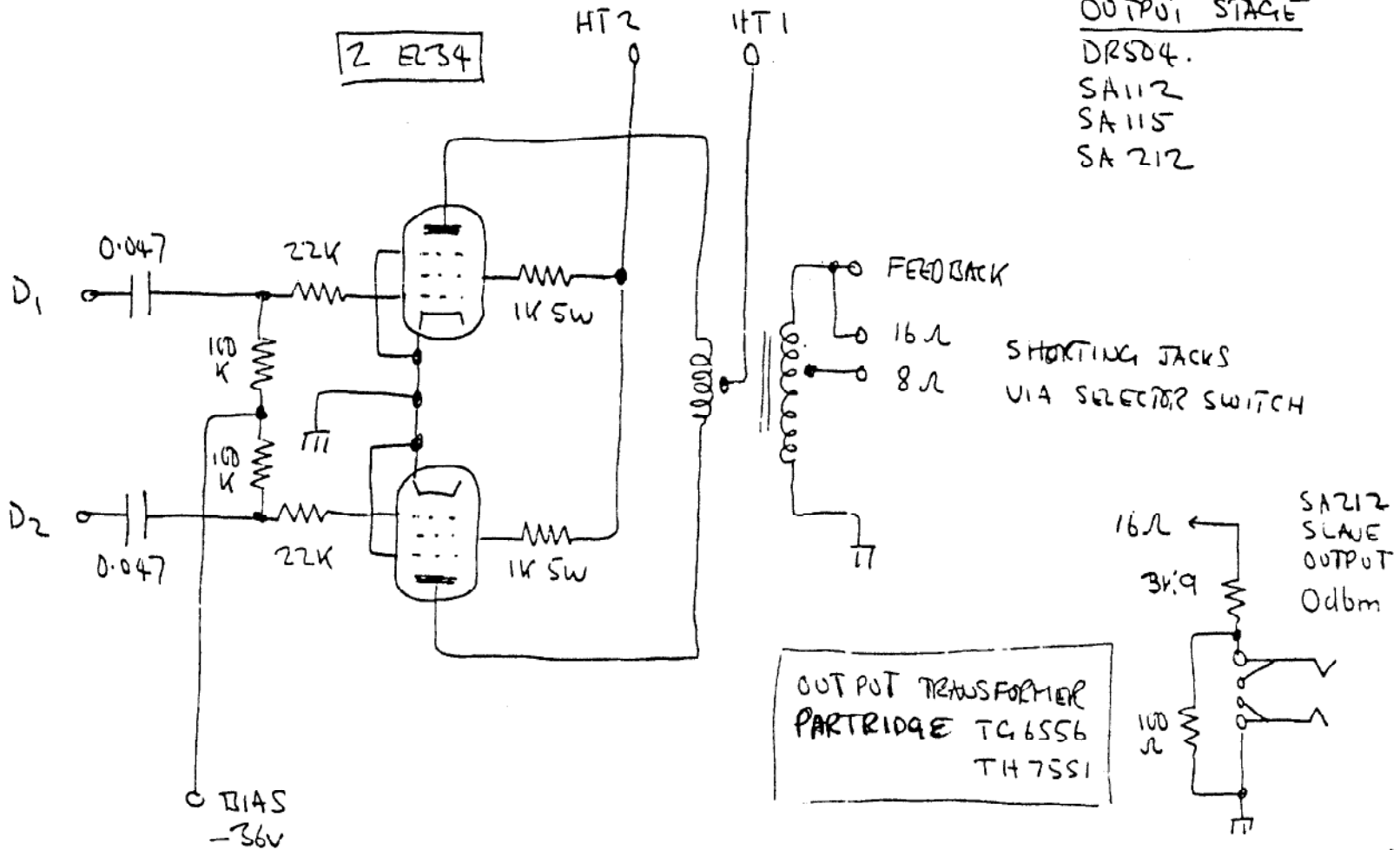
VOLUME X6
 IN PARALLEL

HIWATT
 JULY 1979
 DR.

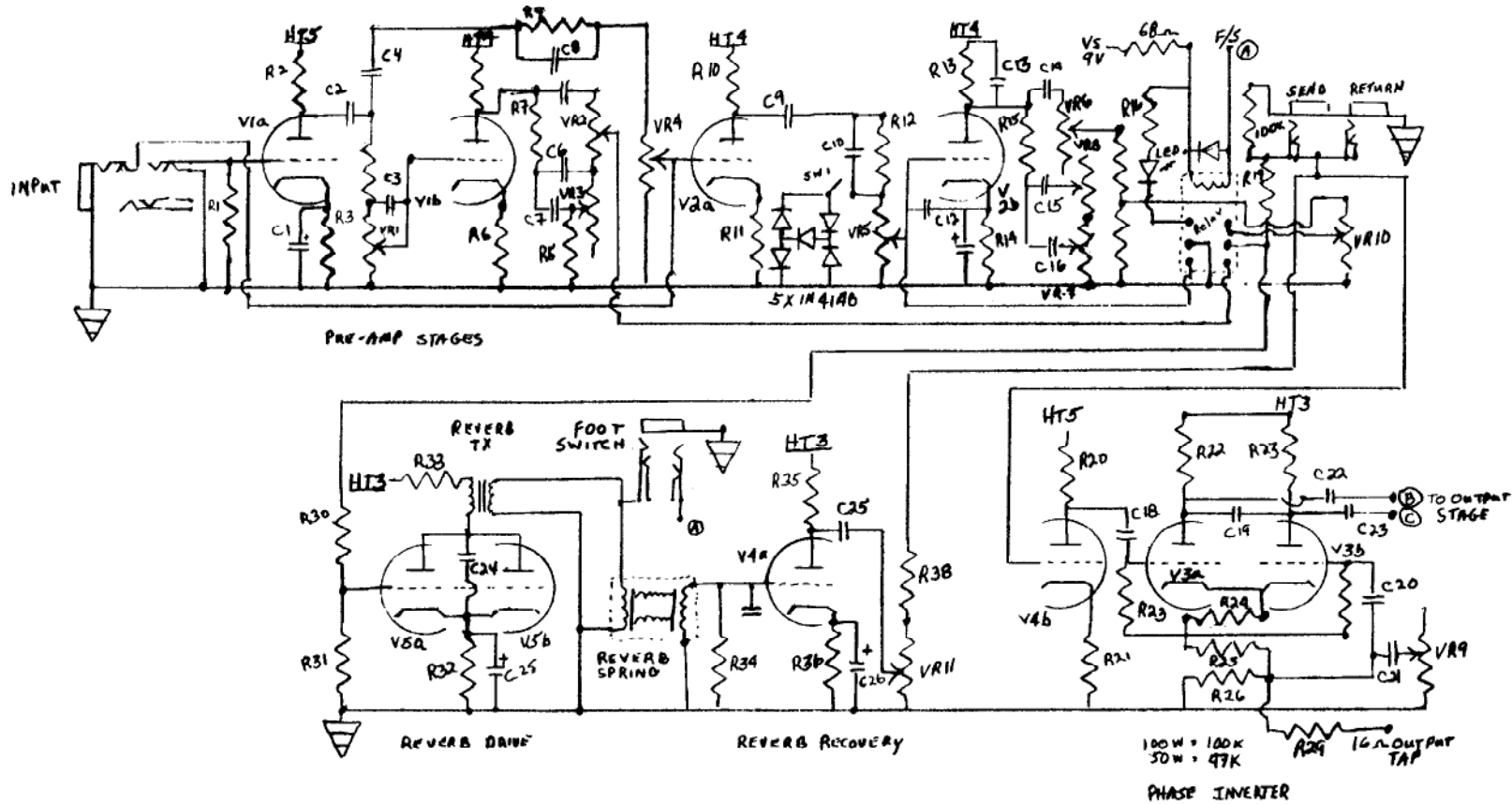
[TO AP AMPS
 DRIVE CCT
 V3.] MASTER
 VOLUME
 100K LIN







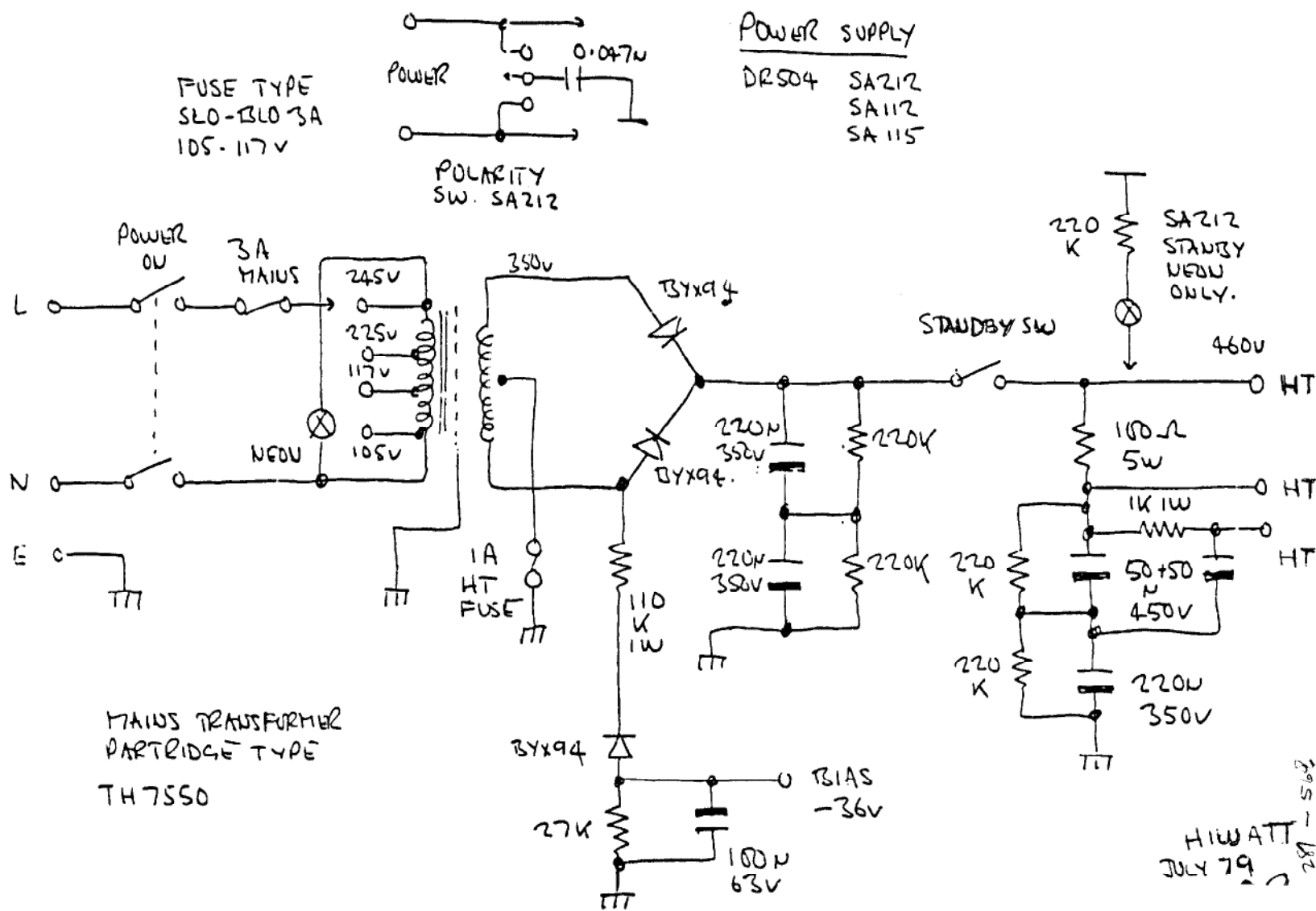
Hiwatt
JULY 79



HIWATT® L100R & L50R SCHEMATICS	PRE-AMP, REVERB AND PHASE INVERTER STAGES					DRAWN	TRACED	CHECKED	APPROVED	DATE	SCALE
						O.J.R.	O.J.R.	O.J.R.	A.P.	4-25-89	NA
					ENG #	101					

POWER SUPPLY 50w

Hiwatt

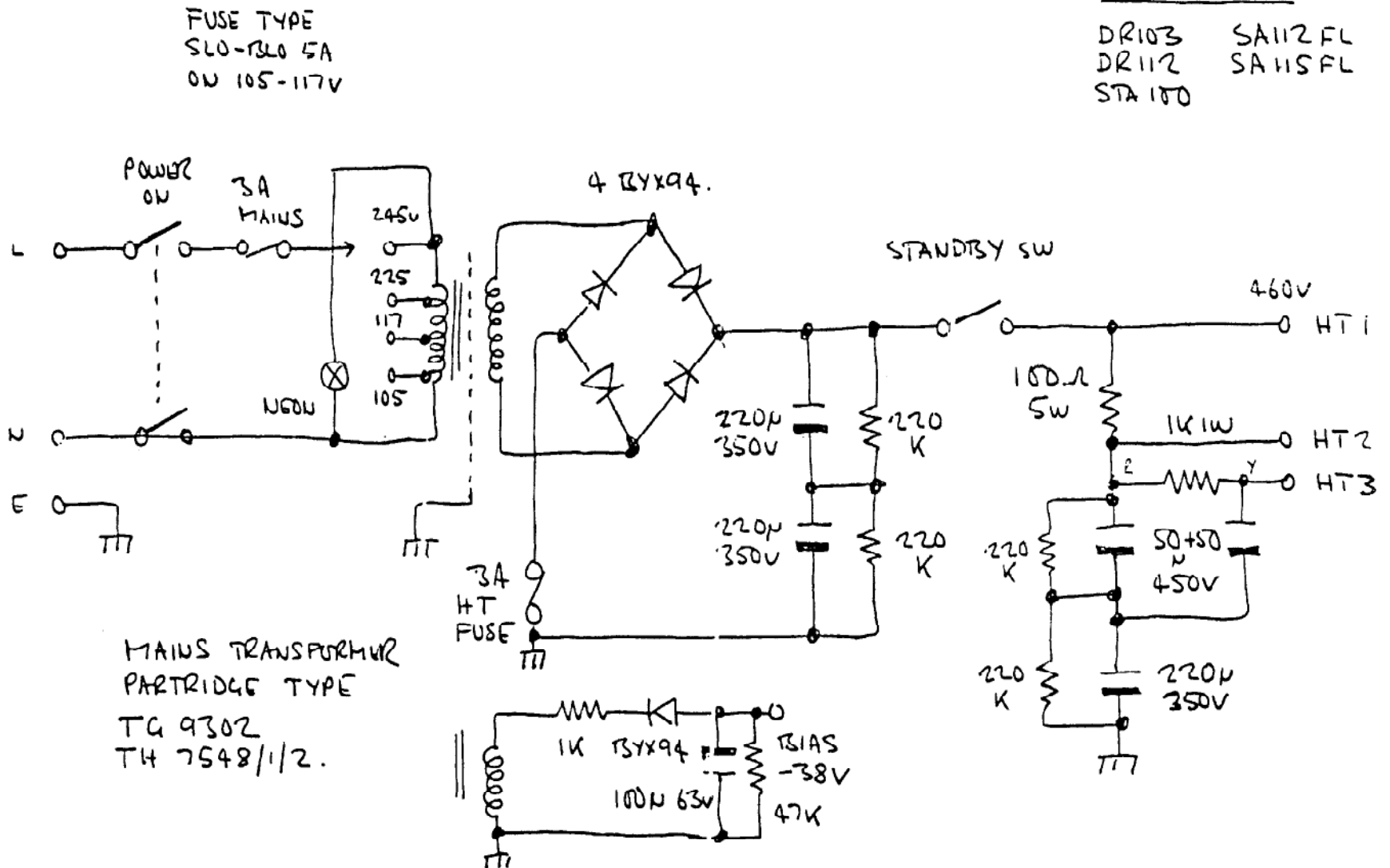


POWER SUPPLY 100w

Hiwatt

POWER SUPPLY

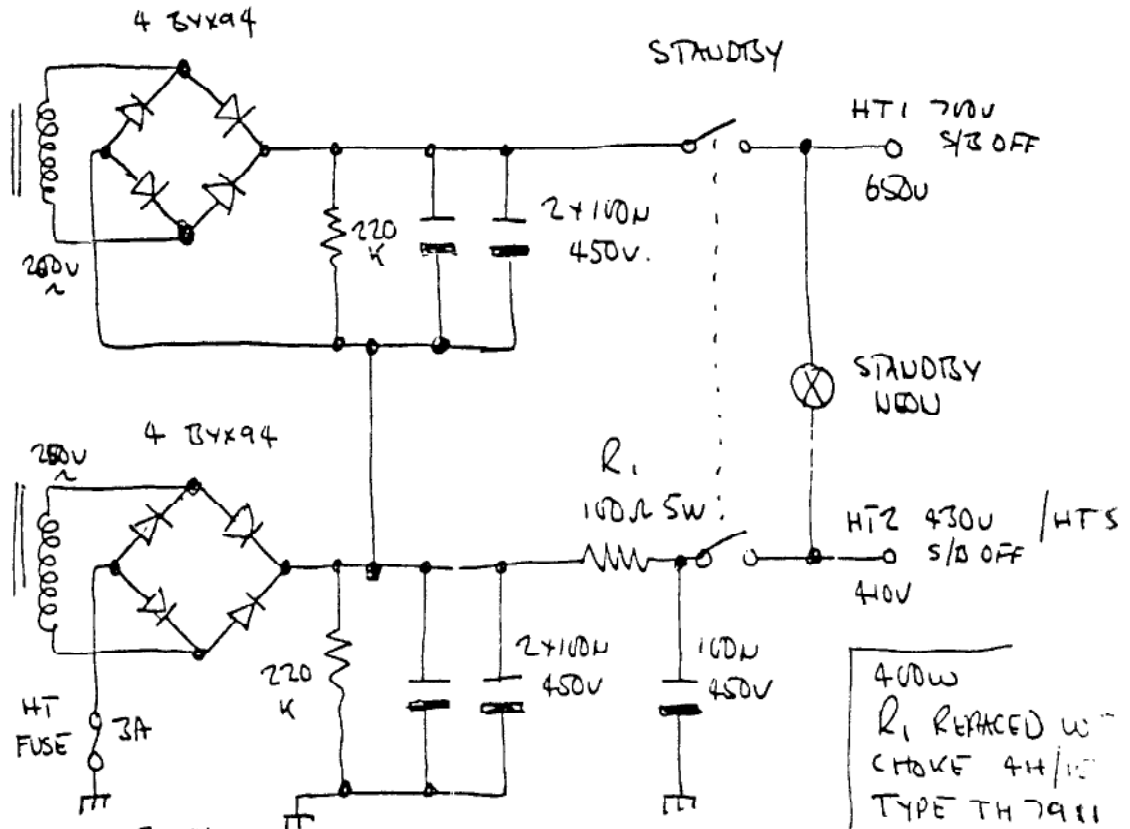
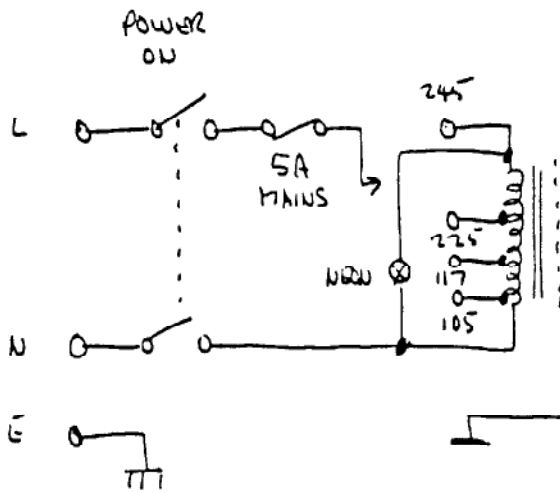
DR103 SA112FL
 DR112 SA115FL
 STA 100



POWER SUPPLY 150w

Hiwatt

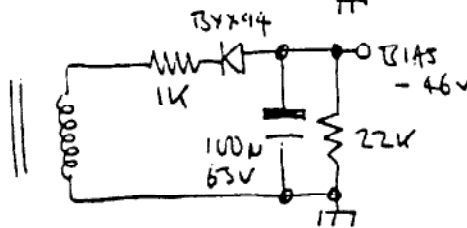
FUSE TYPE
SLO-1310 0U
105-117V



400W
R₁ REPLACED W/
CHOKE 4H/15V
TYPE TH 7911

POWER SUPPLY

- DR 201 STA 200
- DR 405 STA 200 R
- DR 203 STA 200 R-D
- STA 400

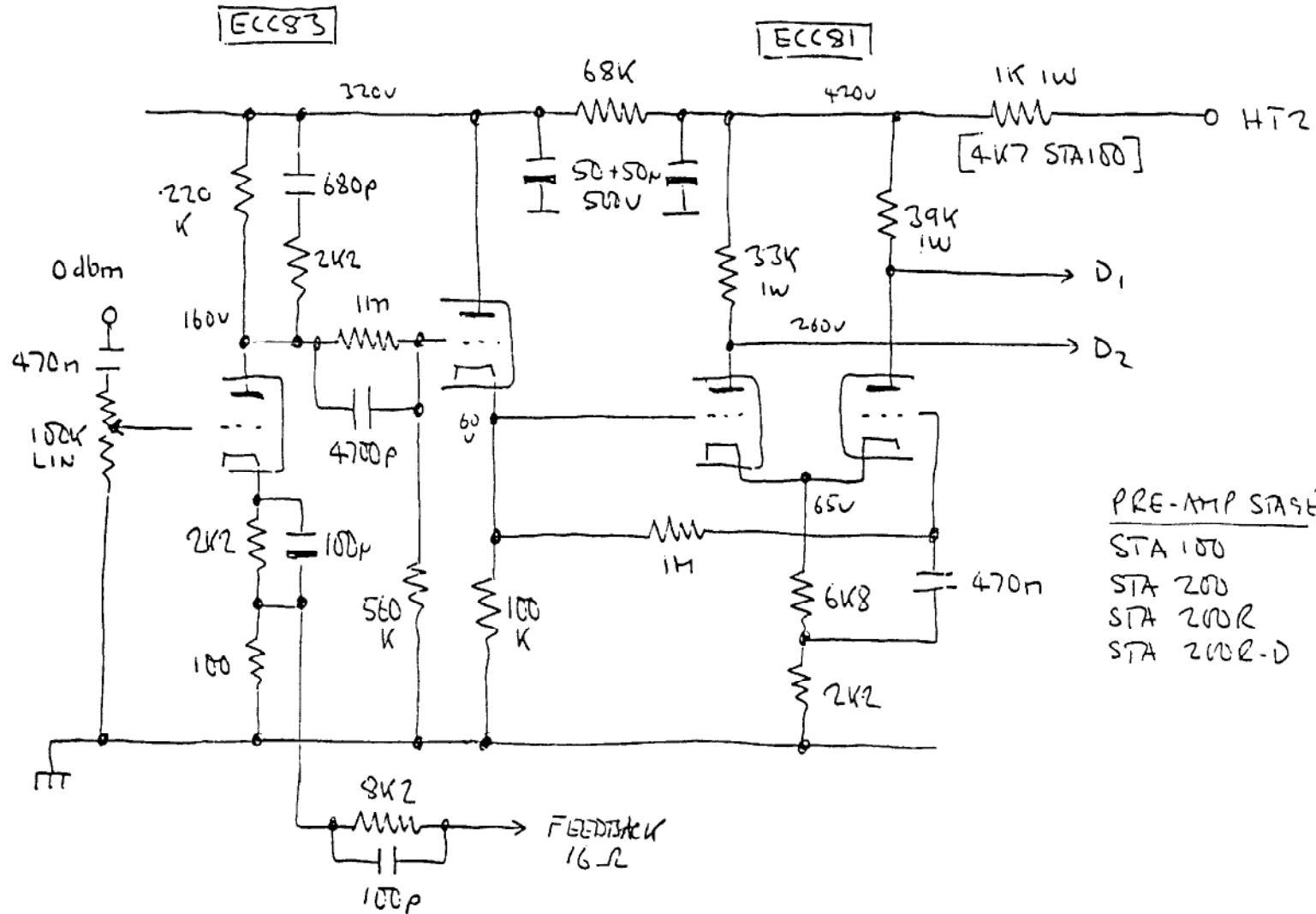


MAINS TRANSFORMER
PARTRIDGE TYPE
200W TH 8108
400W TH 1383

HIWATT
JULY 79

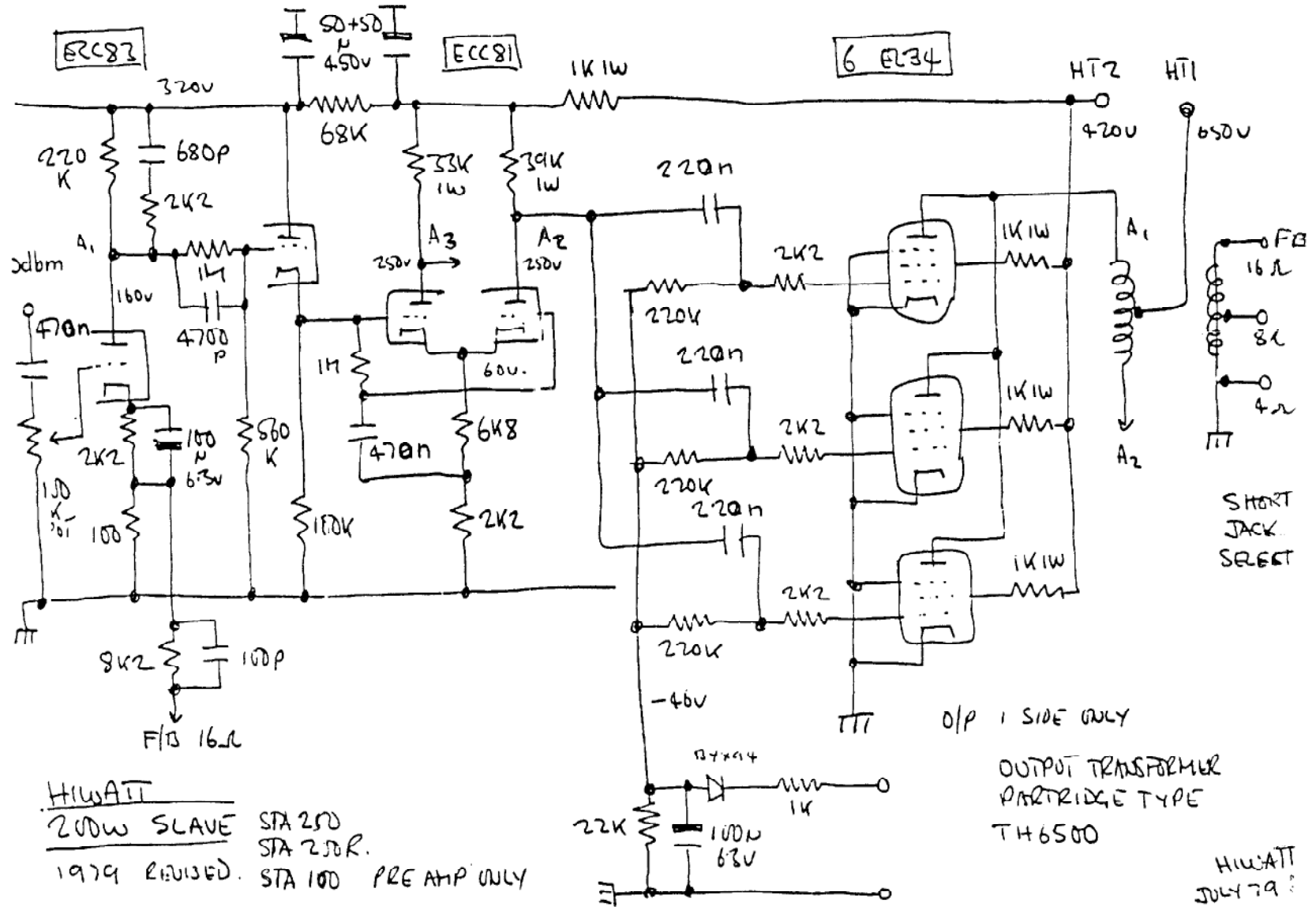
STA 100-200 PREAMP

Hiwatt



PRE-AMP STAGE
 STA 100
 STA 200
 STA 200R
 STA 200E-D

HIWATT
 JULY 79 DR



Hiwatt
200w SLAVE STA 250
1979 REVISED. STA 250R.
STA 100 PRE AMP ONLY

Hiwatt
JULY 79

