

# **OWNERS MANUAL**

**THIS MANUAL COVERS MODEL NUMBER  
DR103**

**Distributed by Biacrown Ltd**

**Manufactured in England by the Audio Brothers**

## **DR103 SPECIFICATION**

**Input line voltages : 100V, 117.5V, 225V, 250V a.c.**

**Power consumption : 330 Watts (maximum)**

**Fuse ratings : Mains (100V, 117.5V) - 6.3A (T) slowblow  
(225V, 250V) - 3.15A (T) slowblow  
H.T. (100V, 117.5V) - 3.15A (T) slowblow  
(225V, 250V) - 3.15A (T) slowblow**

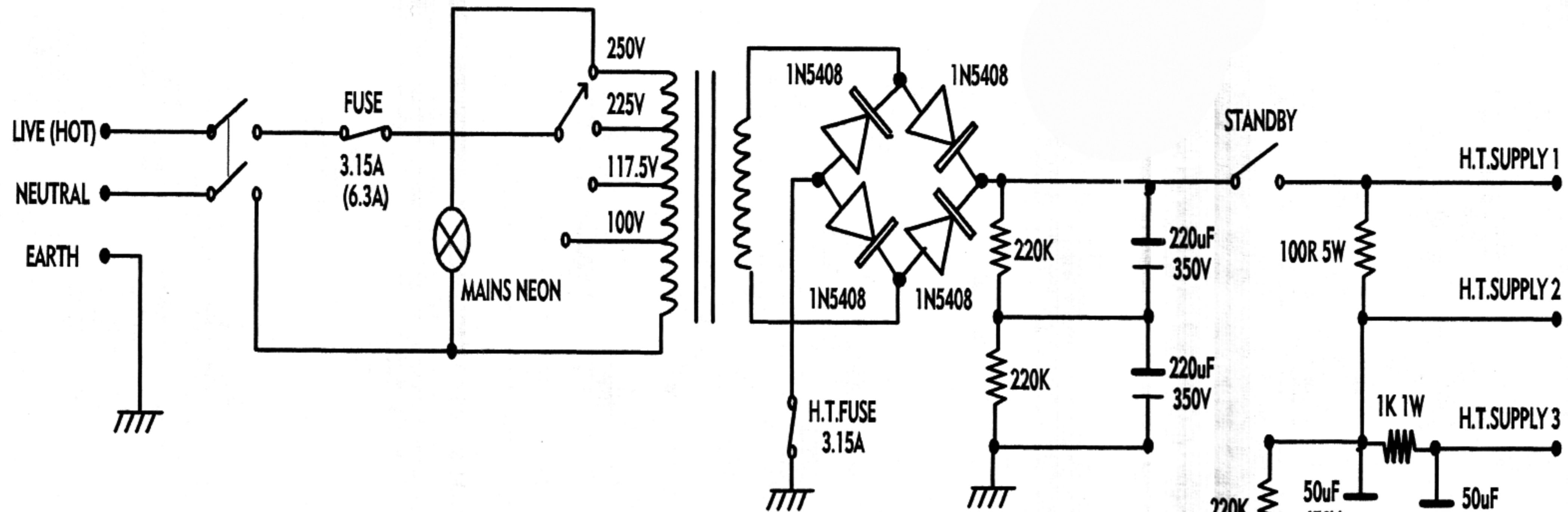
**Valve types : Output valves 4 x matched EL34 (6CA7)  
Preamp valves V<sub>1</sub>, V<sub>2</sub>, V<sub>3</sub>, 3 x ECC83 (12AX7)(7025)  
Preamp valve V<sub>4</sub> 1 x ECC81 (12AT7)(6201)**

**Output power : 100W RMS (min) into 8 Ohms**

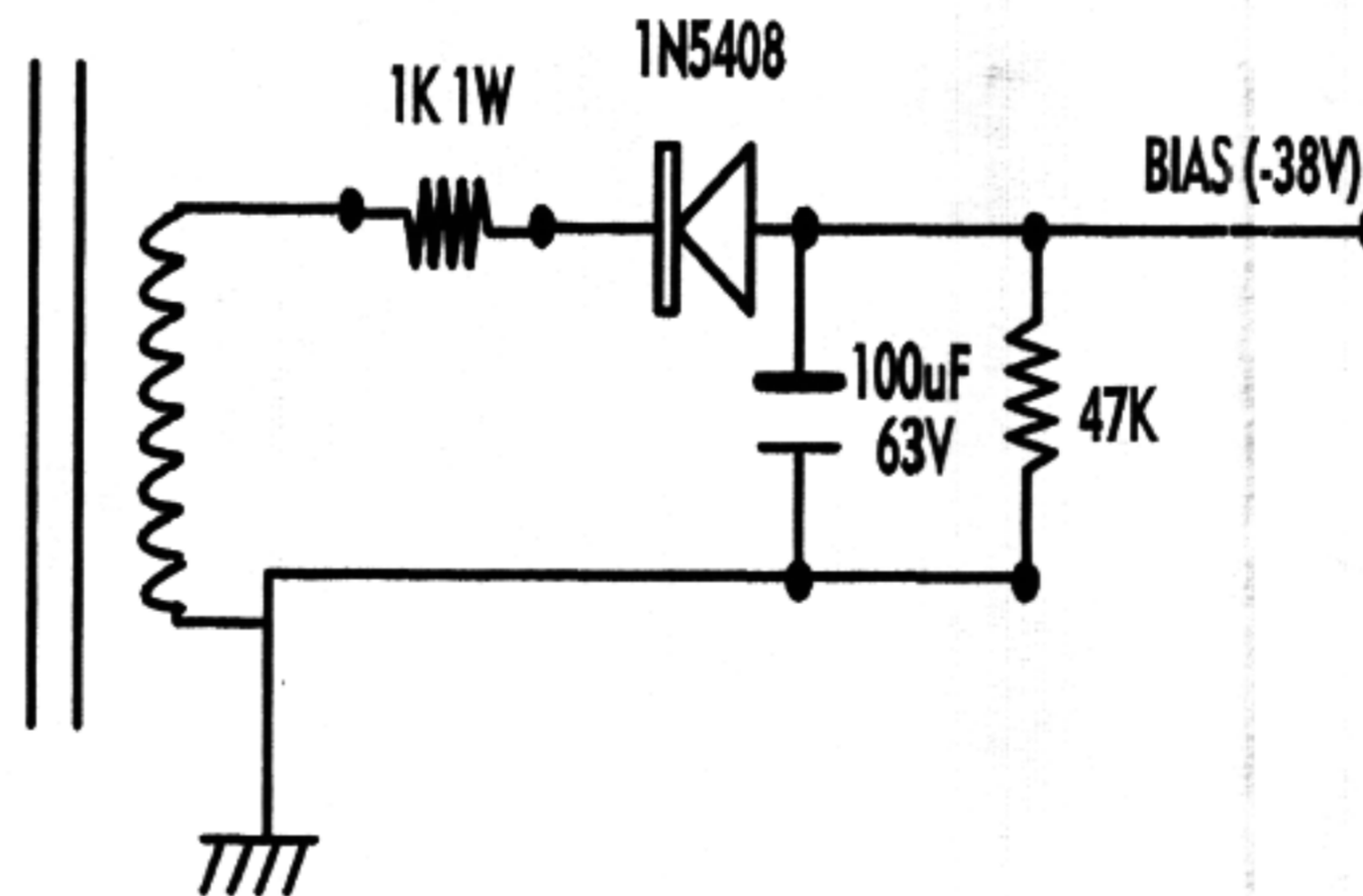
**Loudspeaker input impedance : 4 Ohm, 8 Ohm, or 16 Ohm**

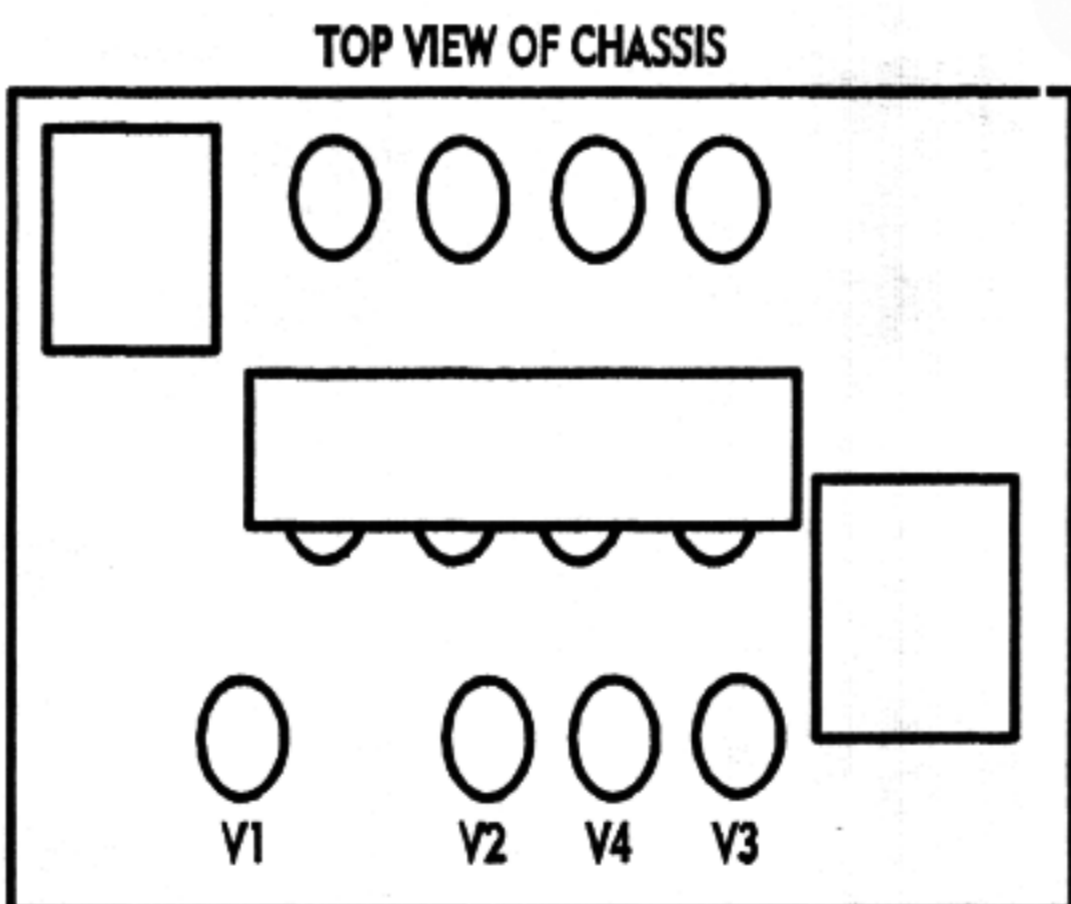
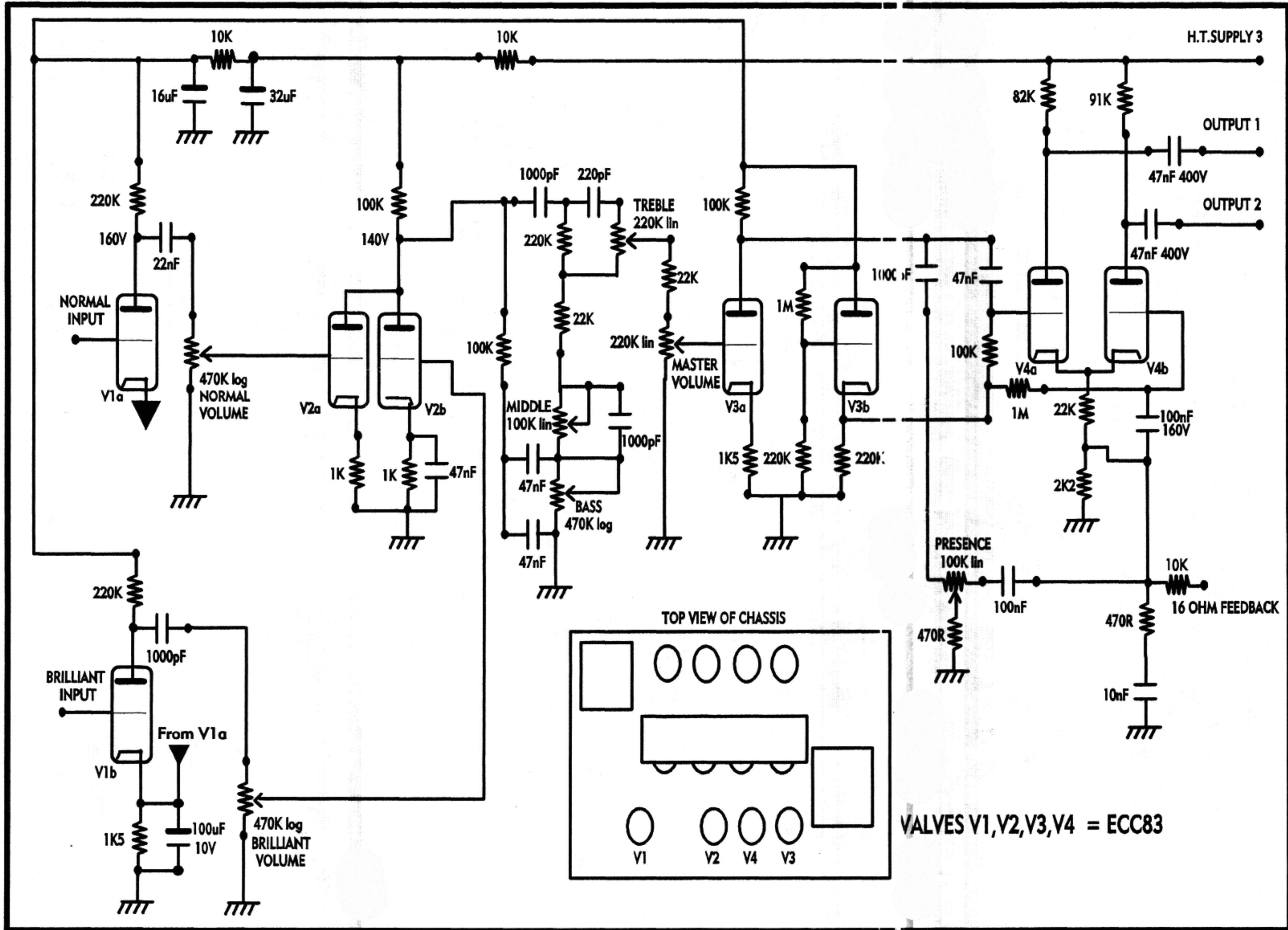
**Dimensions : Width - 640mm Depth - 288mm Height - 269mm**

**Weight : 20.5Kgs**



MAINS TRANSFORMER  
TYPE TH7548/5



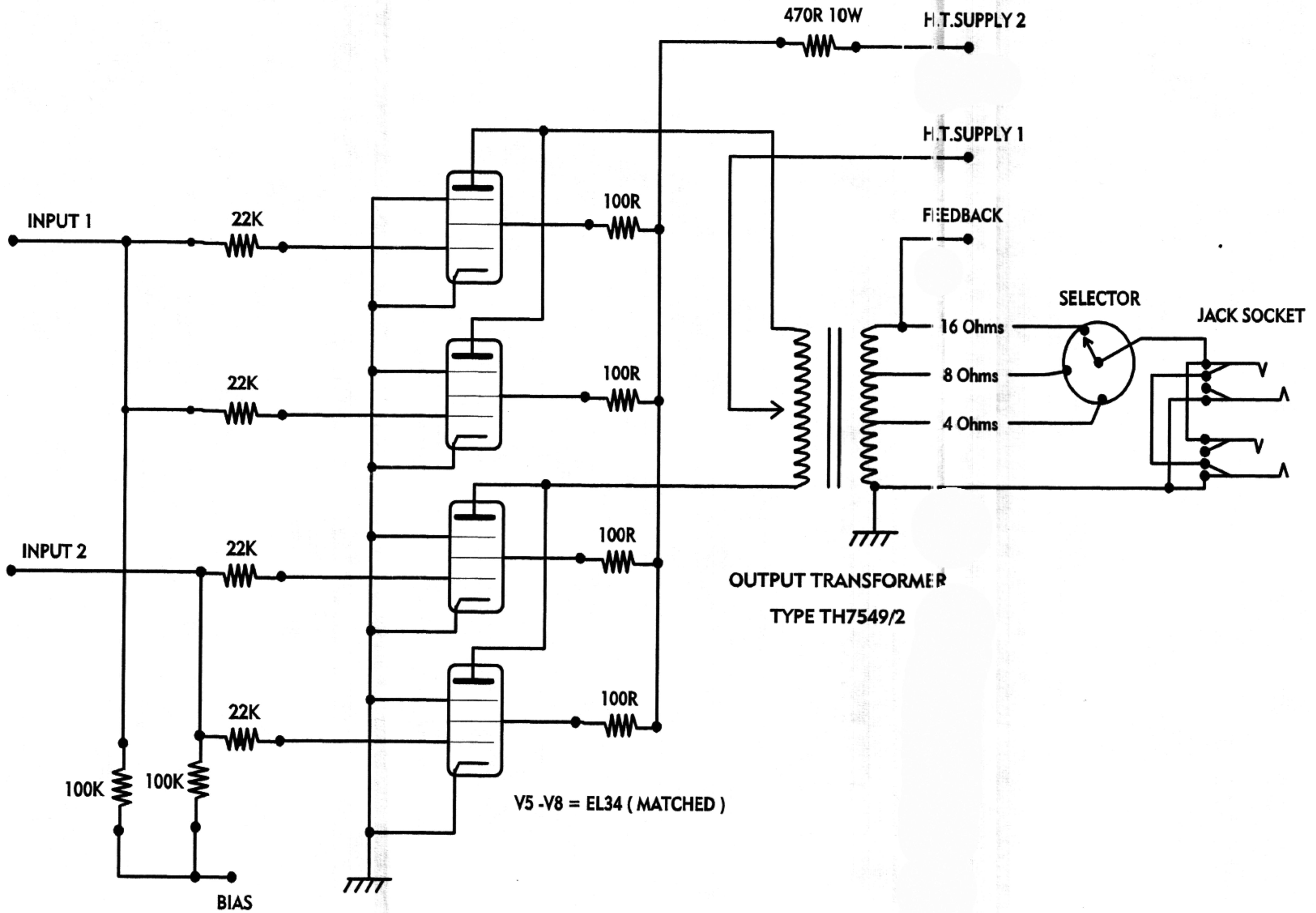


VALVES V1, V2, V3, V4 = ECC83

HIWATT DR103 PREAMPLIFIER CIRCUIT DIAGRAM

Drawn 19/05/95

Issue: 4. S/No. AB0309 Onwards



HIWATT DR103 OUTPUT STAGE CIRCUIT DIAGRAM

Drawn 25/04/94

Issue 1.