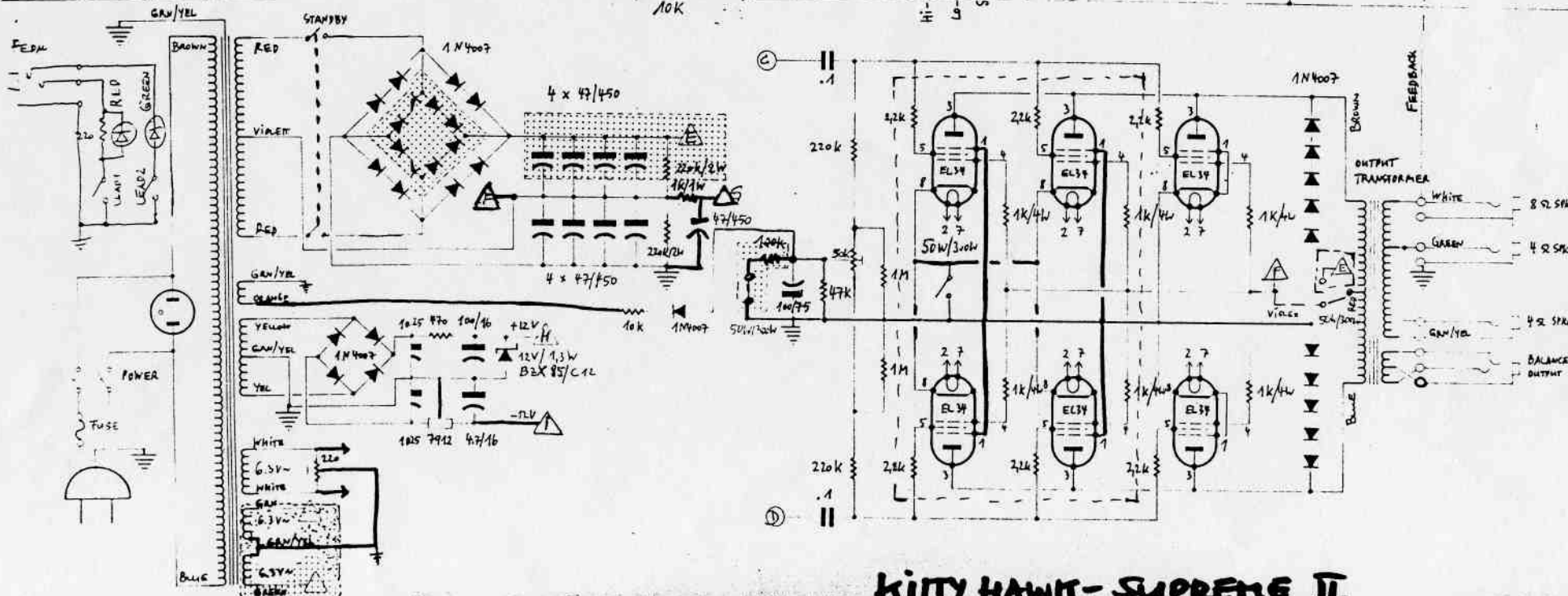
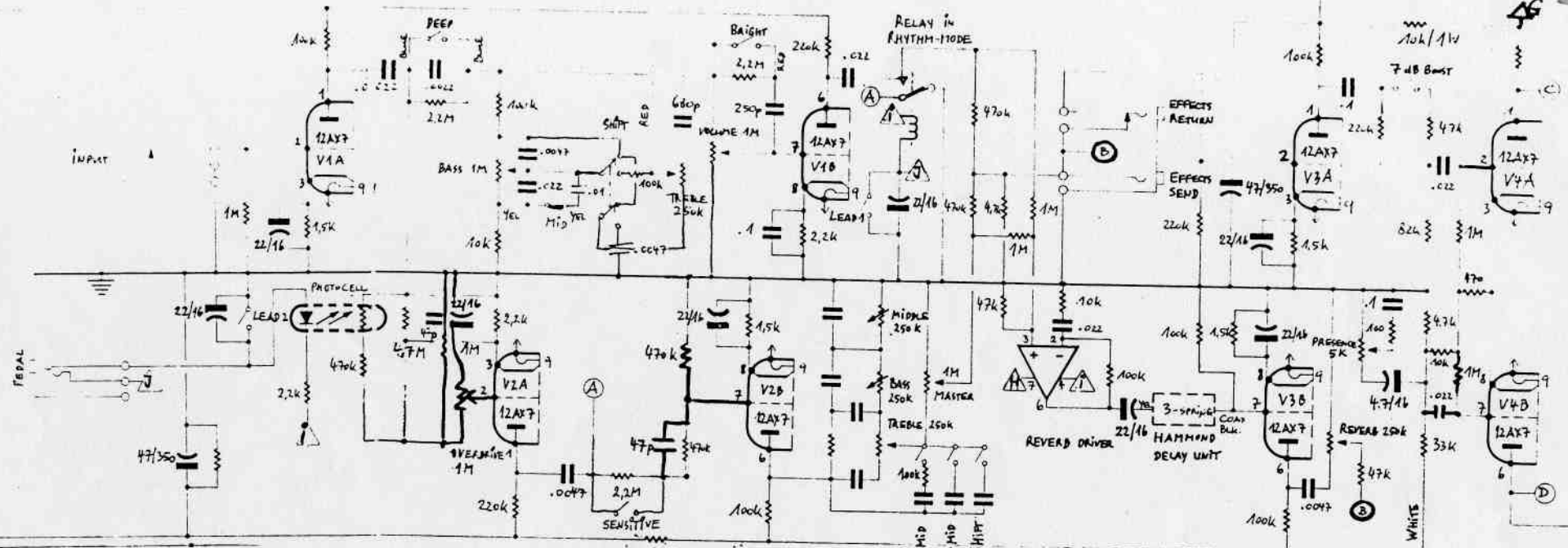


V1-V6: 12AX7
V7, V8: 6CA7
STR416
V9, V10: 6BL6C
STR415
21: 2N5524
ACT-III: VTL5C1

KITTY HAWK
SUPREME SERIES I
CIRCUIT DIAGRAM

VOLTAGES MEASURED
MAY BE 10% TOL.

©KITTY HAWK ©ROY



KITTY HAWK - SUPREME II