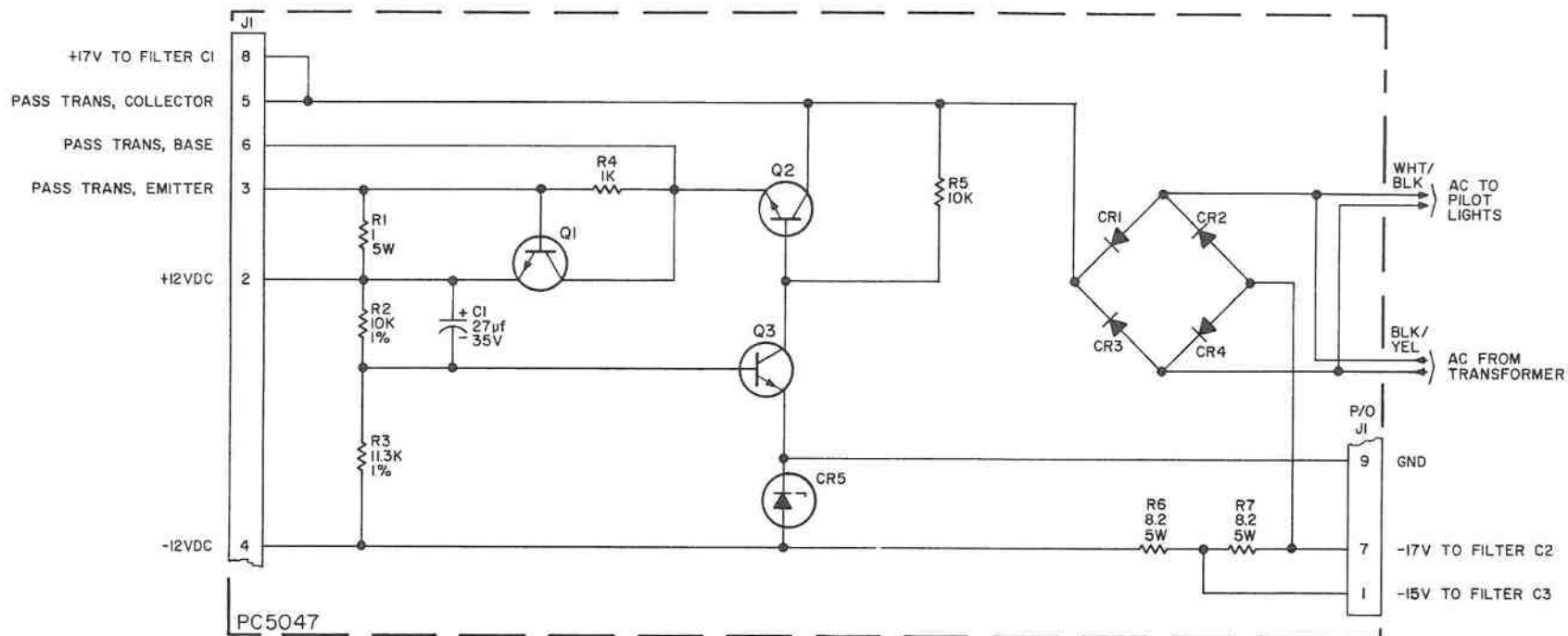


RS

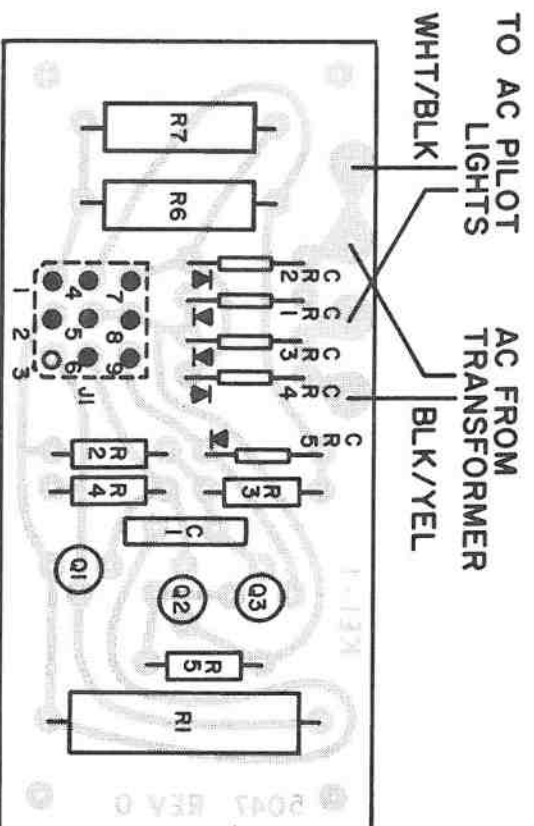


NOTES:  
 1. ALL RESISTORS ARE 1/2W, UNLESS NOTED.

SYMBOL	KUSTOM PART NO.
CR1 THRU CR4	007-6011-00
CR5	007-5349-00
Q1	007-0005-00
Q2 & Q3	007-0007-00

REV	NO	DATE	BY
1	821	5-72	LS

REV	PART NUMBER	DESCRIPTION	ITEM
<b>Kustom ELECTRONICS, INC.</b> CHANUTE, KAN. 66720			
DRN	JLS	DATE 11-71	TOLERANCES NONE MATERIAL NONE
ENGR		DATE 12-71	NAME SCHEMATIC DIAGRAM
REGULATOR BOARD PC5047			PART NUMBER
SCALE NONE	SHT OF 1	PART NUMBER 002-5047-00	



- J1
1. -17V TO FILTER C3
  2. +12VDC
  3. PASS TRANS, EMITTER
  4. -12VDC
  5. PASS TRANS, COLLECTOR
  6. PASS TRANS, BASE
  7. -17V TO FILTER C2
  8. +17V TO FILTER C1
  9. GND

REV	C	DATE	BY										
				<b>Custom.</b> <b>ELECTRONICS, INC.</b> CHANUTE, KANSAS 66720									
DRN		DATE	TOLERANCES	MATERIAL									
JLS		4-72	NONE	NONE									
CHK		DATE	NAME	REGULATOR									
J.D.		5-72		PART NUMBER									
ENGR				300-5047-00									
SCALE				SMT OF									
NONE				1									