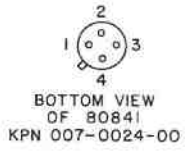
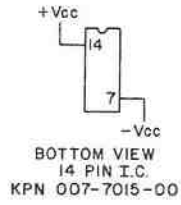


**PRE-AMP
PC5093**

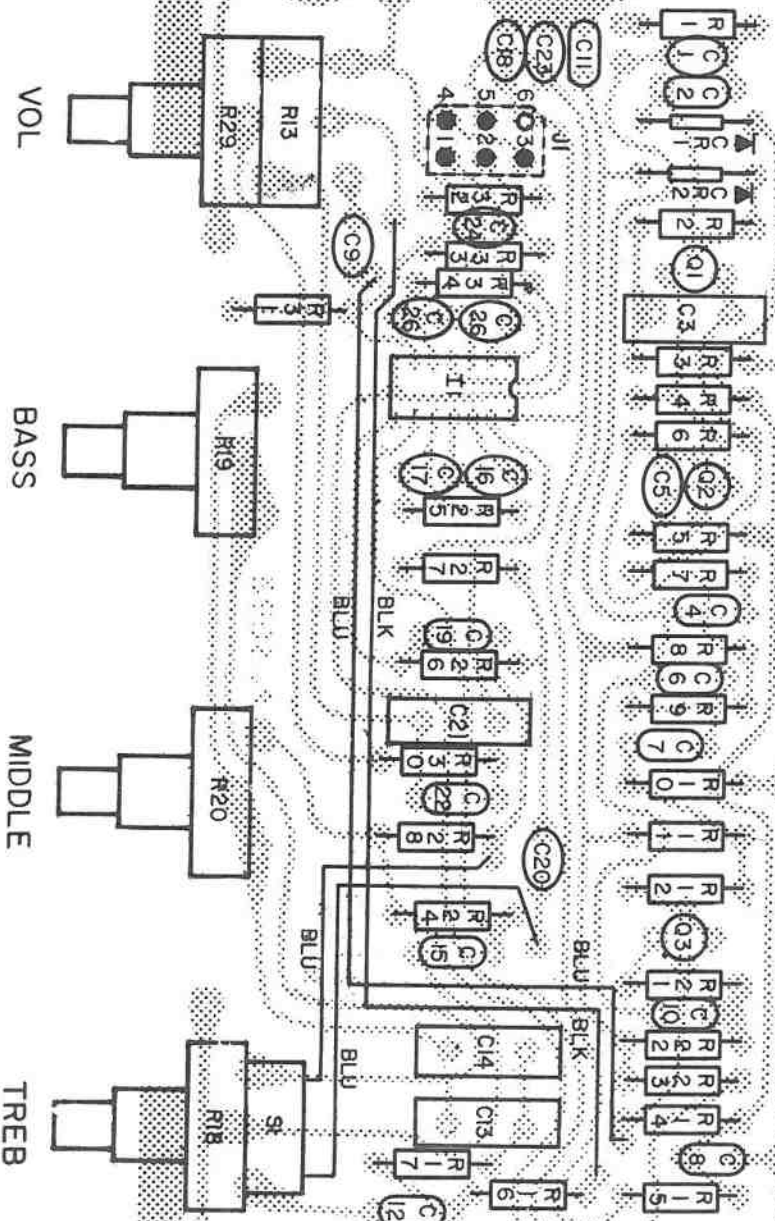
- NOTES:
1. ALL RESISTORS ARE 1/2W, 10%, UNLESS NOTED.
 2. ALL CAPACITOR VALUES ARE IN MICROFARADS, UNLESS NOTED.
 3. VOLTAGE MEASUREMENTS ARE WITH POWER ON, ALL CONTROLS FULL ON, NO SIGNAL, NO LOAD AND MEASURED FROM COMMON GROUND.



SYMBOL	KUSTOM PART NO.
CR1 & CR2	007-6016-00
Q1	007-0007-00
Q2	007-0009-00
J1	030-2035-00
R18 & S1	133-0051-00
R13 & R29	133-0053-00
R19	133-0035-00
R20	133-0033-00

REV	CO	NO	DATE	BY

REV	PART NUMBER	DESCRIPTION	ITEM
ELECTRONICS, INC. CHANUTE, KAN. 66720			
DRN	SPAITS	DATE 12-71	TOLERANCES MATERIAL
CHK		DATE 12-71	NONE NONE
ENGR			NAME SCHEMATIC DIAGRAM - PRE-AMP (STEEL) PC5093
SCALE	NONE	SHT OF 1	PART NUMBER 002-5093-00



- J1
1. OUTPUT
 - 2.
 - 3.
 4. GND
 5. +12V
 6. -12V

REV	C	JO	DATE	BY					
Tuston.					ELECTRONICS, INC.				
CHANUTE, KANSAS					66720				
DRN	JLS	DATE	DATE	TOLERANCES	MATERIAL				
CHK	g. J.S.	DATE	1-72	NONE	NONE				
ENGR	<i>g. J. Smith</i>	DATE	1-72	NAME ASSY. DRAWING, PRE-AMP (STEEL)					
SCALE	NONE	SHT	OF	PART NUMBER					
				300-5093-00					