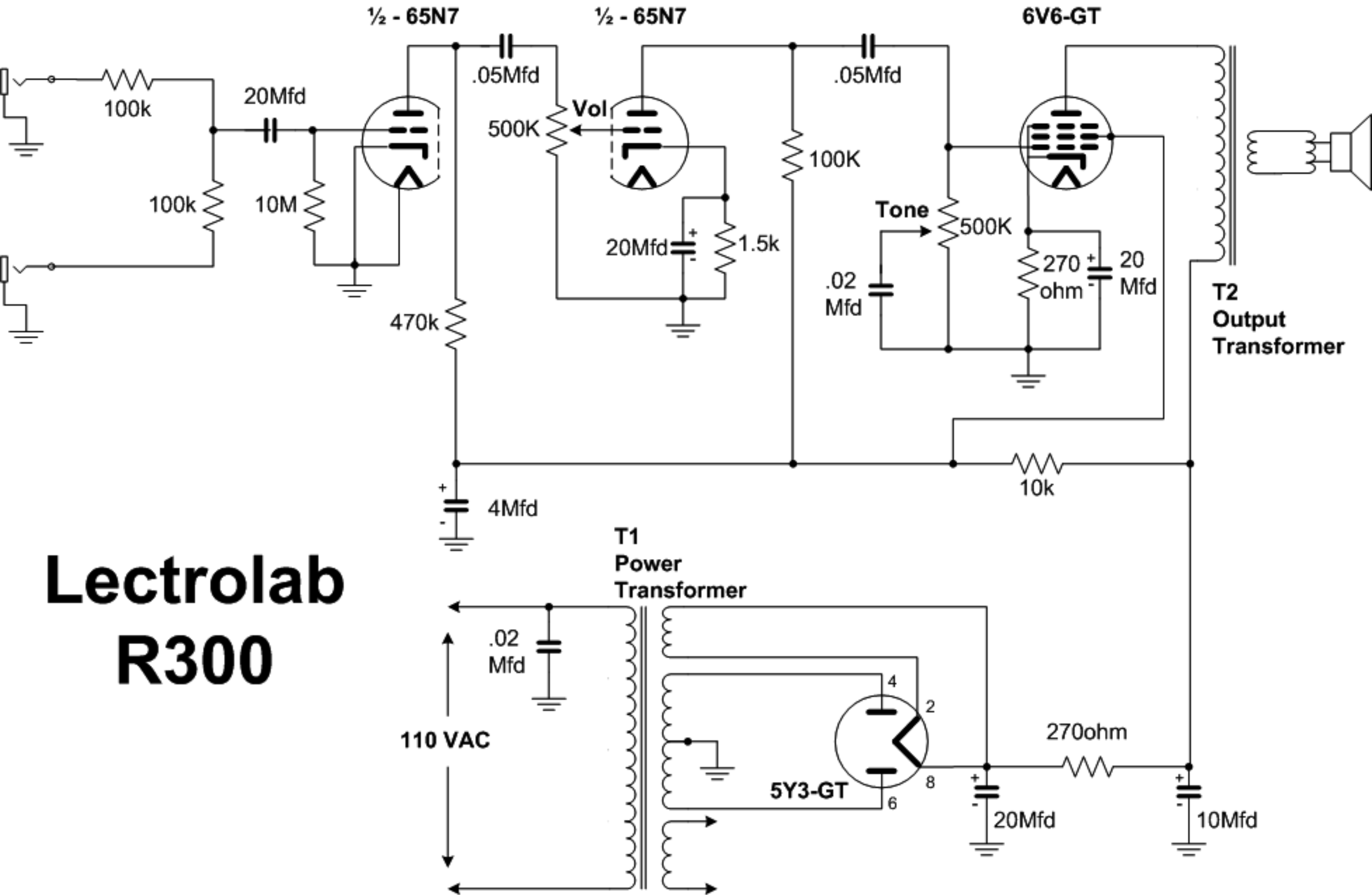


# Lectrolab R300





**POWER SUPPLY CIRCUIT**

1. The transformer is used to step up or step down the AC voltage. In this circuit, it is used to step down the AC voltage to a suitable level for the bridge rectifier.

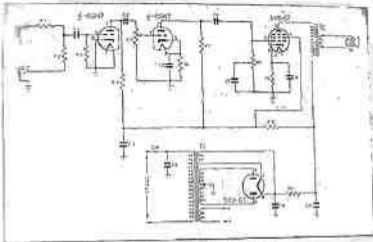
2. The bridge rectifier converts the AC voltage into a DC voltage. It consists of four diodes connected in a bridge configuration.

3. The filter capacitor is used to filter out the AC ripple from the DC output. It stores energy during the charging phase and releases it during the discharging phase, resulting in a smoother DC output.

4. The load resistor is connected in parallel with the filter capacitor to draw current from the power supply.

5. The output voltage of the power supply is determined by the transformer ratio, the bridge rectifier, and the filter capacitor. The output voltage is approximately equal to the peak-to-peak voltage of the AC input minus the voltage drop across the diodes.

6. The power supply is used to provide a steady DC voltage to various electronic devices and circuits. It is a fundamental component of many electronic systems.



LECTROLAB MODEL R300

- W1. 500-1000 K Ohm 1/2 Watt Resistor
- R1-500 Ohm 500 Watt Resistor
- R2-100K Ohm 1/2 Watt Resistor
- R3-500K Ohm Volume Control
- R4-500 Ohm 1/2 Watt Resistor
- R5-100K Ohm 1/2 Watt Resistor
- R6-500K Ohm 1/2 Watt Resistor
- R7-100K Ohm 1/2 Watt Resistor
- R8-100K Ohm 1/2 Watt Resistor
- R9-100K Ohm 1/2 Watt Resistor
- R10-100K Ohm 1/2 Watt Resistor
- R11-100K Ohm 1/2 Watt Resistor
- R12-100K Ohm 1/2 Watt Resistor
- R13-100K Ohm 1/2 Watt Resistor
- R14-100K Ohm 1/2 Watt Resistor
- R15-100K Ohm 1/2 Watt Resistor
- R16-100K Ohm 1/2 Watt Resistor
- R17-100K Ohm 1/2 Watt Resistor
- R18-100K Ohm 1/2 Watt Resistor
- R19-100K Ohm 1/2 Watt Resistor
- R20-100K Ohm 1/2 Watt Resistor
- R21-100K Ohm 1/2 Watt Resistor
- R22-100K Ohm 1/2 Watt Resistor
- R23-100K Ohm 1/2 Watt Resistor
- R24-100K Ohm 1/2 Watt Resistor
- R25-100K Ohm 1/2 Watt Resistor
- R26-100K Ohm 1/2 Watt Resistor
- R27-100K Ohm 1/2 Watt Resistor
- R28-100K Ohm 1/2 Watt Resistor
- R29-100K Ohm 1/2 Watt Resistor
- R30-100K Ohm 1/2 Watt Resistor
- R31-100K Ohm 1/2 Watt Resistor
- R32-100K Ohm 1/2 Watt Resistor
- R33-100K Ohm 1/2 Watt Resistor
- R34-100K Ohm 1/2 Watt Resistor
- R35-100K Ohm 1/2 Watt Resistor
- R36-100K Ohm 1/2 Watt Resistor
- R37-100K Ohm 1/2 Watt Resistor
- R38-100K Ohm 1/2 Watt Resistor
- R39-100K Ohm 1/2 Watt Resistor
- R40-100K Ohm 1/2 Watt Resistor
- R41-100K Ohm 1/2 Watt Resistor
- R42-100K Ohm 1/2 Watt Resistor
- R43-100K Ohm 1/2 Watt Resistor
- R44-100K Ohm 1/2 Watt Resistor
- R45-100K Ohm 1/2 Watt Resistor
- R46-100K Ohm 1/2 Watt Resistor
- R47-100K Ohm 1/2 Watt Resistor
- R48-100K Ohm 1/2 Watt Resistor
- R49-100K Ohm 1/2 Watt Resistor
- R50-100K Ohm 1/2 Watt Resistor

- C1-500PF 50V Paper Capacitor
- C2-500PF 50V Paper Capacitor
- C3-500PF 50V Paper Capacitor
- C4-500PF 50V Paper Capacitor
- C5-500PF 50V Paper Capacitor
- C6-500PF 50V Paper Capacitor
- C7-500PF 50V Paper Capacitor
- C8-500PF 50V Paper Capacitor
- C9-500PF 50V Paper Capacitor
- C10-500PF 50V Paper Capacitor
- C11-500PF 50V Paper Capacitor
- C12-500PF 50V Paper Capacitor
- C13-500PF 50V Paper Capacitor
- C14-500PF 50V Paper Capacitor
- C15-500PF 50V Paper Capacitor
- C16-500PF 50V Paper Capacitor
- C17-500PF 50V Paper Capacitor
- C18-500PF 50V Paper Capacitor
- C19-500PF 50V Paper Capacitor
- C20-500PF 50V Paper Capacitor
- C21-500PF 50V Paper Capacitor
- C22-500PF 50V Paper Capacitor
- C23-500PF 50V Paper Capacitor
- C24-500PF 50V Paper Capacitor
- C25-500PF 50V Paper Capacitor
- C26-500PF 50V Paper Capacitor
- C27-500PF 50V Paper Capacitor
- C28-500PF 50V Paper Capacitor
- C29-500PF 50V Paper Capacitor
- C30-500PF 50V Paper Capacitor
- C31-500PF 50V Paper Capacitor
- C32-500PF 50V Paper Capacitor
- C33-500PF 50V Paper Capacitor
- C34-500PF 50V Paper Capacitor
- C35-500PF 50V Paper Capacitor
- C36-500PF 50V Paper Capacitor
- C37-500PF 50V Paper Capacitor
- C38-500PF 50V Paper Capacitor
- C39-500PF 50V Paper Capacitor
- C40-500PF 50V Paper Capacitor
- C41-500PF 50V Paper Capacitor
- C42-500PF 50V Paper Capacitor
- C43-500PF 50V Paper Capacitor
- C44-500PF 50V Paper Capacitor
- C45-500PF 50V Paper Capacitor
- C46-500PF 50V Paper Capacitor
- C47-500PF 50V Paper Capacitor
- C48-500PF 50V Paper Capacitor
- C49-500PF 50V Paper Capacitor
- C50-500PF 50V Paper Capacitor