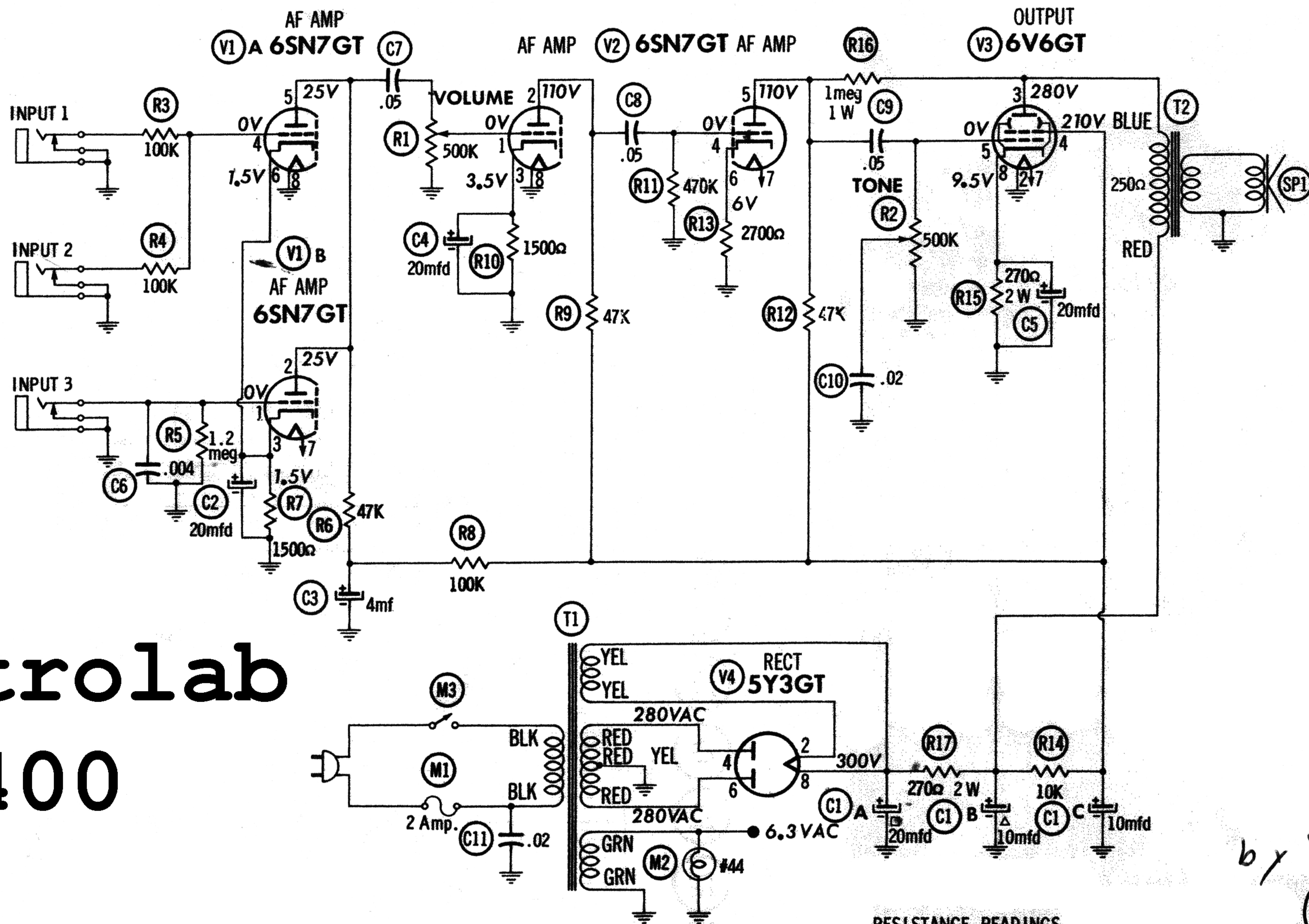


# Lectrolab R400



by "Sound Projects"  
(Spiegel)

1. DC voltage measurements taken with vacuum tube voltmeter; AC voltages measured at 1000 ohms per volt.
2. Socket connections are shown as bottom views.
3. Measured values are from socket pin to common negative.
4. Line voltage maintained at 117 volts for voltage readings.
5. Nominal tolerance on component values makes possible a variation of + 15% in voltage and resistance readings.
6. All controls at minimum, proper output load connected.

RESISTANCE READINGS

ITEM	TUBE	Pin 1	Pin 2	Pin 3	Pin 4	Pin 5	Pin 6	Pin 7	Pin 8
V1	6SN7GT	0 $\Omega$	†160K	1500 $\Omega$	50K	†160K	1500 $\Omega$	.2 $\Omega$	0 $\Omega$
V2	6SN7GT	0 $\Omega$	†60K	1500 $\Omega$	470K	†60K	2700 $\Omega$	.2 $\Omega$	0 $\Omega$
V3	6V6GT	NC	0 $\Omega$	†520 $\Omega$	†10K	500K	TP	.2 $\Omega$	270 $\Omega$
V4	5Y3GT	NC	10K	NC	315 $\Omega$	NC	300 $\Omega$	NC	10K

† MEASURED FROM PIN 8 OF V4.  
NC NO CONNECTION  
TP TIE POINT

A PHOTOFAC STANDARD NOTATION SCHEMATIC  
© Howard W. Sams & Co., Inc. 1957

351-9

Note: R400C has different tubes  
& tremolo

(1) EL84  
(2) 12AX7  
(1) 6X4