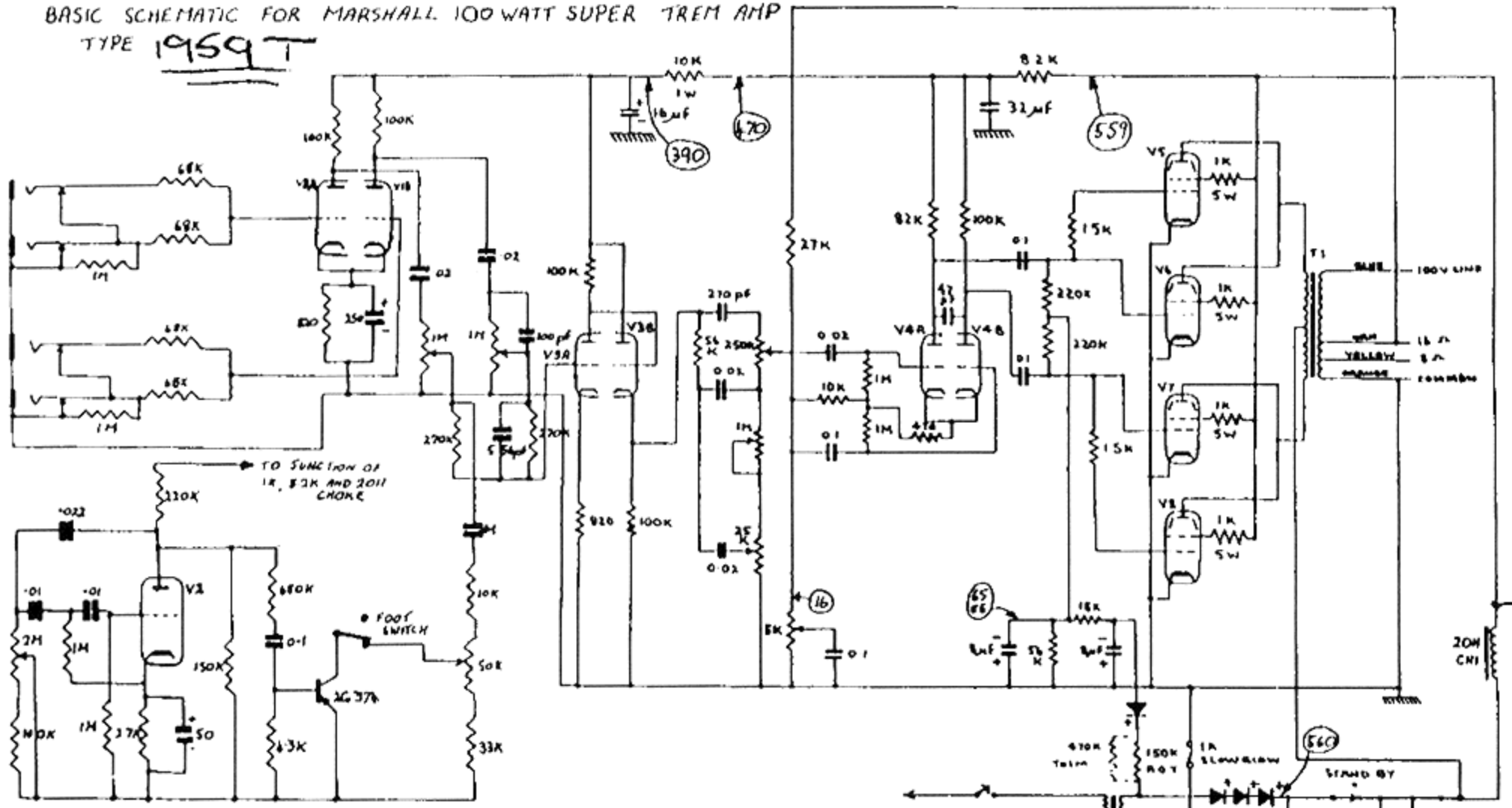


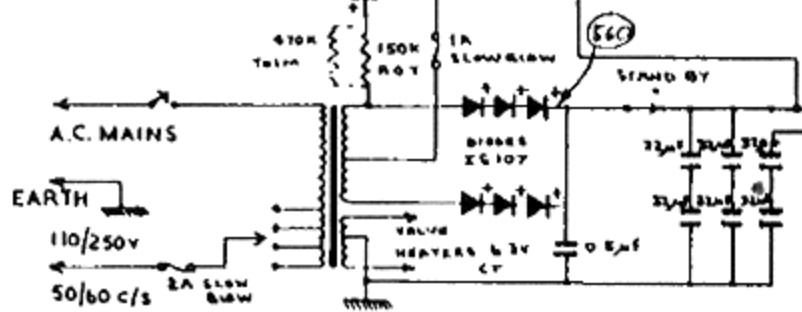
BASIC SCHEMATIC FOR MARSHALL 100 WATT SUPER TREM AMP
TYPE 1959T



VALVE VOLTAGE CHART

VALVE	1	2	3	4	5	6	7	8	9
V ₁	285	0	2		285	0	2		
V ₂	175	0	1.5		100	225	225		
V ₃	225	0	1.4		300	+	52		
V ₄	310	+	52						
V ₅			560	559					
V ₆			560	559					
V ₇			560	559					
V ₈			560	559					

Notes: 2VOLT AC HEATERS, 5VOLT AC HEATERS, 1A SLOW BLOW



ALL RESISTORS ARE HALF WATT UNLESS OTHERWISE STATED
ALL VOLTAGES MEASURED TO CHASSIS UNDER NO SIGNAL
CONDITIONS WITH AN AVO MODEL B 1K II
METER SENSITIVITY 20,000 Ω/V.