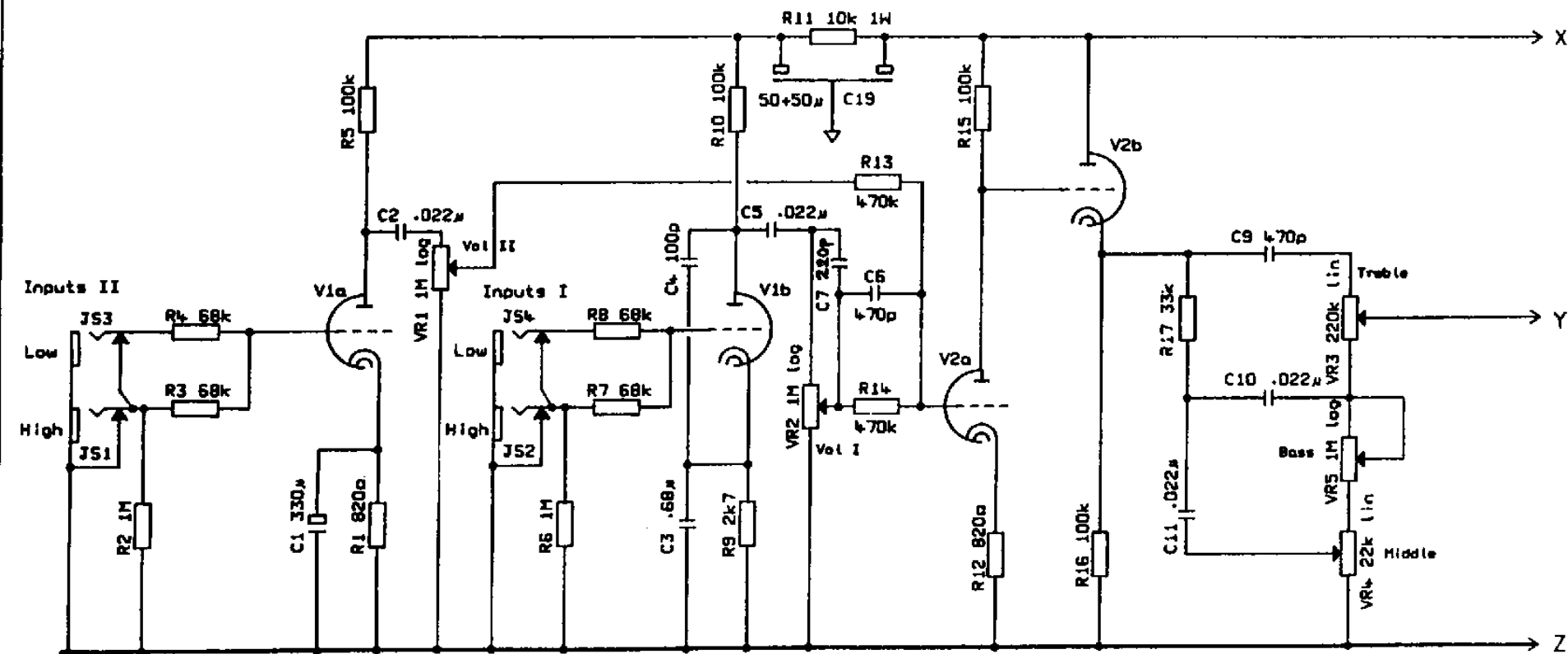


NOTES

PCB: JM80

V1.2: ECC83. Filament supply shown on power stage diagram.

JS3.4 chassis mounted and linked to board



4	18-5-88	CPV
---	---------	-----

ISS.	DATE	DRN.
------	------	------

DRAWING NUMBER

1987 STD
Preamp

MARSHALL

JIM MARSHALL
PRODUCTS LTD.
BLETCHLEY
MILTON KEYNES
ENGLAND
File: 1987PRE-DGM

