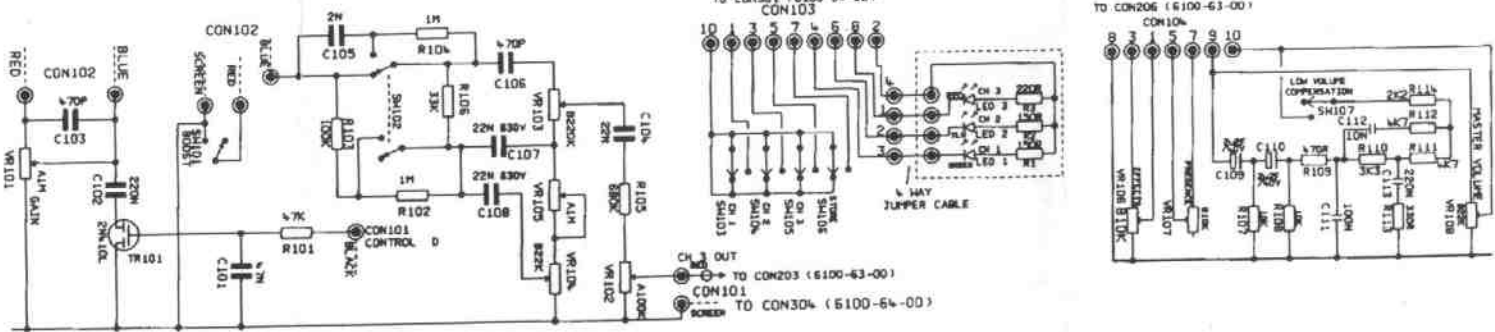




DWG. No. 6100-62-04



C101-NDT FITTED

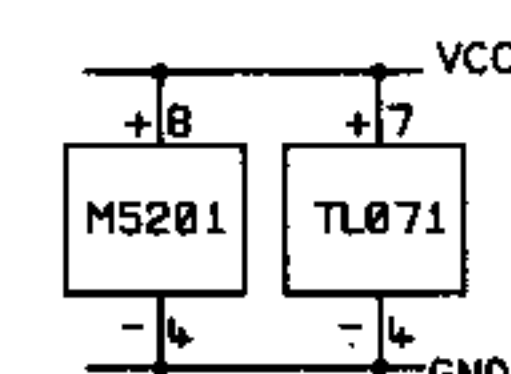
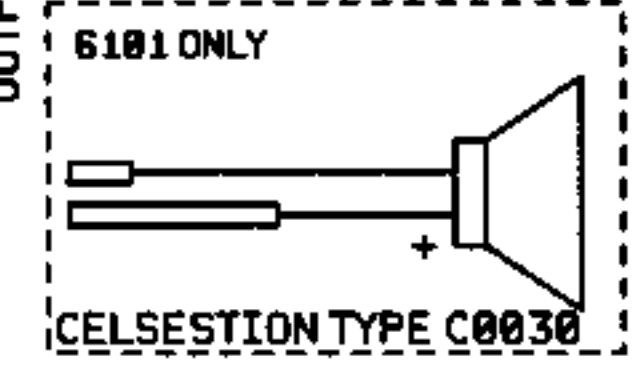
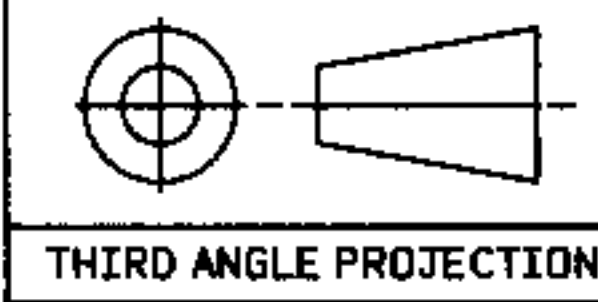
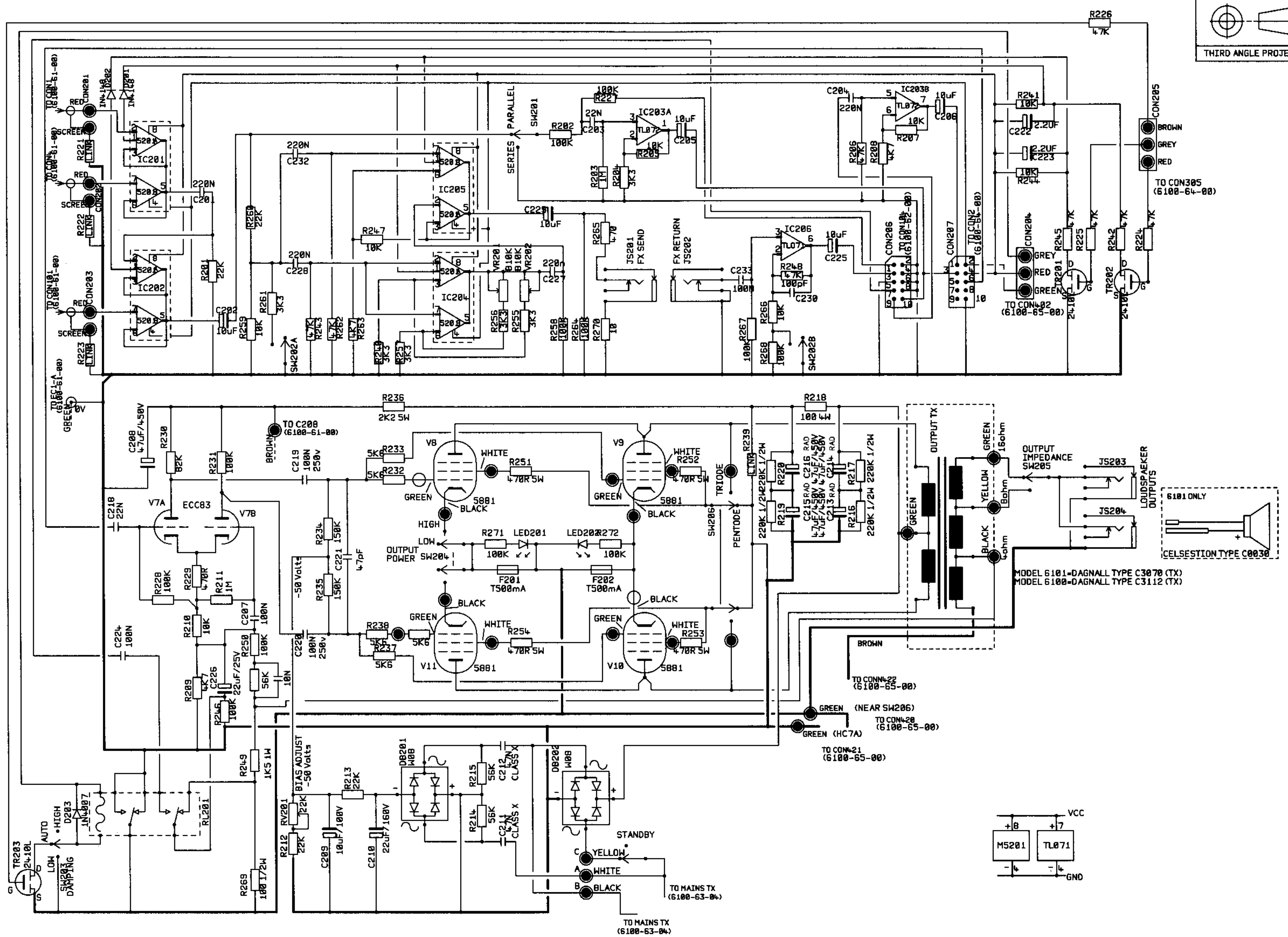
UNSPECIFIED-HOLE DATA			REVISION		APPROVED BY		TITLE	
	A	H	INITIAL		TELEPHONE (OR MAIL ADDRESS STATE)		LEAD/MASTER CCT	A3
	B	J	DATE		ADDRESS			
	C	K	EXTENSION, S/A		CITY/STATE		CONG. No. 6100-62-04	ISSUE 1
	D	L	ISSUE		PHONE			
	E	M	DATE	NOV 15/05/52				
	F	N	CHECKED	SAV		6100/6101		
	G	P	APPROVED	SAV				
ISS	ECO NUMBER	DATE						

*Marshall*

REPRODUCTION OF THIS DOCUMENT IS NOT PERMITTED WITHOUT THE WRITTEN PERMISSION OF THE MARSHALL SERVICE CENTER. ALL RIGHTS RESERVED. MARSHALL SERVICE CENTER, 1200 W. 10TH AVENUE, DENVER, CO. 80202

DWG. NO. 6100-63-04

NOTE -- ADJUST BIAS TO -50Volts  
(NO SIGNAL CONDITION)



UNSPECIFIED HOLE DATA

			A
			B
			C
4	0408	24-8-93	D
3	0394	6-8-93	E
2	0249	15/07/92	F
ISS	ECO NUMBER	DATE	G

			H
			I
			J
			K
			L
			M
			N
			O
			P

MATERIAL		DIMENSIONS IN	
MATERIAL THICKNESS		TOLERANCE (UNLESS OTHERWISE STATED)	
INTERNAL BEND RADII		DIMENSIONAL	
EXTERNAL B/A		CENTRES	
BEND DIE		ANGULAR	
DRAWN T,F	DATE 15/05/92	MODEL 6100/6101	
CHECKED	DATE		
APPROVED	DATE		

MATERIAL		DIMENSIONS IN	
MATERIAL THICKNESS		TOLERANCE (UNLESS OTHERWISE STATED)	
INTERNAL BEND RADII		DIMENSIONAL	
EXTERNAL B/A		CENTRES	
BEND DIE		ANGULAR	
DRAWN T,F	DATE 15/05/92	MODEL 6100/6101	
CHECKED	DATE		
APPROVED	DATE		

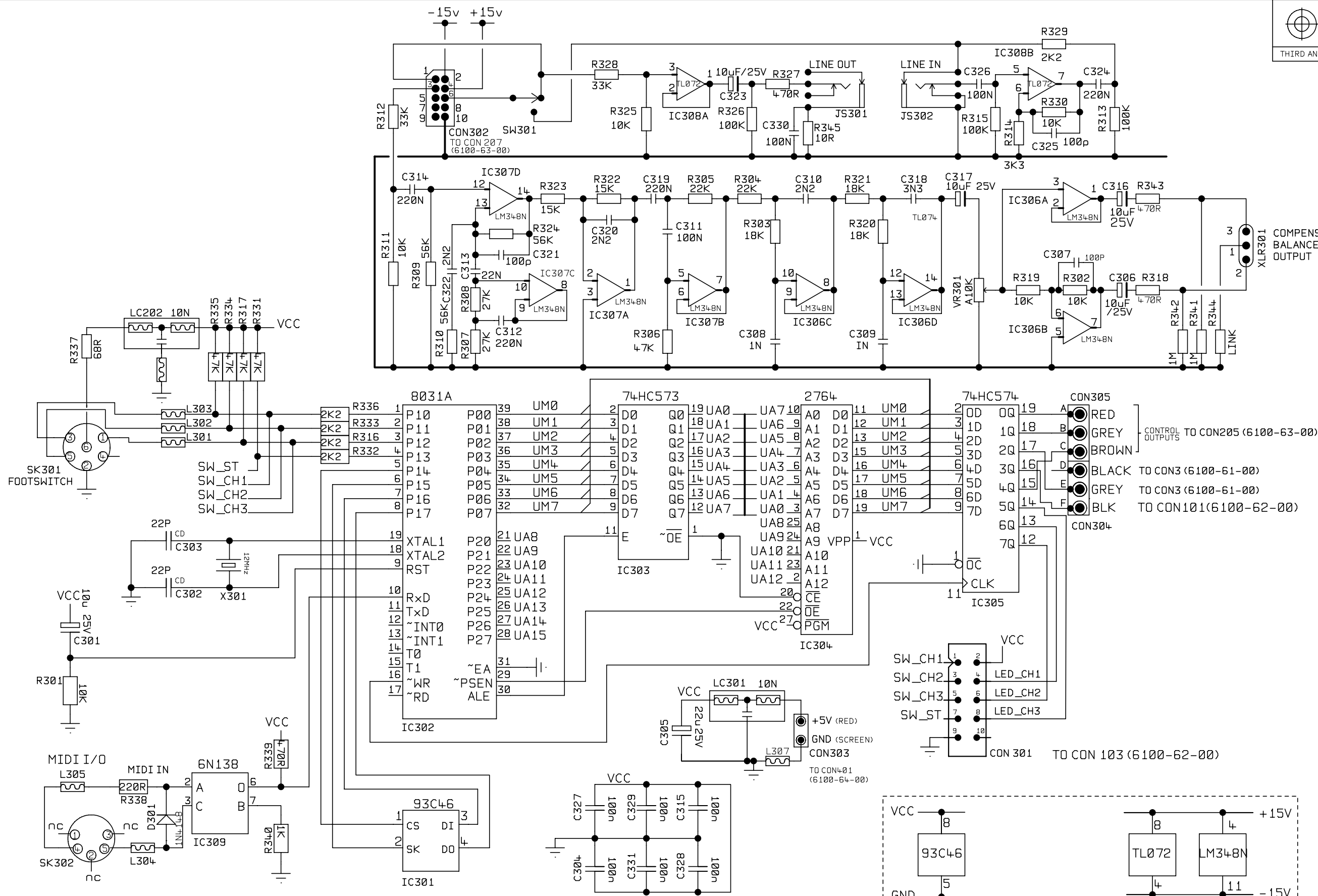
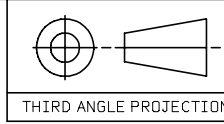
*Marshall*

COPYRIGHT EXISTS ON THIS DOCUMENT. IT MUST NOT BE USED FOR ANY PURPOSE THAN THAT FOR WHICH IT IS SUPPLIED AND MUST NOT BE COPIED OR IN PART WITHOUT WRITTEN PERMISSION FROM

MARSHALL AMPLIFICATION PLC.  
DENBIGH ROAD, BLETCHLEY, MILTON KEYNES, MK1 10Q.  
TEL (0580)375411 FAX (0580)376110

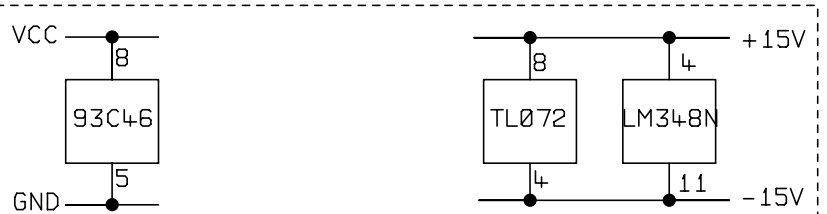
TITLE		ISSUE
POWER AMP CCT		
DWG.No	6100-63-04	4

DWG.No.6100-64-04



COMPENSATED BALANCED OUTPUT  
XLR301

CONTROL OUTPUTS TO CON205 (6100-63-00)  
TO CON3 (6100-61-00)  
TO CON3 (6100-61-00)  
TO CON101(6100-62-00)



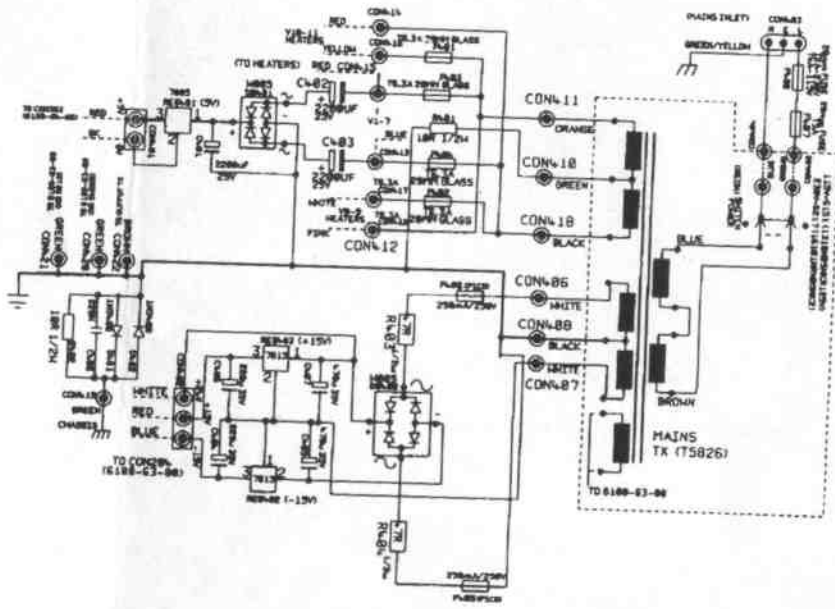
UNSPECIFIED HOLE DATA				MATERIAL		DIMENSIONS IN		TITLE	
	A	H		MATERIAL THICKNESS	TOLERANCE (UNLESS OTHERWISE STATED)				
	B	J		INTERNAL BEND RADIUS	DIMENSIONAL				
	C	K		EXTERNAL B/A	CENTRES				
	D	L		BEND DIE	ANGULAR				
3	0303	02/02/93	D	DRAWN T.F	DATE 07/12/91	MODEL			
2	0249	15/07/92	E	CHECKED	DATE				
1	RELEASED	07/12/91	F	APPROVED	DATE				
ISS	ECO NUMBER	DATE	G						

*Marshall*

COPYRIGHT EXISTS ON THIS DOCUMENT. IT MUST NOT BE USED FOR ANY PURPOSE THAN THAT FOR WHICH IT IS SUPPLIED AND MUST NOT BE COPIED OR IN PART) WITHOUT WRITTEN PERMISSION FROM  
© JIM MARSHALL (PRODUCTS) LTD.  
DENBIGH ROAD, BLETCHLEY, MILTON KEYNES, MK1 10Q.  
TEL (0908)375411 FAX (0908)376118

MIDI CCT  
A3  
DWG.No 6100-64-04  
ISSUE 3

DWG. No. 6100-65-04



		UNSPECIFIED HOLE DATA		REVISION		SYMBOLS IN		TITLE	
4	8219		A	H	FORMAL	SYMBOLS IN	SYMBOLS IN	PSU CCT	A3
3	8219	18/87/82	B	J	FORMAL	SYMBOLS IN	SYMBOLS IN		
2		18/86/82	C	K	FORMAL	SYMBOLS IN	SYMBOLS IN		
1	RELEASED	28/82/82	D	L	FORMAL	SYMBOLS IN	SYMBOLS IN		
153	ECO NUMBER	13/80/82	E	M	FORMAL	SYMBOLS IN	SYMBOLS IN		
			F	N	FORMAL	SYMBOLS IN	SYMBOLS IN		
			G	P	FORMAL	SYMBOLS IN	SYMBOLS IN		
				DATE 15/85/82		6100/6101		DWG. No 6100-65-04	
				ISSUE				4	

*Marshall*

REPRODUCED FROM THE ORIGINAL DRAWING AT THE MARSHALL LABORATORIES, BURNLEY, LANCASHIRE, ENGLAND. THE ORIGINAL DRAWING IS THE PROPERTY OF THE MARSHALL LABORATORIES AND IS NOT TO BE REPRODUCED OR TRANSMITTED IN ANY FORM OR BY ANY MEANS, ELECTRONIC OR MECHANICAL, INCLUDING PHOTOCOPYING, RECORDING, OR BY ANY INFORMATION STORAGE AND RETRIEVAL SYSTEM.