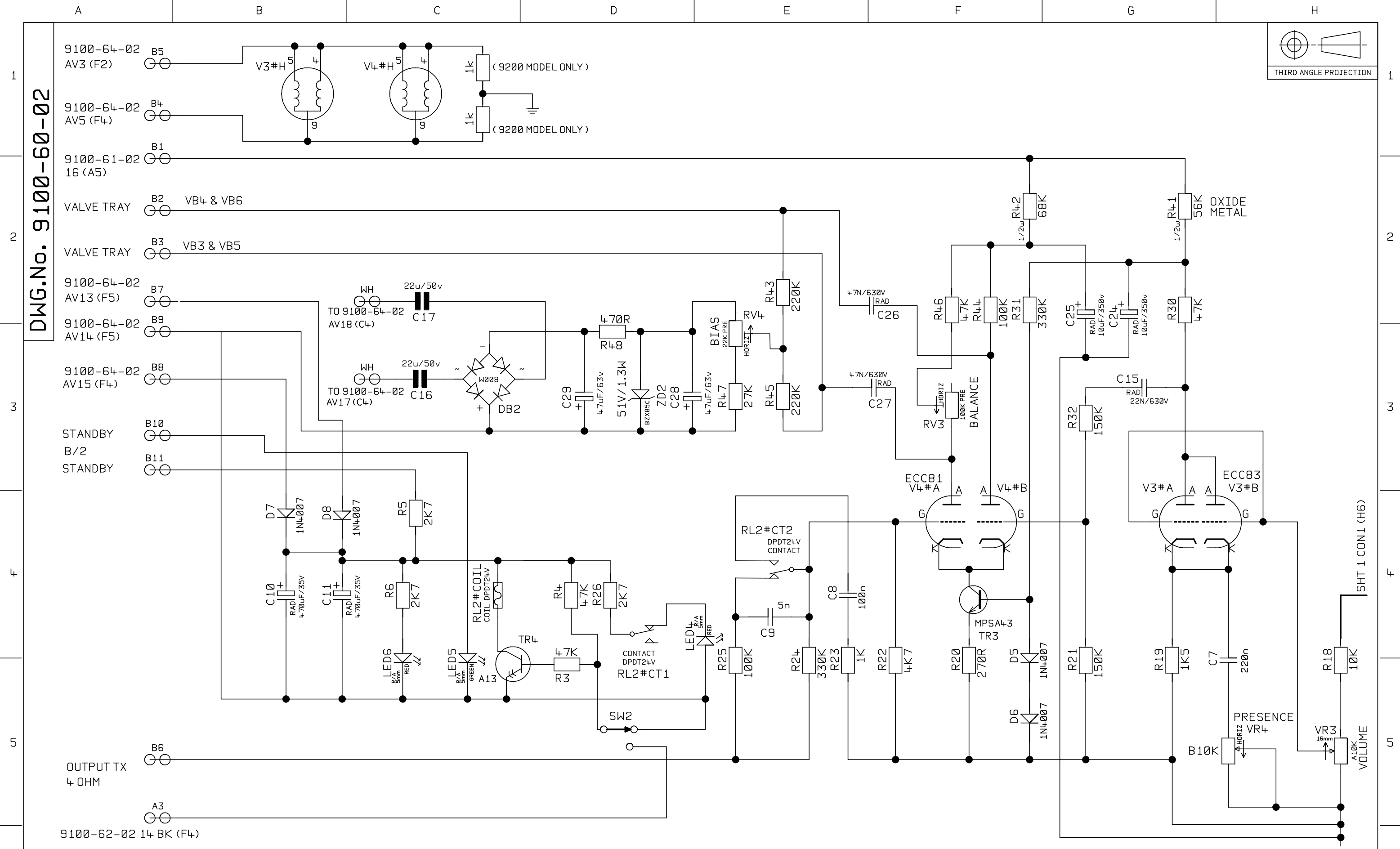
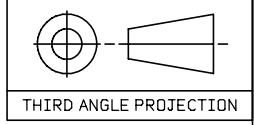


DWG.No. 9100-60-02



6	1313	01-11-96	A
5	0705	25-11-94	B
4	0725	27-10-94	C
3	0606	19-4-94	D
ISS	ECO NUMBER	DATE	G

UNSPECIFIED HOLE DATA	
A	H
B	J
C	K
D	L
E	M
F	N
G	P

MATERIAL	
MATERIAL THICKNESS	
INTERNAL BEND RADIUS	
EXTERNAL B/A	
BEND DIE	
DRAWN A.G.	DATE 8-6-93
CHECKED	DATE
APPROVED	DATE

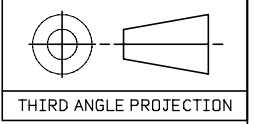
DIMENSIONS IN	
TOLERANCE (UNLESS OTHERWISE STATED)	
DIMENSIONAL	
CENTRES	
ANGULAR	
MODEL	
9100/9200	

Marshall

COPYRIGHT EXISTS ON THIS DOCUMENT. IT MUST NOT BE USED FOR ANY PURPOSE THAN THAT FOR WHICH IT IS SUPPLIED AND MUST NOT BE COPIED (IN WHOLE OR IN PART) WITHOUT WRITTEN PERMISSION FROM MARSHALL AMPLIFICATION PLC. DENBIGH ROAD, BLETCHLEY, MILTON KEYNES, MK1 10G. TEL: (0500) 375411 FAX: (0500) 376118

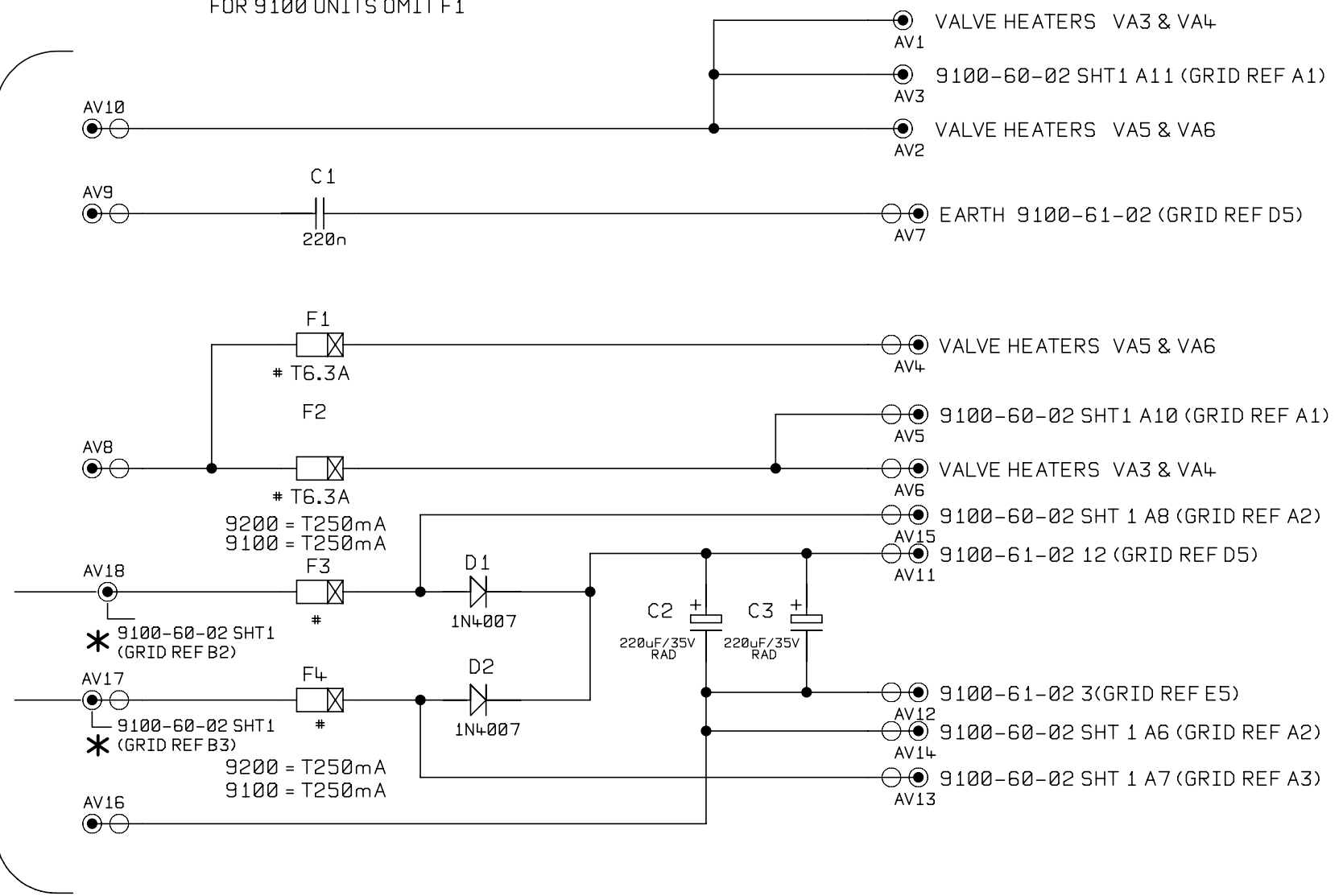
TITLE		SHEET 2 OF 2	
CCT DIAG		DRIVER PCB	
DWG.No		ISSUE	
9100-60-02		6	

DWG.No. 9100-63-02



MAINS TRANSFORMER

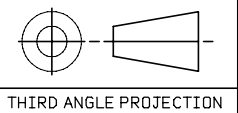
FOR 9100 UNITS OMIT F1



* SEMKO ONLY

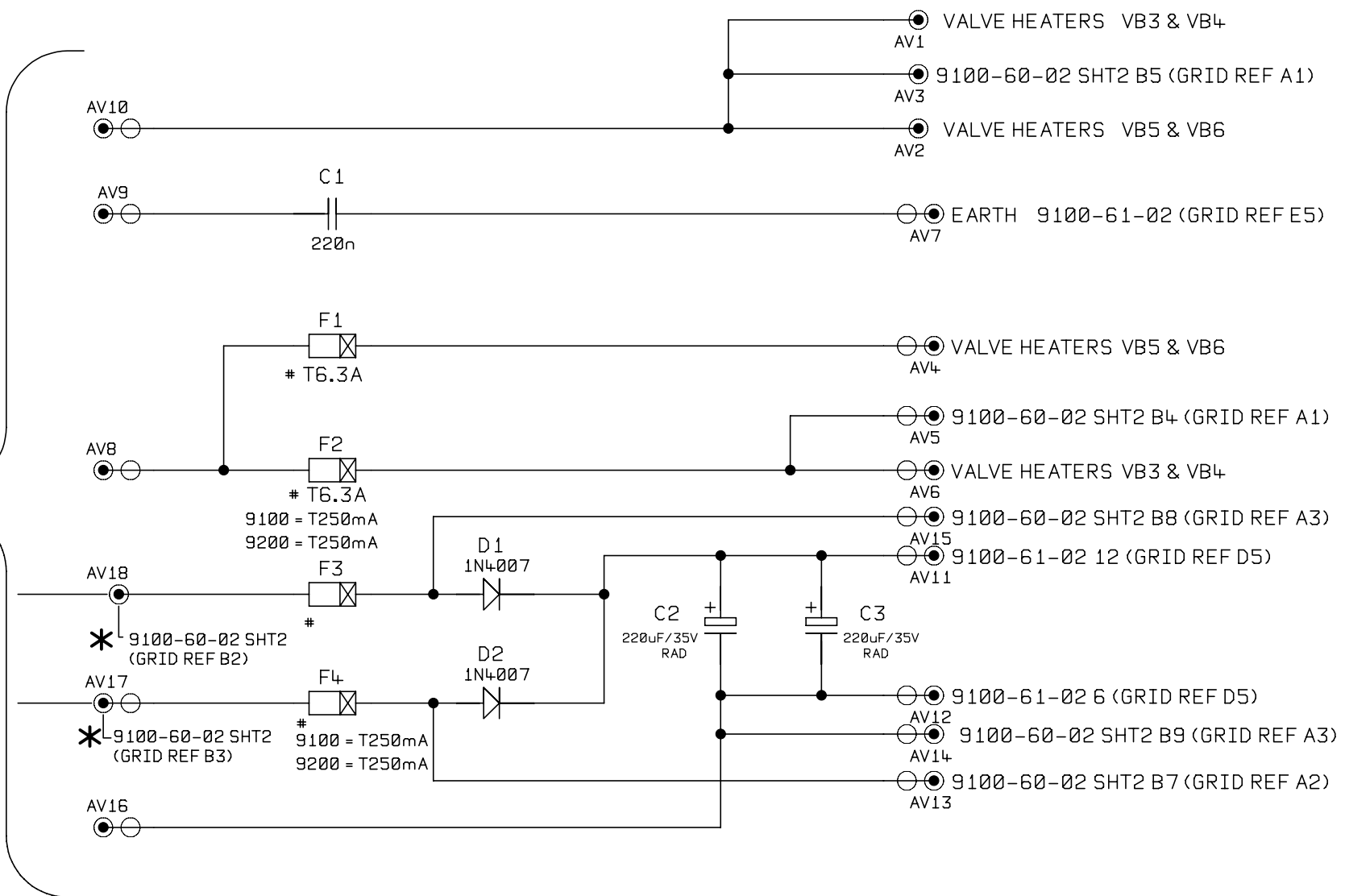
UNSPECIFIED HOLE DATA			MATERIAL		DIMENSIONS IN		TITLE	
		A	H	MATERIAL THICKNESS	TOLERANCE (UNLESS OTHERWISE STATED)	<p>COPYRIGHT EXISTS ON THIS DOCUMENT. IT MUST NOT BE USED FOR ANY PURPOSE THAN THAT FOR WHICH IT IS SUPPLIED AND MUST NOT BE COPIED (IN WHOLE OR IN PART) WITHOUT WRITTEN PERMISSION FROM MARSHALL AMPLIFICATION PLC. DENBIGH ROAD, BLETCHLEY, MILTON KEYNES, MK1 1DQ. TEL (0900)375411 FAX (0900)376118</p>		
7	0725	27-10-94	J	INTERNAL BEND RADIUS	DIMENSIONAL			
6	0659	8-6-94	K	EXTERNAL B/A	CENTRES			
5	0606	19-4-94	L	BEND DIE	ANGULAR			
4	0502	16-12-93	M	DRAWN A.G.	DATE 8-6-93			
3	0467	12-11-93	N	CHECKED	DATE			
ISS	ECO NUMBER	DATE	P	APPROVED	DATE			
9100/9200							CCT DIAG FUSE PCB'S DWG.No 9100-63-02 ISSUE 7	

DWG.No. 9100-64-02



MAINS TRANSFORMER

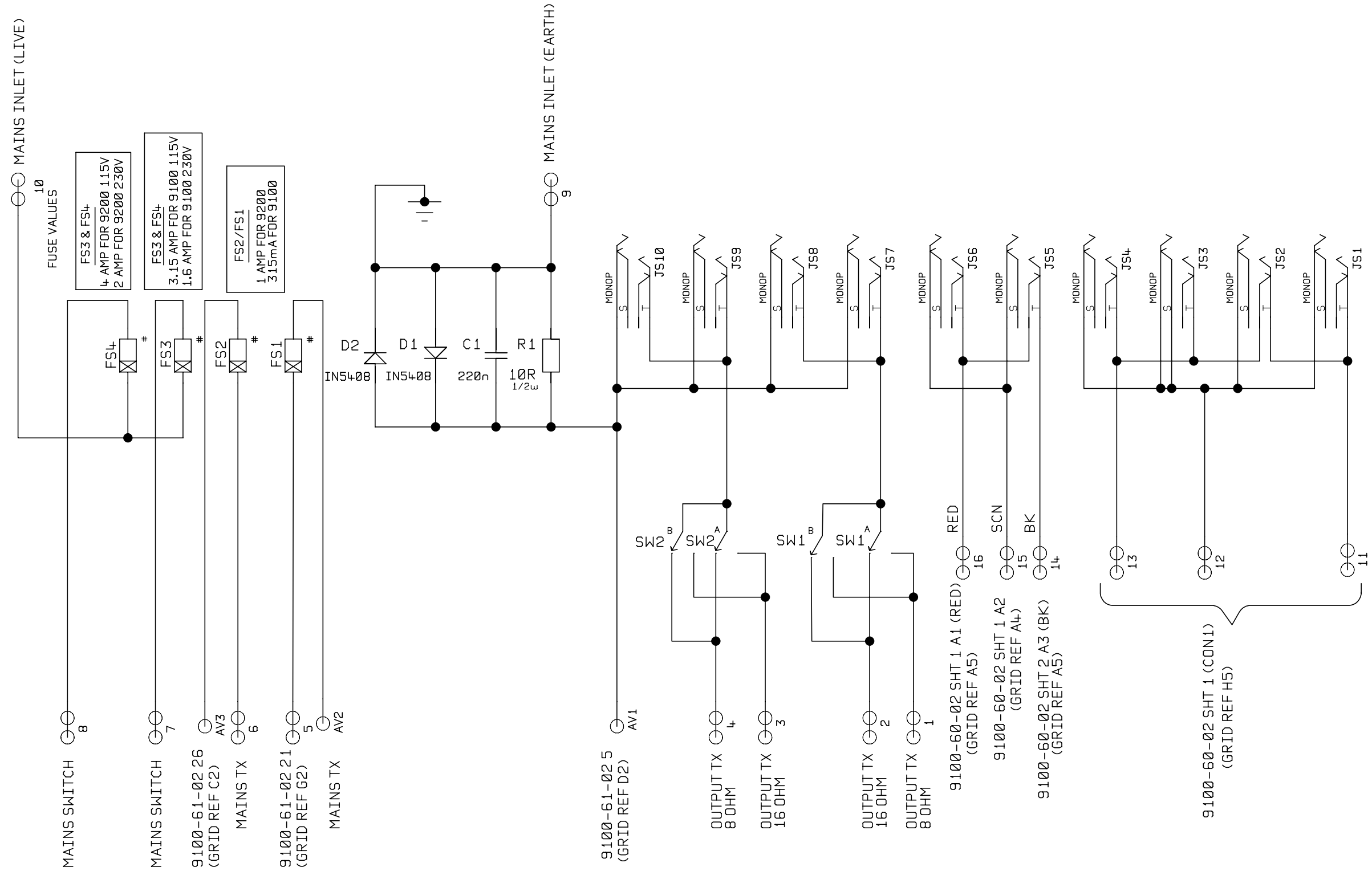
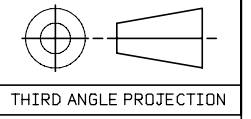
FOR 9100 UNITS OMIT F1



* SEMKO ONLY

UNSPECIFIED HOLE DATA			MATERIAL		DIMENSIONS IN		TITLE
A	B	H	MATERIAL THICKNESS	TOLERANCE (UNLESS OTHERWISE STATED)	DIMENSIONAL	CCT DIAG FUSE PCB'S	
7	0725	27-10-94	C	INTERNAL BEND RADIUS	CENTRES		<p><small>COPYRIGHT EXISTS ON THIS DOCUMENT. IT MUST NOT BE USED FOR ANY PURPOSE THAN THAT FOR WHICH IT IS SUPPLIED AND MUST NOT BE COPIED (IN WHOLE OR IN PART) WITHOUT WRITTEN PERMISSION FROM MARSHALL AMPLIFICATION PLC. DENBIGH ROAD, BLETCHLEY, MILTON KEYNES, MK1 10Q. TEL: (0500)375411 FAX: (0500)375118</small></p>
5	0606	19-4-94	D	EXTERNAL B/A	ANGULAR		
4	0502	16-12-93	E	BEND DIE	MODEL	DWG.No 9100-64-02	
3	0467	12-11-93	F	DRAWN A.G. DATE 8-6-93	9100/9200		ISSUE 7
ISS	ECO NUMBER	DATE	G	CHECKED DATE	APPROVED DATE		

DWG.No. 9100-62-02



UNSPECIFIED HOLE DATA

A	H
B	J
C	K
D	L
E	M
F	N
G	P

MATERIAL

MATERIAL THICKNESS	
INTERNAL BEND RADII	
EXTERNAL B/A	
BEND DIE	
DRAWN A.G.	DATE 8-6-93
CHECKED	DATE
APPROVED	DATE

DIMENSIONS IN

TOLERANCE (UNLESS OTHERWISE STATED)
DIMENSIONAL
CENTRES
ANGULAR
MODEL
9100/9200

Marshall

COPYRIGHT EXISTS ON THIS DOCUMENT. IT MUST NOT BE USED FOR ANY PURPOSE THAN THAT FOR WHICH IT IS SUPPLIED AND MUST NOT BE COPIED (IN WHOLE OR IN PART) WITHOUT WRITTEN PERMISSION FROM MARSHALL AMPLIFICATION PLC. DENBIGH ROAD, BLETCHLEY, MILTON KEYNES, MK1 1DQ. TEL (0908)375411 FAX (0908)376118

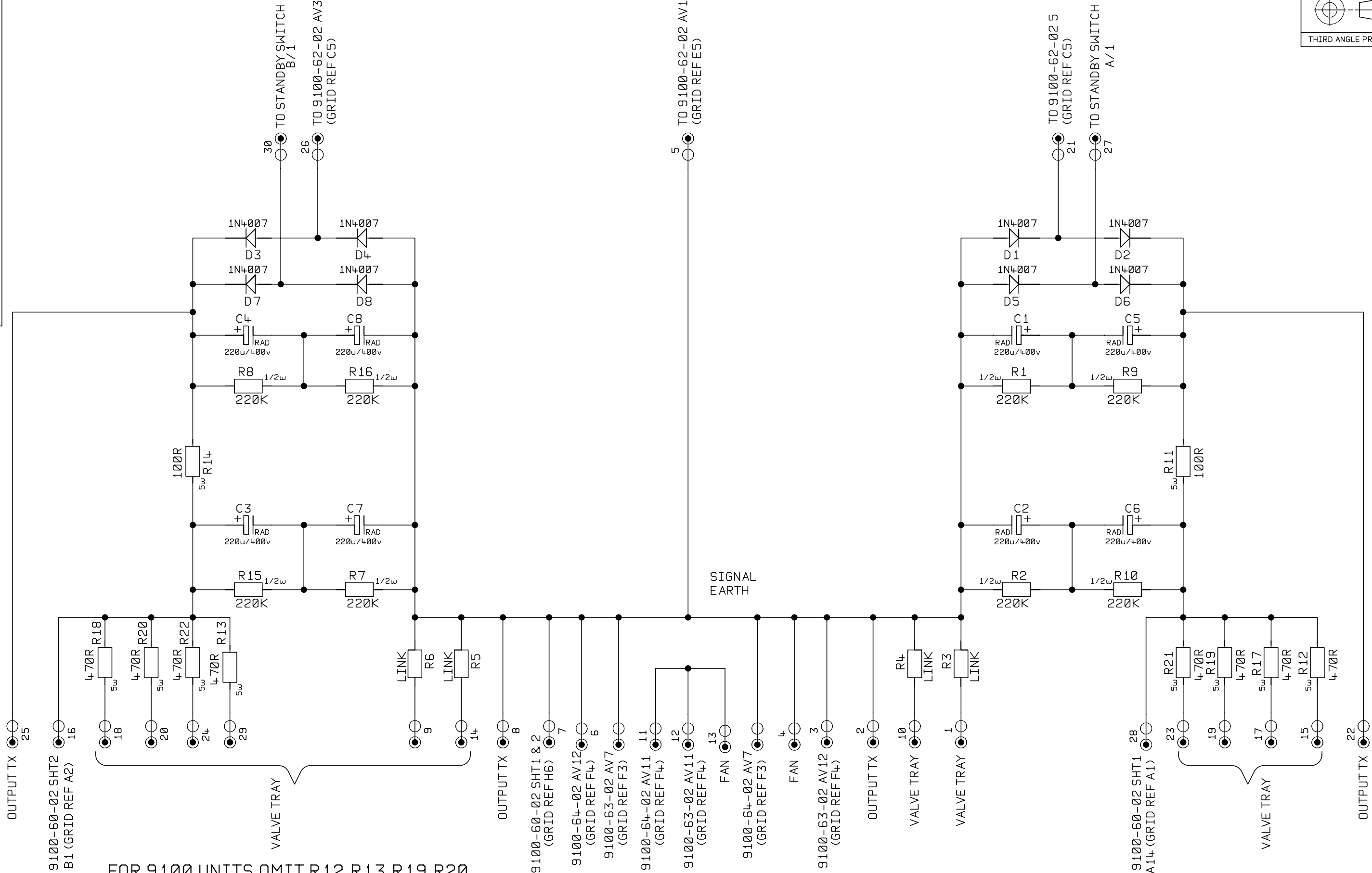
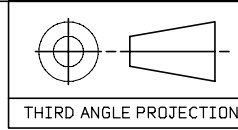
TITLE

CCT DIAG
INPUT/OUTPUT PCB

DWG.No 9100-62-02 ISSUE 4

4	0725	27-10-94
3	0659	8-6-94
ISS	ECO NUMBER	DATE

DWG.No. 9100-61-02



FOR 9100 UNITS OMIT R12,R13,R19,R20

UNSPECIFIED HOLE DATA		
	A	H
	B	J
6	0705	25-11-94
5	0725	27-10-94
4	0502	16-12-93
3	0467	12-11-93
ISS	ECO NUMBER	DATE

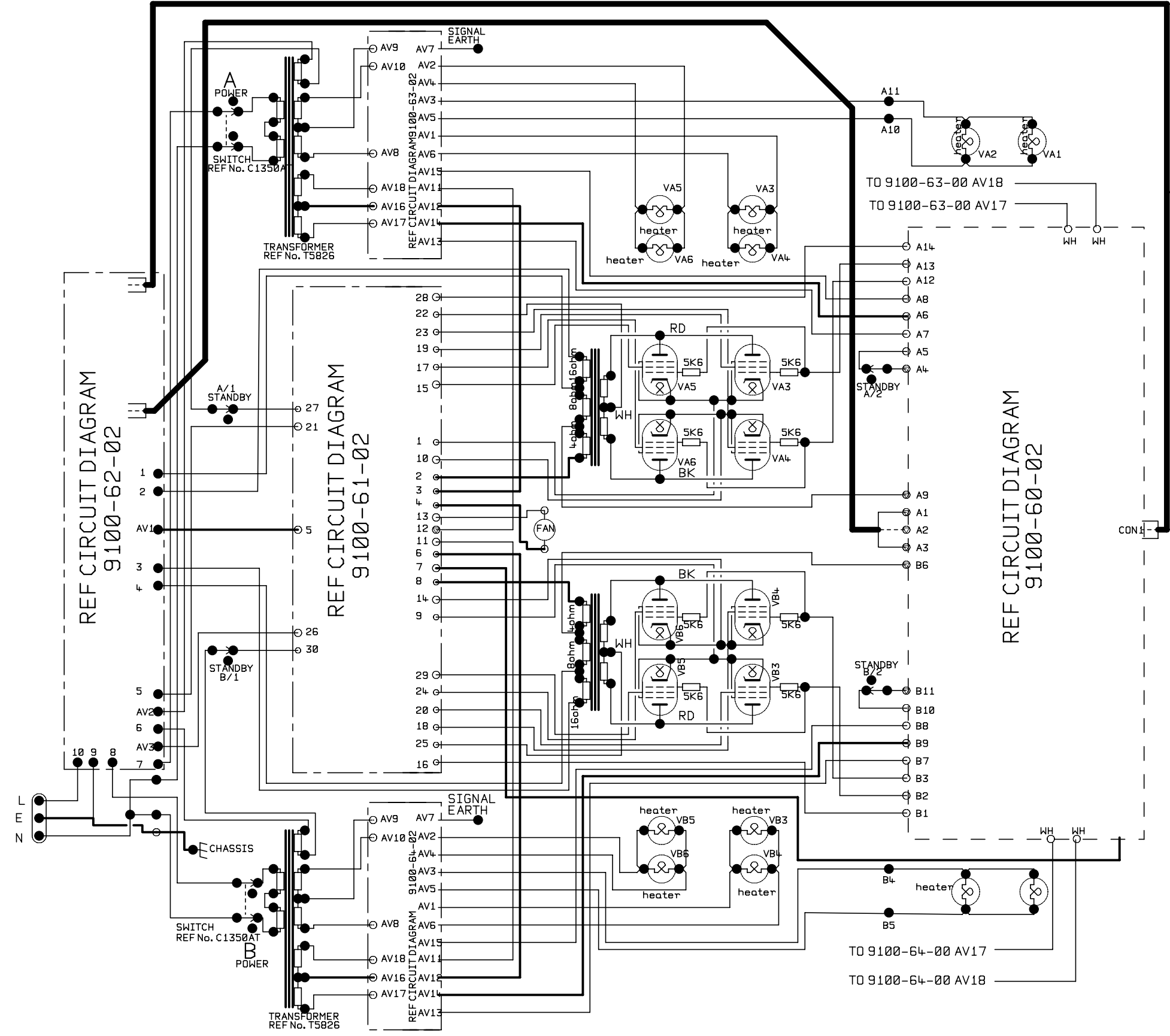
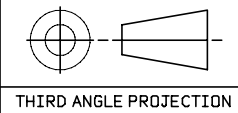
MATERIAL		DIMENSIONS IN	
MATERIAL THICKNESS		TOLERANCE (UNLESS OTHERWISE STATED)	
INTERNAL BEND RADIUS		DIMENSIONAL	
EXTERNAL B/A		CENTRES	
BEND DIE		ANGULAR	
DRAWN A.G.	DATE 8-6-93	MODEL	
CHECKED	DATE	9100/9200	
APPROVED	DATE		

Marshall

COPYRIGHT EXISTS ON THIS DOCUMENT. IT MUST NOT BE USED FOR ANY PURPOSE THAN THAT FOR WHICH IT IS SUPPLIED AND MUST NOT BE COPIED (IN WHOLE OR IN PART) WITHOUT WRITTEN PERMISSION FROM MARSHALL AMPLIFICATION PLC. DENBIGH ROAD, BLETCHLEY, MILTON KEYNES, MK1 1DG. TEL. (0908)375411 FAX (0908)376118

TITLE		ISSUE	
CCT DIAG PSU PCB		6	
DWG.No 9100-61-02			

DWG.No. 9200-65-02



REF CIRCUIT DIAGRAM
9100-62-02

REF CIRCUIT DIAGRAM
9100-61-02

REF CIRCUIT DIAGRAM
9100-60-02

UNSPECIFIED HOLE DATA

A	H
B	J
C	K
D	L
E	M
F	N
G	P

MATERIAL

MATERIAL THICKNESS	
INTERNAL BEND RADIUS	
EXTERNAL B/A	
BEND DIE	
DRAWN A.G.	DATE 13-9-93
CHECKED	DATE
APPROVED	DATE

DIMENSIONS IN

TOLERANCE (UNLESS OTHERWISE STATED)	
DIMENSIONAL	
CENTRES	
ANGULAR	
MODEL	9200



COPYRIGHT EXISTS ON THIS DOCUMENT. IT MUST NOT BE USED FOR ANY PURPOSE THAN THAT FOR WHICH IT IS SUPPLIED AND MUST NOT BE COPIED (IN WHOLE OR IN PART) WITHOUT WRITTEN PERMISSION FROM MARSHALL AMPLIFICATION PLC. DENBIGH ROAD, BLETCHLEY, MILTON KEYNES, MK1 1DQ. TEL (0908)375411 FAX (0908)376118

TITLE

9100/9200 CCT DIAG	
DWG.No	ISSUE
9200-65-02	5

5	0725	27-10-94
4	0606	19-4-94
3	0502	16-12-93
ISS	ECO NUMBER	DATE