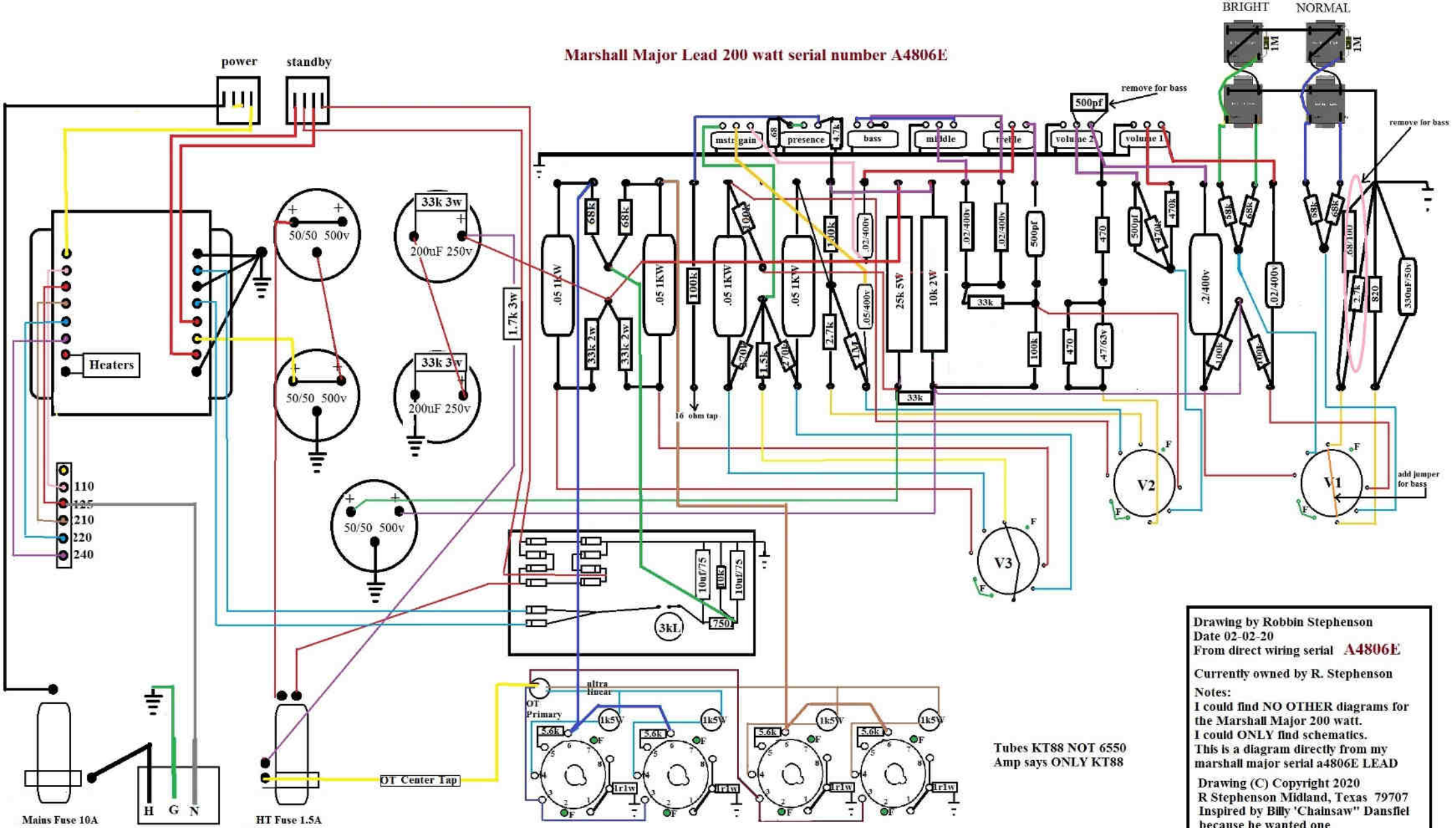


Marshall Major Lead 200 watt serial number A4806E



Drawing by Robbin Stephenson
Date 02-02-20
From direct wiring serial **A4806E**
Currently owned by R. Stephenson
Notes:
I could find NO OTHER diagrams for the Marshall Major 200 watt.
I could ONLY find schematics.
This is a diagram directly from my marshall major serial a4806E LEAD
Drawing (C) Copyright 2020
R Stephenson Midland, Texas 79707
Inspired by Billy 'Chainsaw' Dansfel because he wanted one

Tubes KT88 NOT 6550
Amp says ONLY KT88