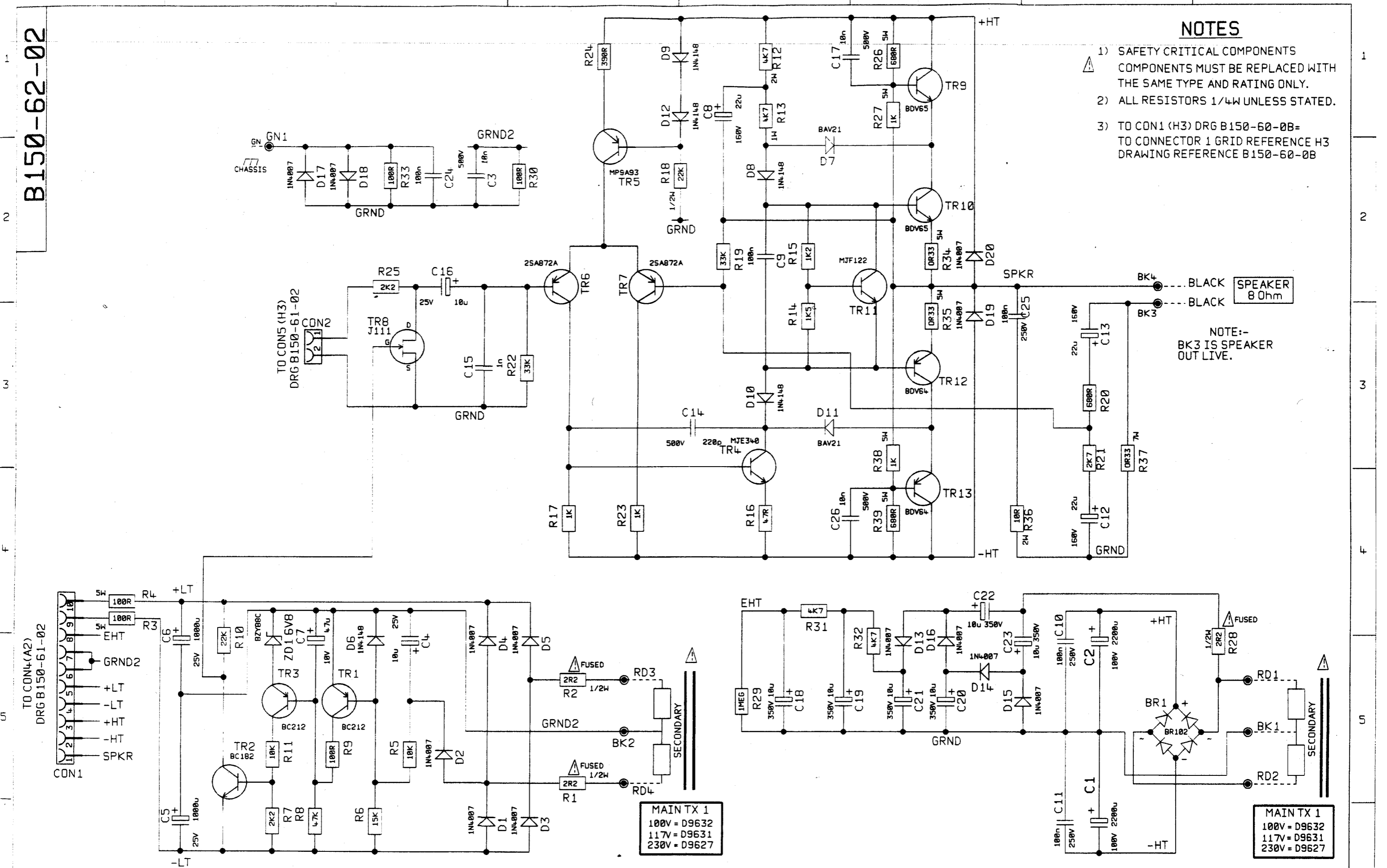


B150-62-02

NOTES

- 1) SAFETY CRITICAL COMPONENTS COMPONENTS MUST BE REPLACED WITH THE SAME TYPE AND RATING ONLY.
- 2) ALL RESISTORS 1/4W UNLESS STATED.
- 3) TO CON1 (H3) DRG B150-60-0B- TO CONNECTOR 1 GRID REFERENCE H3 DRAWING REFERENCE B150-60-0B



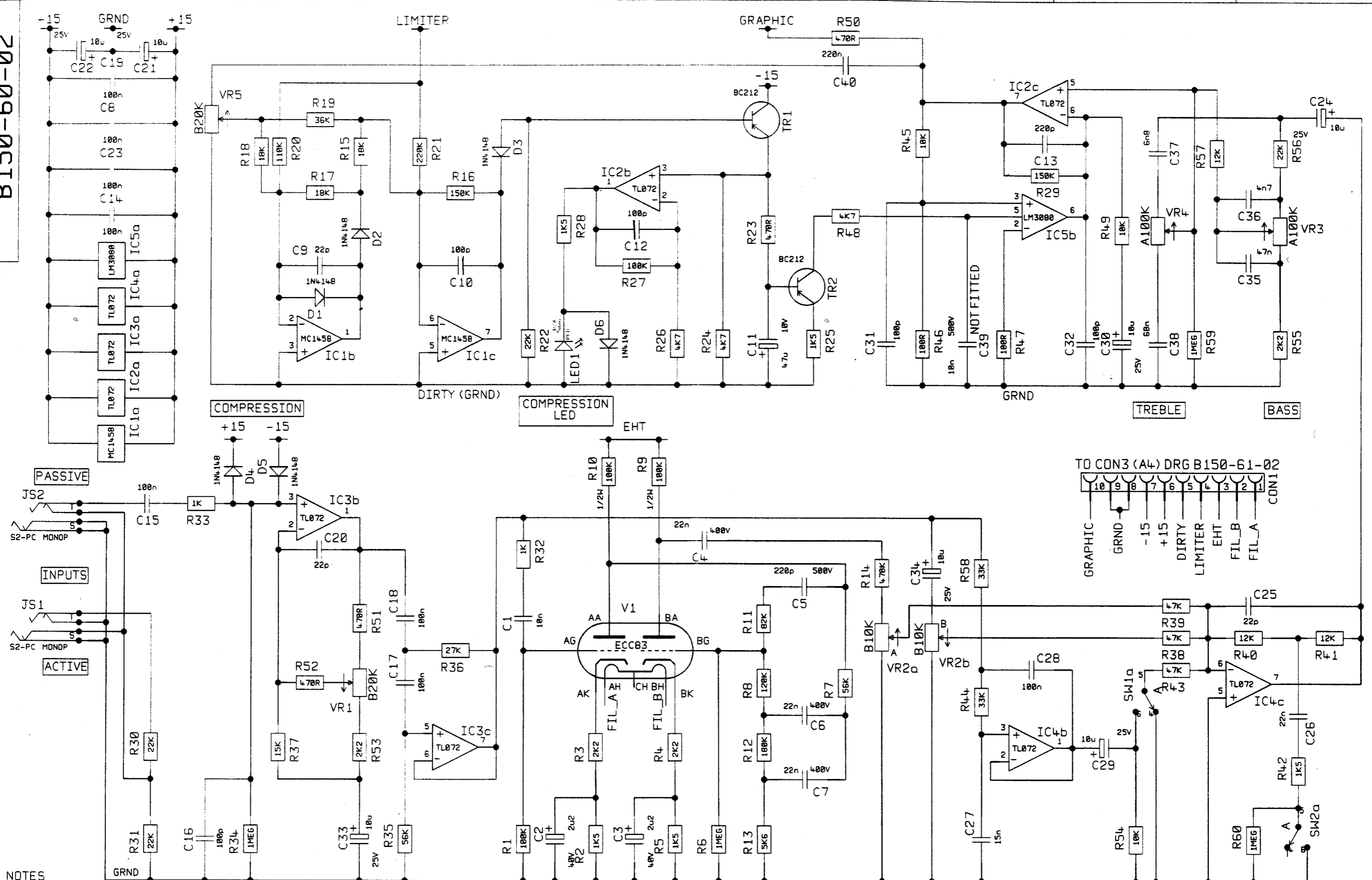
NOTE:- BK3 IS SPEAKER OUT LIVE.

MAIN TX 1  
100V = D9632  
117V = D9631  
230V = D9627

MAIN TX 1  
100V = D9632  
117V = D9631  
230V = D9627

ISS		ECO NUMBER	DATE	ALL OTHER HOLES =				X = (THROUGH PLATED)				MATERIAL		DIMENSIONS I:				TITLE	
A	B	C	D	E	F	G	H	J	K	L	M	N	P	Q	R			TOLERANCE (UNLESS OTHERWISE STATED):	
												DRAWN B.KEIR DATE 30.05.95		MODEL B150		DWG.No B150-62-02		ISS 1	
												CHECKED: [Signature] DATE 14.2.96							

B150-60-02



- NOTES
- 1) ALL RESISTORS 1/4W UNLESS STATED.
  - 2) SWITCHES ARE SHOWN IN THE OFF POS. (OUT)
  - 3) TO CON3 (A4) = TO CONNECTOR 9 GRID REF A4- DRG B150-60-08
  - 4) C39 IS NOT FITTED.

ALL OTHER HOLES =		X = (THROUGH PLATED)		MATERIAL		DIMENSIONS IN	
A	B	C	D	E	F	G	H
2	1165	8-10-96					
ISS	ECO NUMBER	DATE					

MATERIAL THICKNESS		DATE		TOLERANCE (UNLESS OTHERWISE STATED)	
DRAWN	B.KEIR	DATE	07.06.95		
CHECKED		DATE			
APPROVED		DATE			

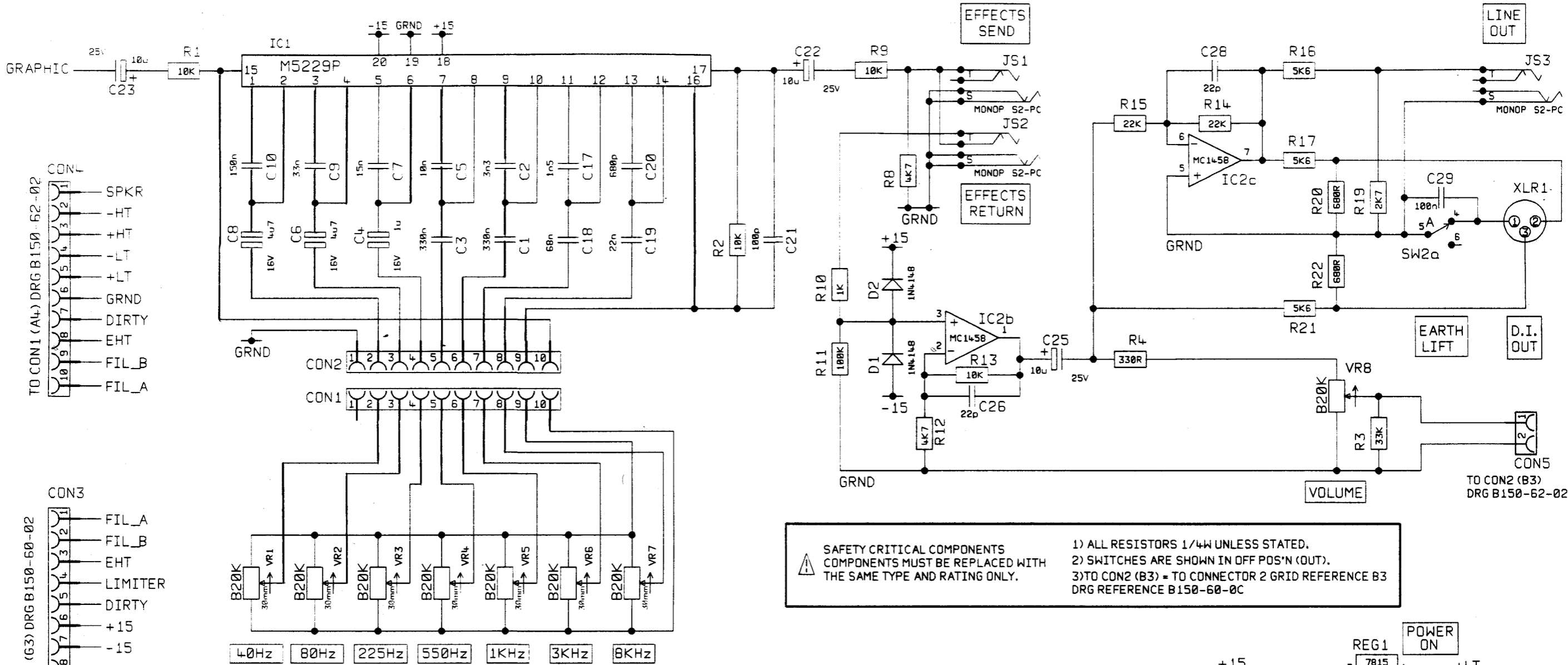
  

TITLE		ISS	
PRE AMP 1 CIRCUIT			
DWG.No	B150-60-02		2



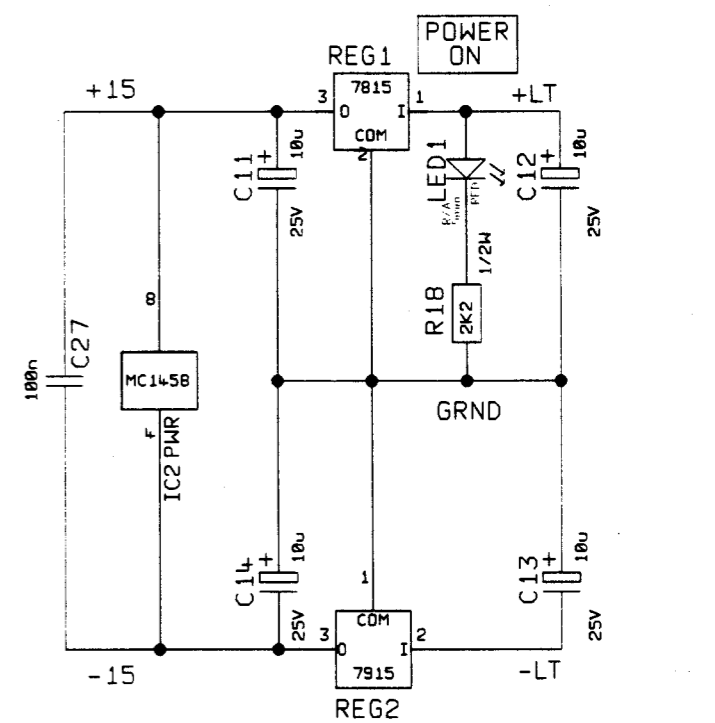
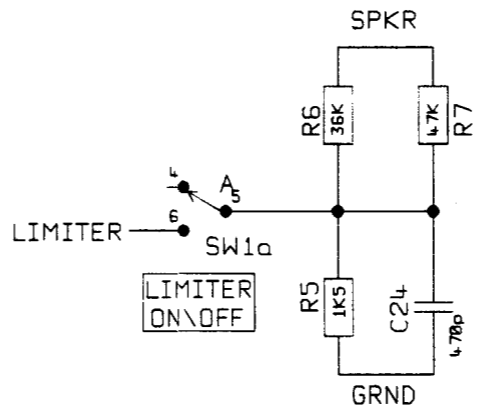
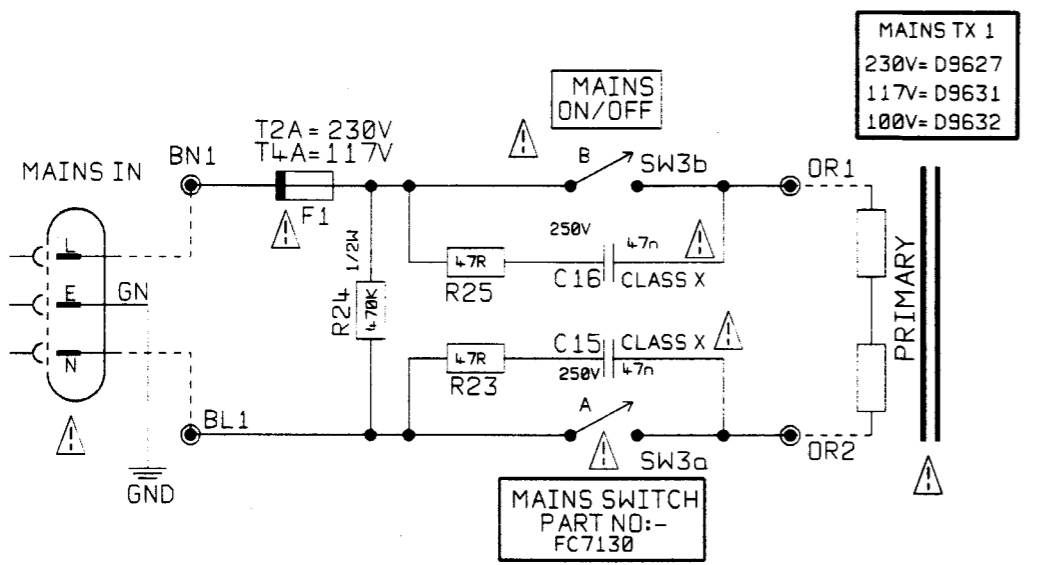
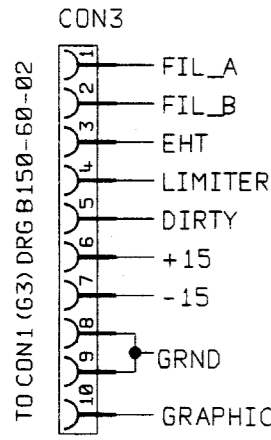
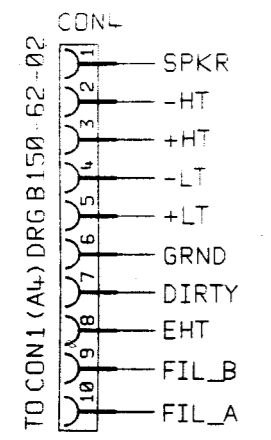
© JIM MARSHALL PRODUCTS LTD.  
 1000 W. 10TH AVENUE, DENVER, CO 80202, U.S.A.  
 TEL: (303) 733-1111 FAX: (303) 733-1112

MODEL B150



SAFETY CRITICAL COMPONENTS MUST BE REPLACED WITH THE SAME TYPE AND RATING ONLY.

1) ALL RESISTORS 1/4W UNLESS STATED.  
 2) SWITCHES ARE SHOWN IN OFF POS'N (OUT).  
 3) TO CON2 (B3) = TO CONNECTOR 2 GRID REFERENCE B3 DRG REFERENCE B150-60-0C



ISS	ECO NUMBER	DATE	ALL OTHER HOLES =				X = (THROUGH PLATED)				MATERIAL	DIMENSIONS IN.	TITLE	
			A	E	J	N					MATERIAL THICKNESS	TOLERANCE (UNLESS OTHERWISE STATED)	PRE AMP 2 CIRCUIT	
			B	F	K	P				DRAWN B.KEIR	DATE 08.06.95		DWG.No	ISS
			C	G	L	Q				CHECKED K.KEIR	DATE 8.2.96	MODEL	B150	B150-61-02
			D	H	M	R				APPROVED	DATE			1

