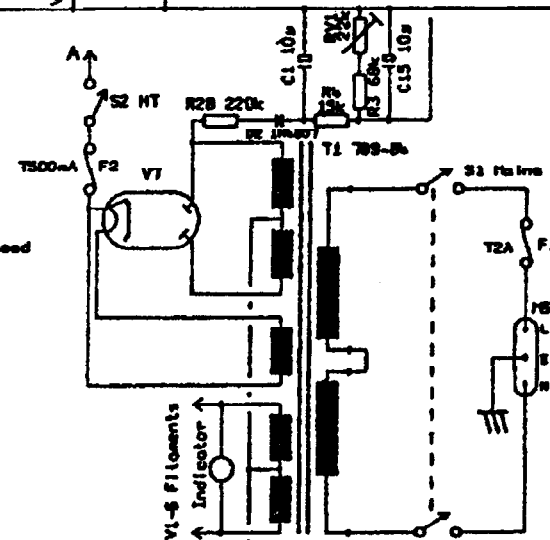
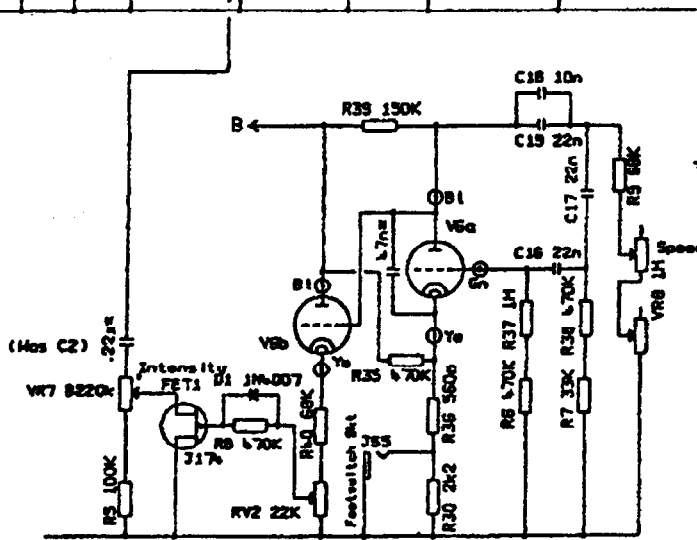
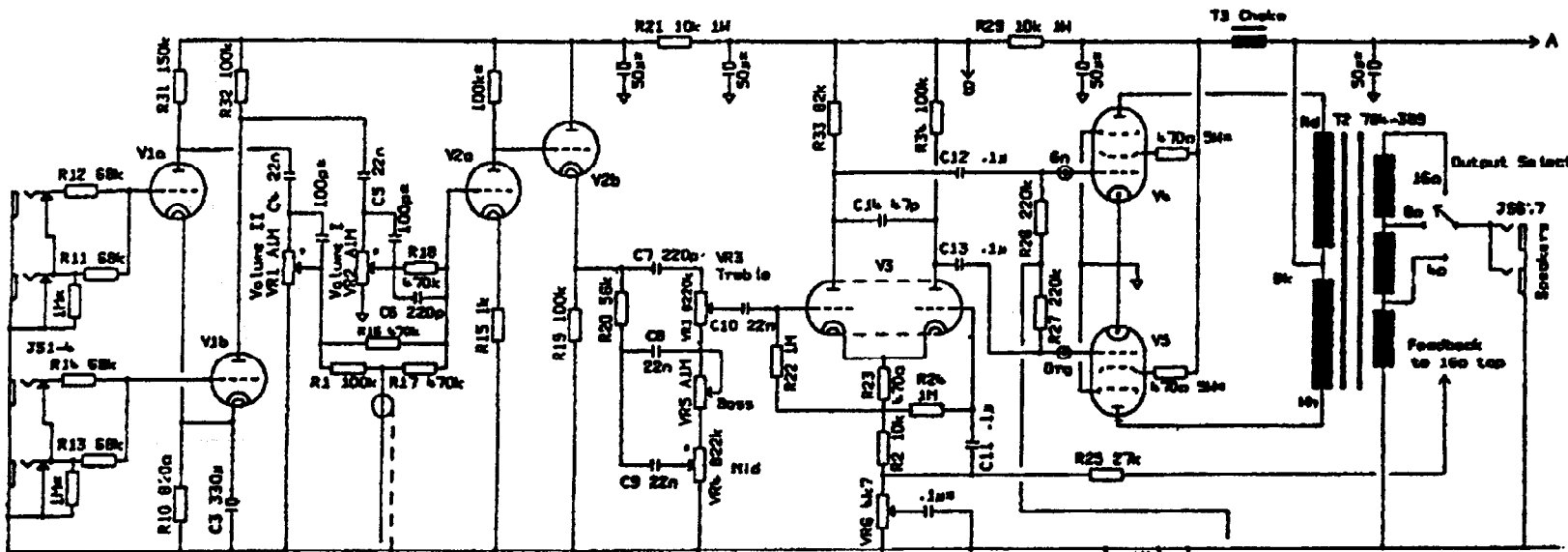


# BLUESBREAKER REISSUE (MODEL 1962)

# Marshall



**NOTES**

V1-3,8: ECC83  
 V4,5: 6L6  
 V7: 6Z4 Rectifier  
 PCB: 31P6AA  
 Components marked \* are off PCB.

1	28-3-69	SKB
ISS. DATE	DRN.	

**1962 STD**  
**Reissue**  
 Valve Tremolo Combo

**MARSHALL**

JIM MARSHALL  
 PRODUCTS LTD.  
 BLECHLEY  
 MILTON KEYNES  
 ENGLAND  
 File: 2282 601