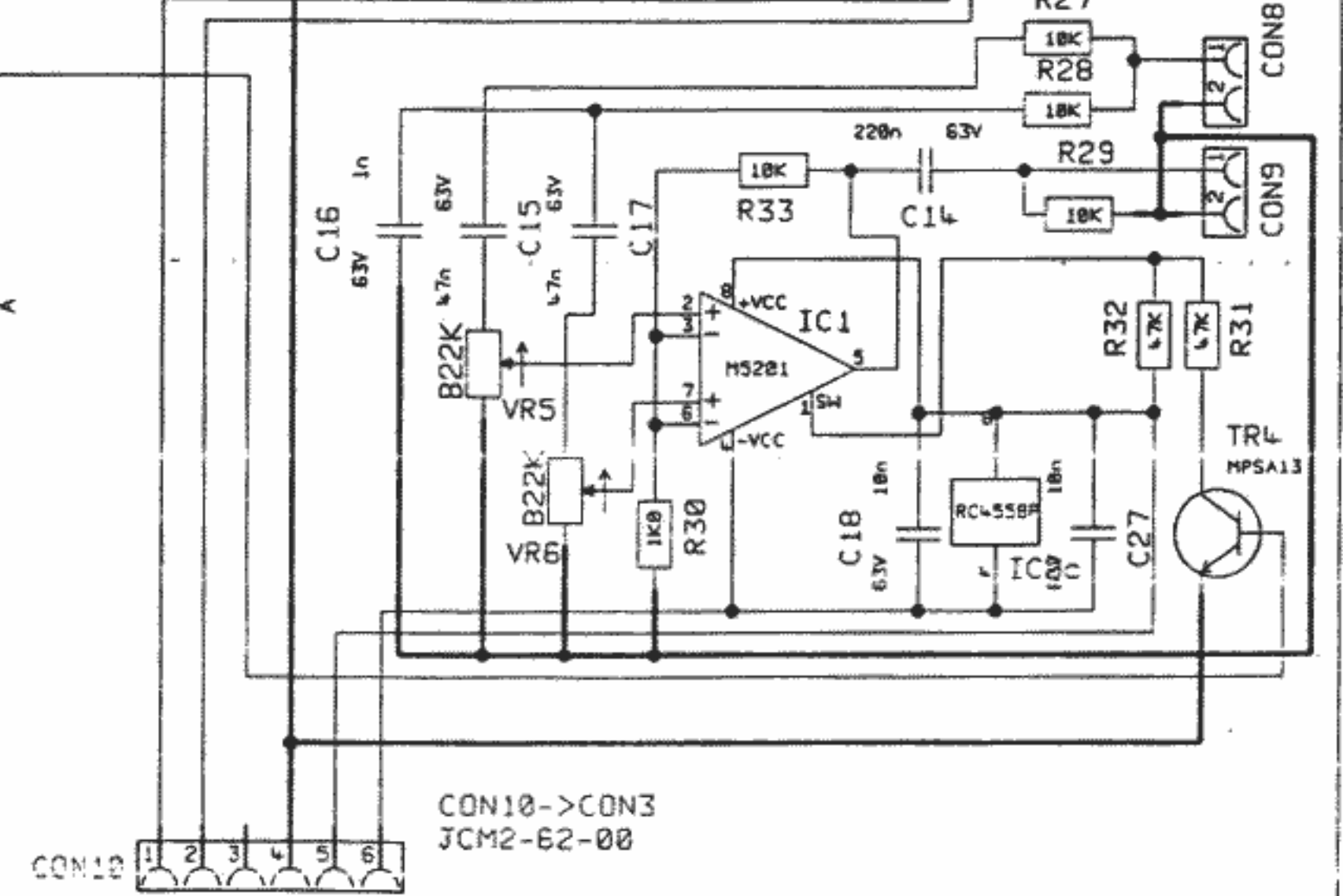
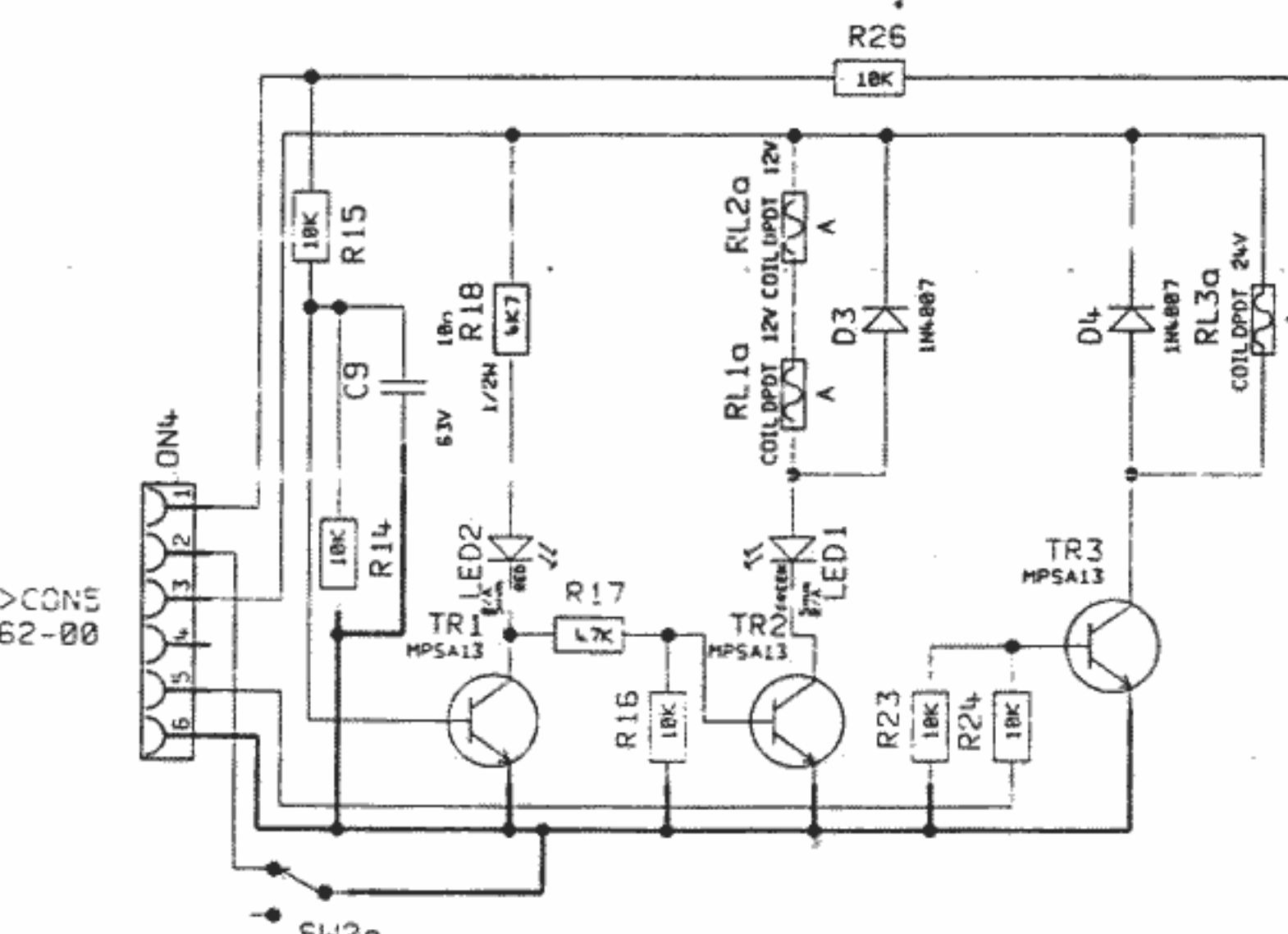
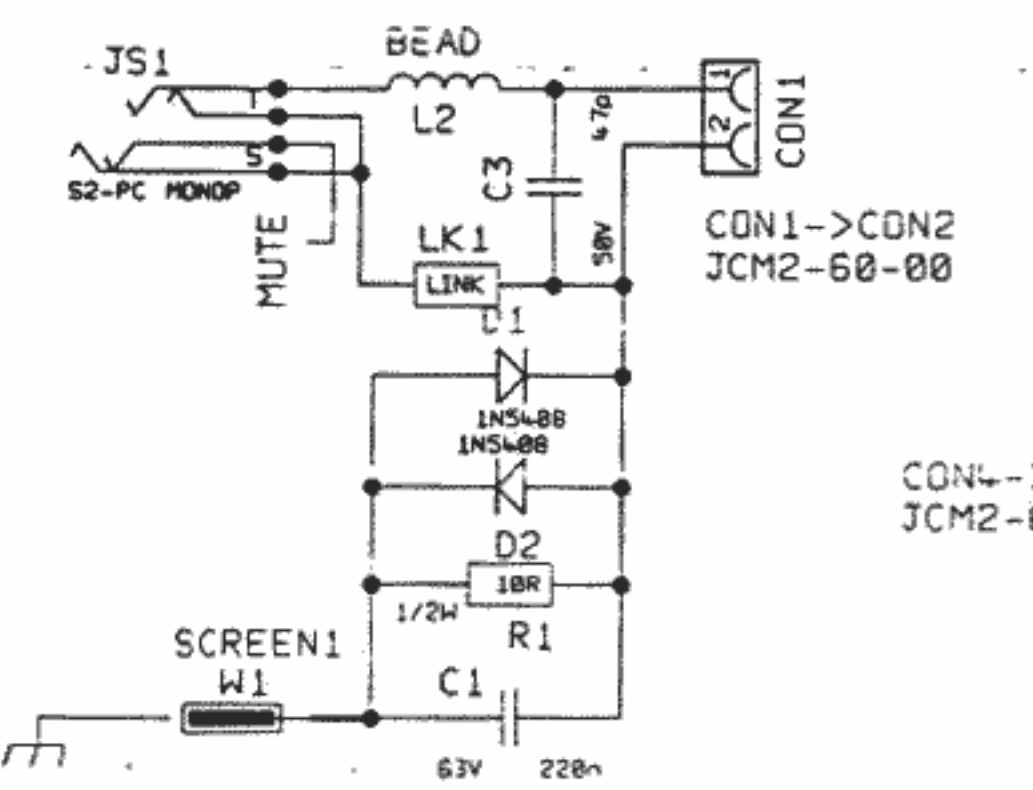
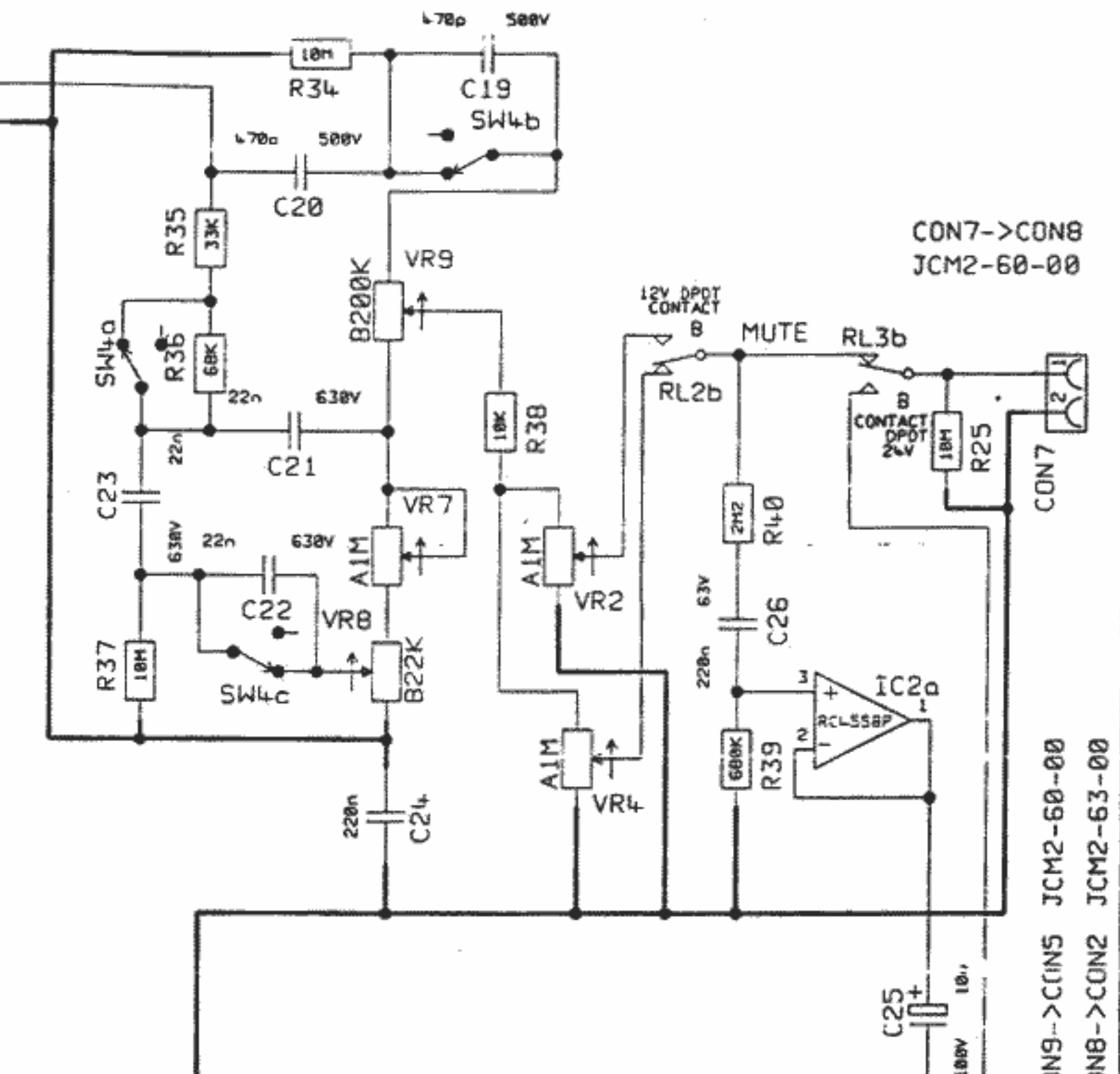
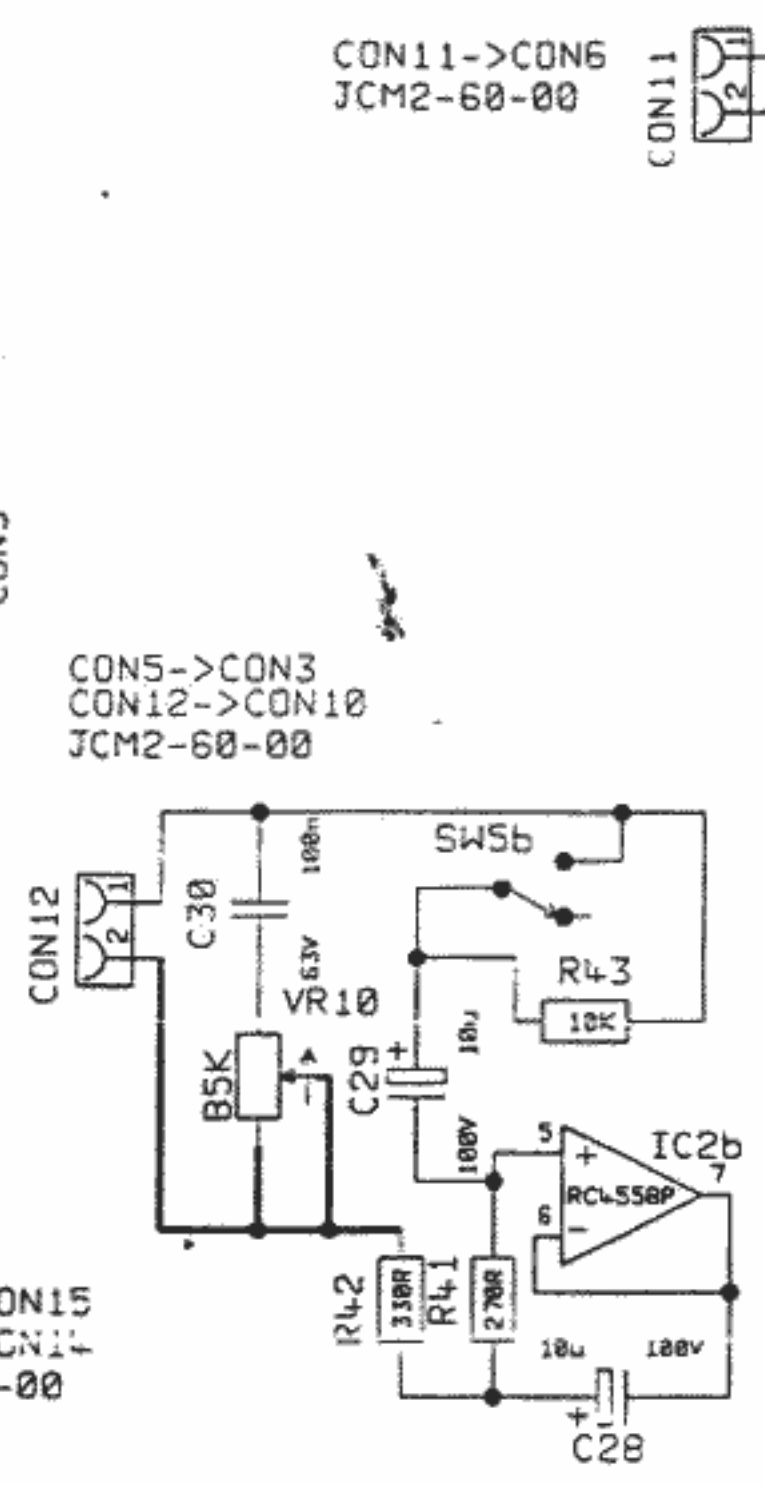
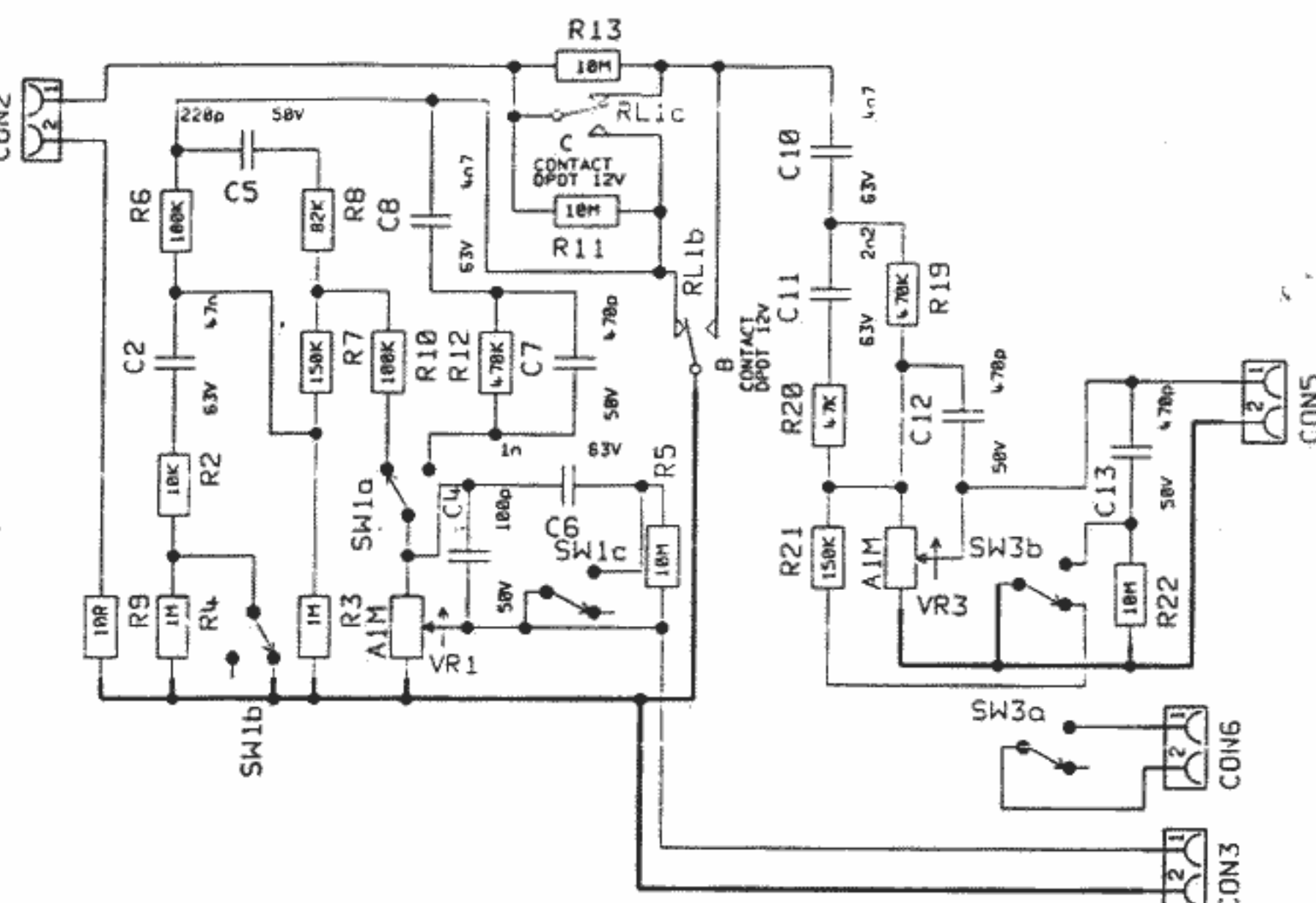


CON2->CON13
JCM2-60-00



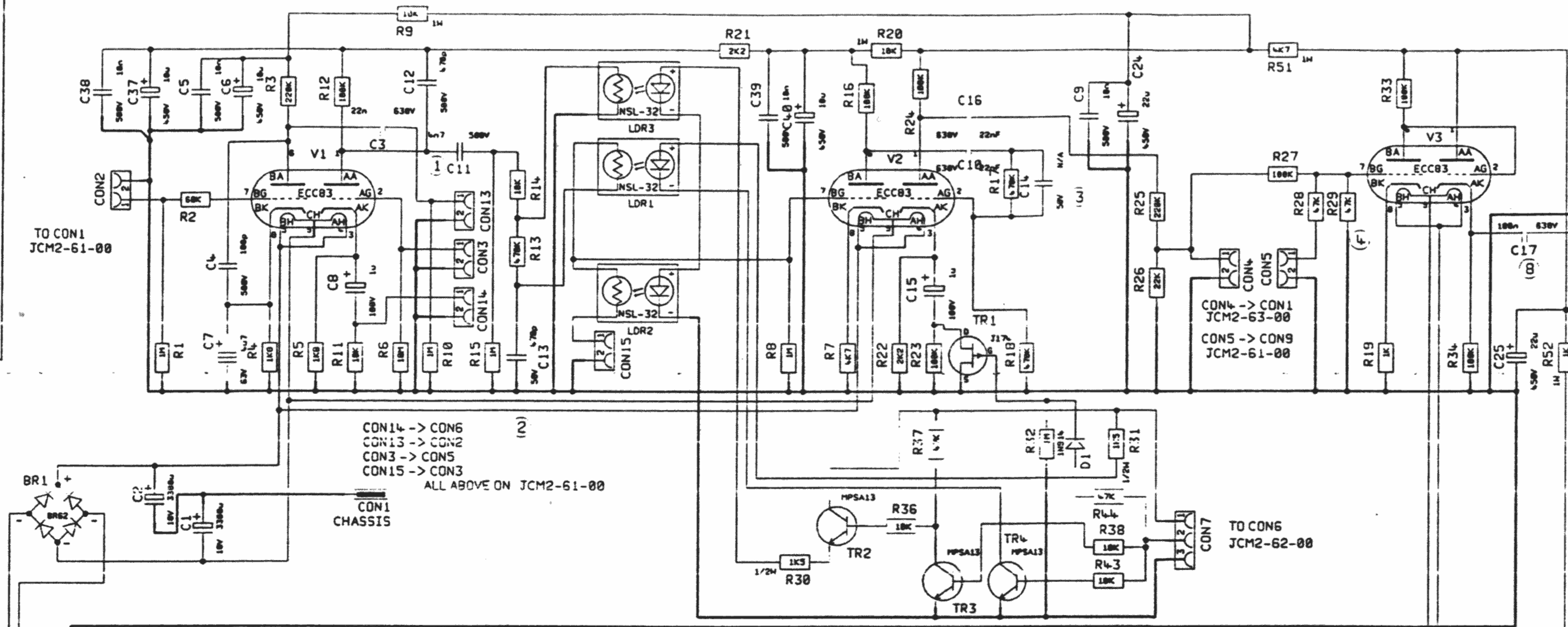
| | | |
|-----|----------------|---------|
| 1 | PRODUCTION | 30/4/97 |
| C | PRE-PRODUCTION | 4/3/97 |
| ISS | ECO NUMBER | DATE |

| | | | |
|-------------------|---|----------------------|---|
| ALL OTHER HOLES = | | X = (THROUGH PLATED) | |
| A | E | T | N |
| B | F | K | P |
| C | G | L | Q |
| D | H | M | R |

| | | | |
|--------------------|----|-------------------------------------|---------|
| MATERIAL | | DIMENSIONS IN | |
| MATERIAL THICKNESS | | TOLERANCE (UNLESS OTHERWISE STATED) | |
| DRAWN | SG | DATE | 24.2.97 |
| CHECKED | | DATE | |
| APPROVED | | DATE | 24-6-97 |
| | | MODEL | JCM2000 |



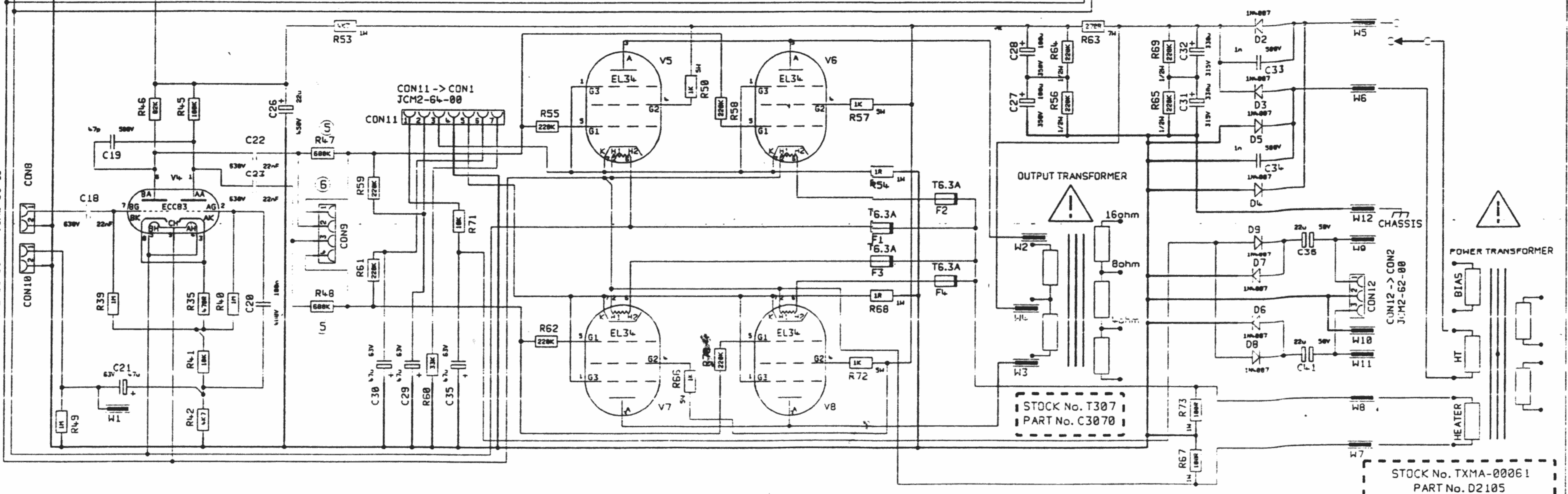
| | |
|--------|--------------------|
| TITLE | JCM2000 |
| | SUPERLEAD STANDARD |
| DWG.No | JCM2-61-00.DGM |
| ISS | 1 |



SAFETY CRITICAL COMPONENT
REPLACE ONLY WITH SAME
TYPE AND RATING.

- NOTES**
- (1) C11 = 4n7 500V ON STANDARD HEAD
C11 = 1nF 500V ON COMBO & DELUXE
 - (2) C13 = 4.70pF STANDARD --- = 100pF COMBO & DELUXE
 - (3) C14 NOT FITTED ON STANDARD HEAD,
COMBO OR DELUXE
 - (4) R29 = 4.7K STANDARD
R29 = 22K COMBO & DELUXE
 - (5) R47,48 = LINK STANDARD
R47,48 = 680K COMBO & DELUXE
 - (6) CON9 ONLY FITTED ON COMBO & DELUXE
 - (7) C17 = LINK STANDARD
C17 = 100nF 630V COMBO & DELUXE

STOCK No. S167
PART No. 1310B5NN



| ALL OTHER HOLES - | | | X = (THROUGH PLATED) | | | MATERIAL | | DIMENSIONS IN | |
|-------------------|----------------|---------|----------------------|---|---|----------|--------------------|-------------------------------------|---------|
| 1 | PRODUCTION | 30/4/97 | A | E | J | N | MATERIAL THICKNESS | TOLERANCE (UNLESS OTHERWISE STATED) | |
| C | PRE-PRODUCTION | 19/3/97 | B | F | K | P | DRAWN S.G. | DATE | 19/3/97 |
| ISS | ECO NUMBER | DATE | C | G | L | G | CHECKED | DATE | |
| | | | D | H | M | R | APPROVED | DATE | 23-6-97 |

Marshall

© MARSHALL AMPLIFICATION PLC
DENBIGH ROAD, BLETCHLEY, MILTON KEYNES, MK1 10Q.
TEL (01908) 375411 FAX (01908) 376118

TITLE **JCM2000
SUPERLEAD STANDARD**

DWG.No. **JCM2-60-00.DGM**

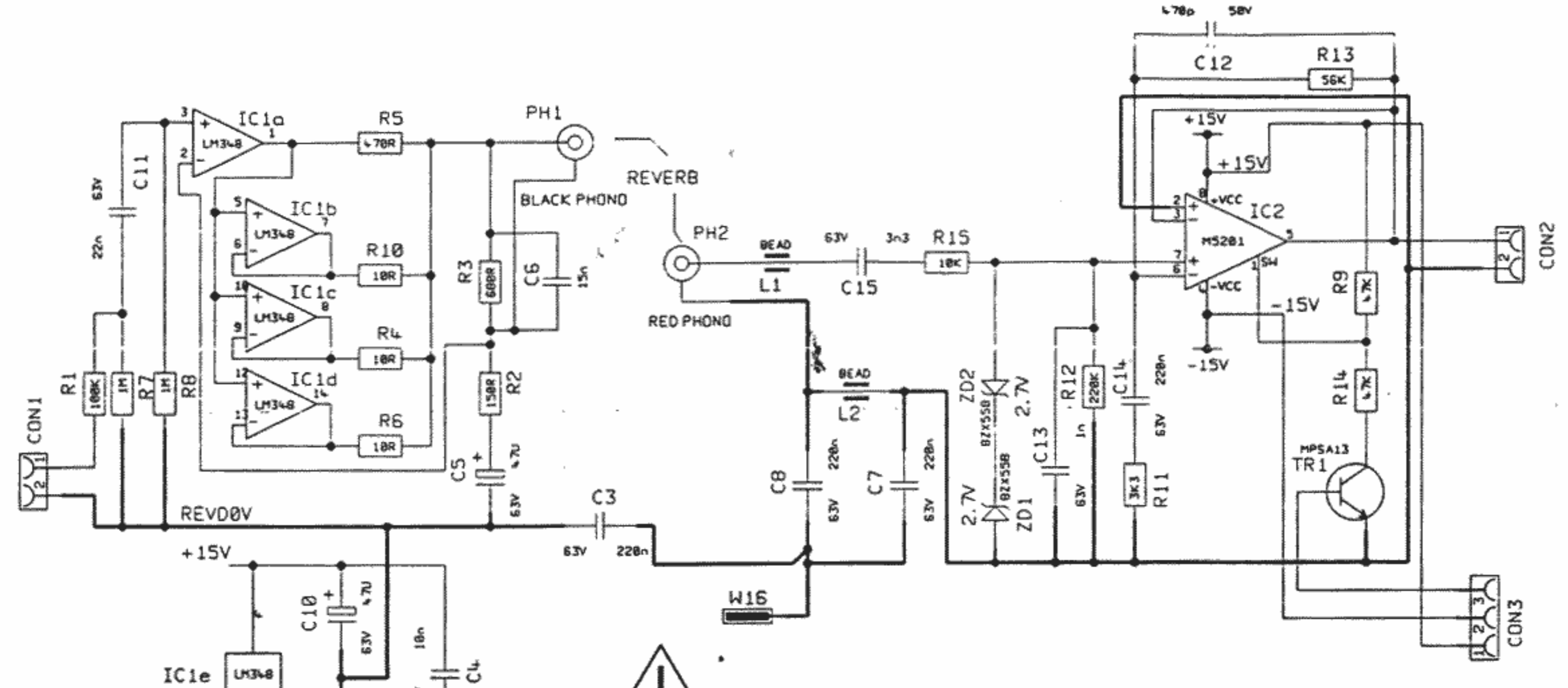
155

1

CON1->CON4
JCM2-60-00

CON2->CON8
JCM2-62-00

CON3->CON4
JCM2-61-00



115V UNITS
TYPE 19198
T1AMP

230V UNITS
TYPE 19195
T1AMP

STOCK No. TXMA-00066
PART No. D2179

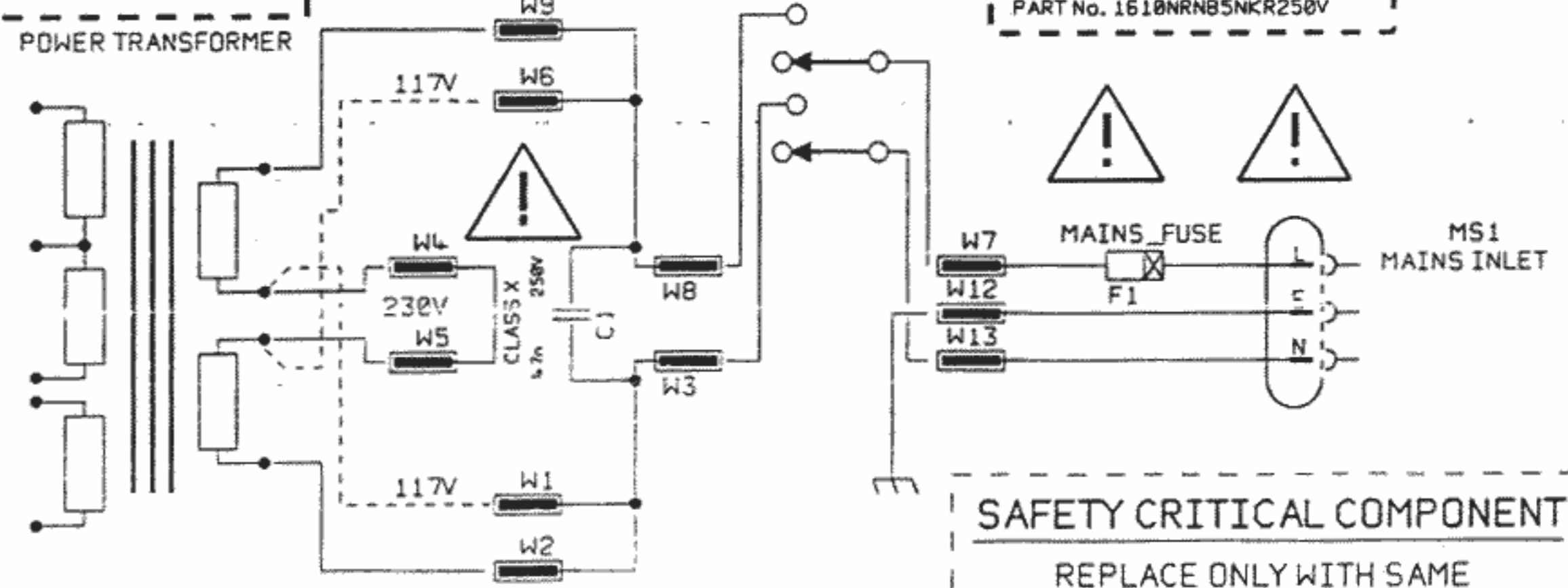
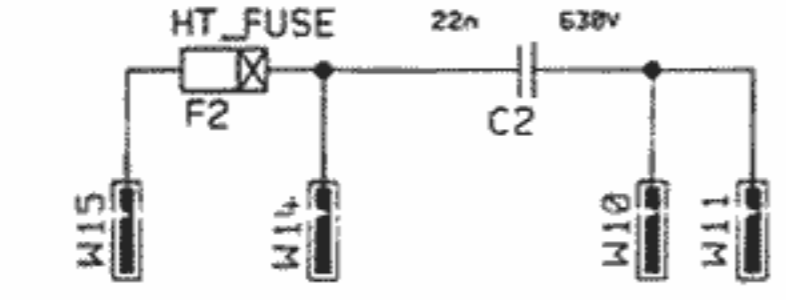
STOCK No. TXMA-00062
PART No. D2135

STOCK No. TXMA-00061
PART No. D2105

POWER TRANSFORMER

115V UNITS
F1=T1AMP TYPE 19343
MAINS SWITCH=STOCK No. S151
PART No. 1310NB5NKR125V

230V UNITS
F1=T2AMP TYPE 19195
MAINS SWITCH=STOCK No. S217
PART No. 1610NRNB5NKR250V



SAFETY CRITICAL COMPONENT
REPLACE ONLY WITH SAME
TYPE AND RATING.

| ISS | | ECO NUMBER | | DATE | | ALL OTHER HOLES = | | X = (THROUGH PLATED) | | MATERIAL | | DIMENSIONS IN | | TITLE | |
|-----|--|------------------|--|---------|--|-------------------|---|----------------------|---|------------------------|--|-------------------------------------|--|--|--|
| 1 | | PRODUCTION ISSUE | | 30/4/97 | | A | E | J | N | MATERIAL THICKNESS | | TOLERANCE (UNLESS OTHERWISE STATED) | | JCM2000 | |
| 1 | | PRODUCTION ISSUE | | 30/4/97 | | A | E | J | N | DRAWN 5G DATE 28-12-96 | | MODEL JCM2000 | | SUPER LEAD STANDARD REVERB/MAINS INPUT | |
| ISS | | ECO NUMBER | | DATE | | B | F | K | P | CHECKED DATE | | DATE 23-6-97 | | DWG.No JCM2-63-00.DGM | |
| A | | B | | C | | C | G | L | Q | APPROVED | | DATE 23-6-97 | | ISS 1 | |
| D | | H | | M | | D | H | M | R | | | | | MARSHALL AMPLIFICATION PLC DENBIGH ROAD, BLETCHEY, MILTON KEYNES, MK1 1DR. TEL (01908) 375411 FAX (01908) 376110 | |

