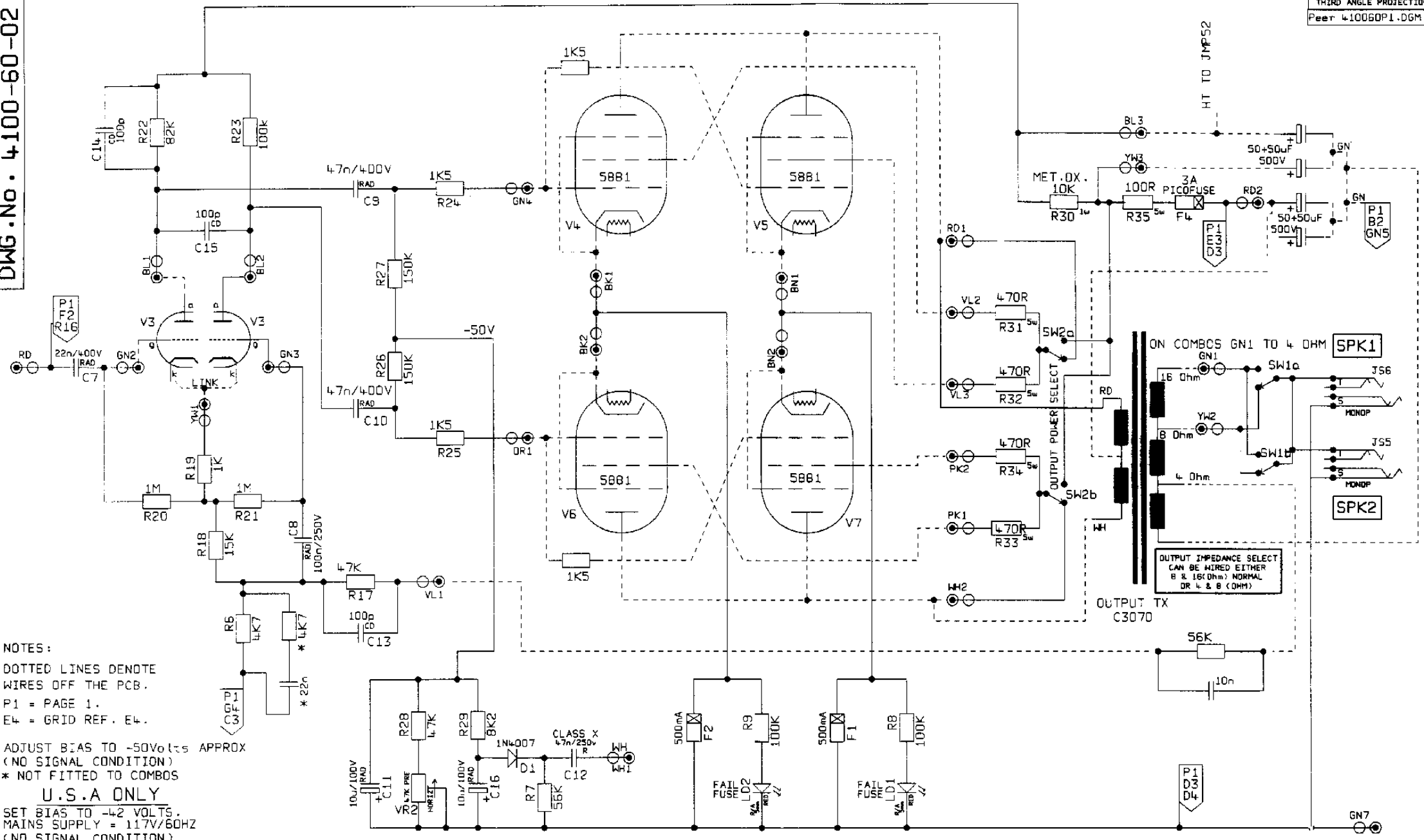


DWG.No. 4100-60-02



NOTES:
 DOTTED LINES DENOTE WIRES OFF THE PCB.
 P1 = PAGE 1.
 E4 = GRID REF. E4.
 ADJUST BIAS TO -50Volts APPROX (NO SIGNAL CONDITION)
 * NOT FITTED TO COMBS
U.S.A ONLY
 SET BIAS TO -42 VOLTS. MAINS SUPPLY = 117V/60HZ (NO SIGNAL CONDITION)

ISS	ECO NUMBER	DATE	A	B	C	D	E	F	G

UNSPECIFIED HOLE DATA		MATERIAL	DIMENSIONS IN
		MATERIAL THICKNESS	TOLERANCE (UNLESS OTHERWISE STATED)
		INTERNAL BEND RADIUS	DIMENSIONAL
		EXTERNAL G/A	CENTRES
		BEND DIE	ANGULAR
		DRAWN: KJRH DATE 27/7/93	MODEL:
		CHECKED: KSM DATE 3-10-94	
		APPROVED: DATE	

4100

Marshall

COPYRIGHT EXISTS ON THIS DOCUMENT IT MUST NOT BE USED FOR ANY PURPOSE THAN THAT FOR WHICH IT IS SUPPLIED AND MUST NOT BE REPRODUCED OR IN PART) WITHOUT WRITTEN PERMISSION FROM
 MARSHALL AMPLIFICATION PLC
 DENBIGH ROAD, BLETCHLEY, MILTON KEYNES, MK9 1DB.
 TEL: 0000137641 FAX: 00001376110

TITLE		ISSUE	
POWER AMP CCT			
2 OF 2			
DWG.No	4100-60-02	ISSUE	11