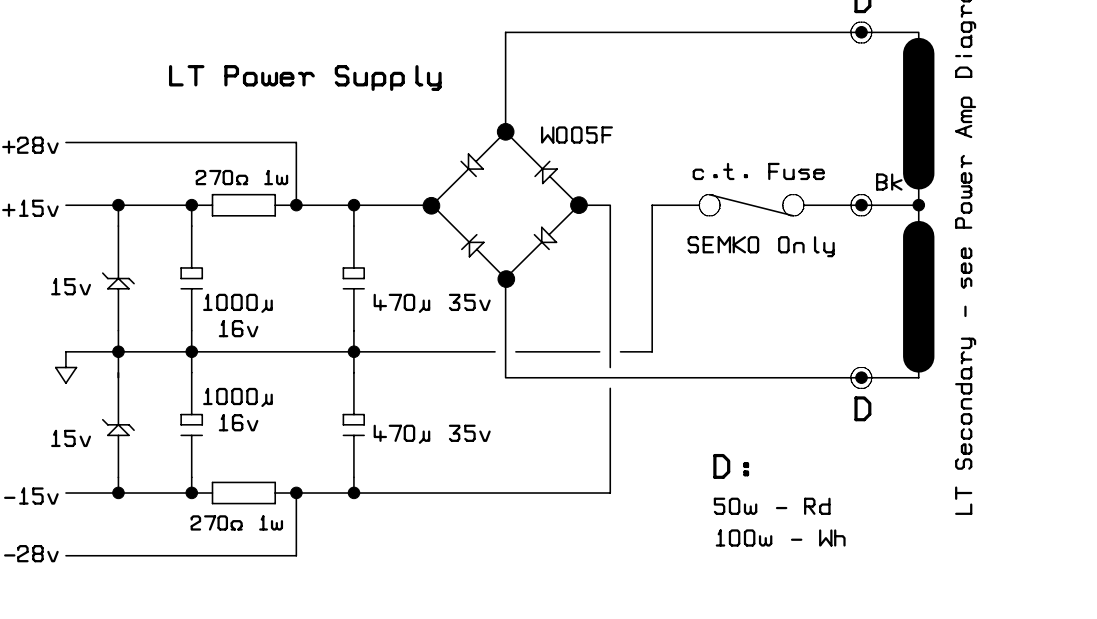
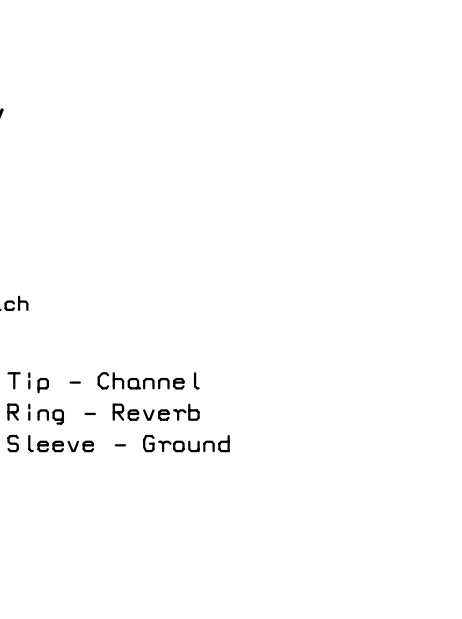
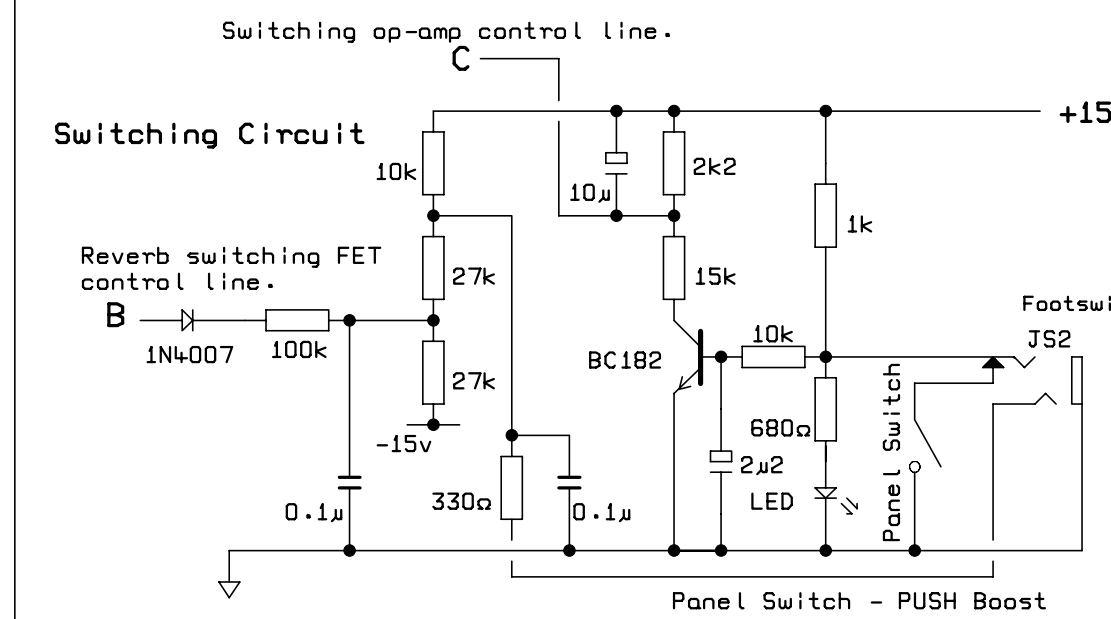
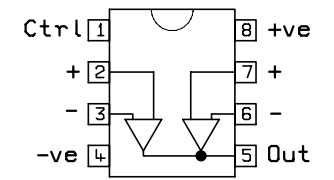


- NOTES:**
- All resistors 1/4w unless stated.
 - PCB: JMP52A
 - Power amp diagrams:
CDO112 50w
CDO192 100w
 - All non-elect. caps are 50v axial unless marked:
D: Ceramic disk } High voltage
R: MKT Radial }
 - All zeners 500mW.
 - All unmarked diodes are 1N4007.
 - IC supplies:
All ICs but TL071, pin 8: +15v
TL071, pin 7: +15v
All ICs, pin 4: -15v
 - M5201 switching IC pins:



Single Send to PA 'TS2'

2	2-2-90	CPV
1	6-12-89	CPV
Iss.	Date	Drn.

Dwg. Number: CDO189

JCM900 Series
DUAL REVERB Preamp
Circuit Diagram
ALL COUNTRIES

Marshall

Jim Marshall
(Products) Ltd.
BLETCHLEY
MILTON KEYNES
ENGLAND

File: 900DRPRE.DGM