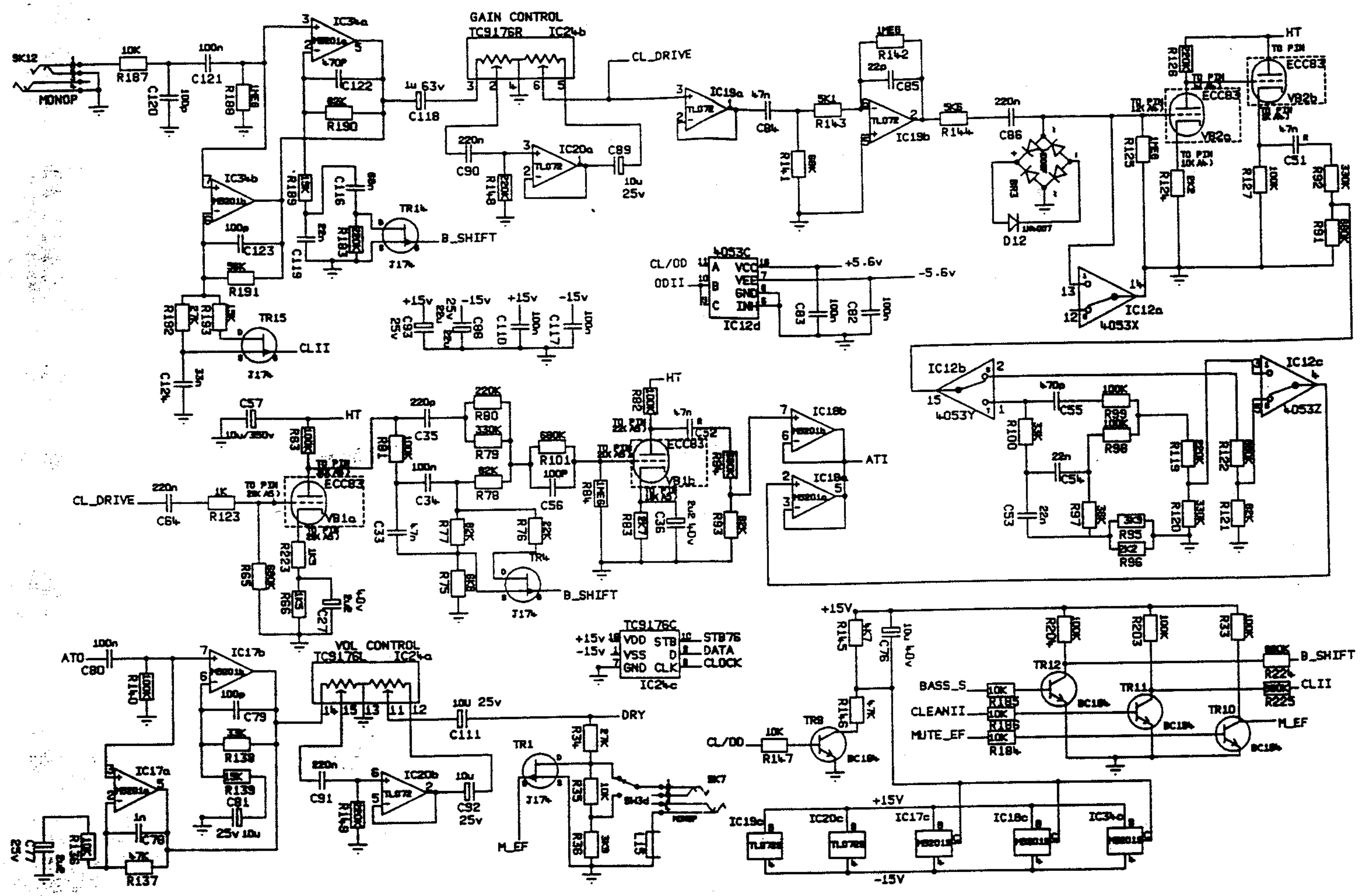


DWG. No. JMP1-61-04



DAUGHTER BOARD CONNECTOR DETAIL TO JMP1-61-00	
YC1	TO R127/C51 (G2)
	TO R128
	TO R128 (G4)
	TO GND
	TO R128 (G4)
	TO R125/R126 (G4)
	TO IC7 TO P2 E4
	TO R83 (D3)
	TO R84 (D3)
	TO R101 (D3)
	TO GND
	TO R223 (C4)
	TO R85/R123 (C3)
	TO C25/R83 (C3)

ATO TO P3 B1
 DRY TO P4 C3
 CL/DO TO P1 E3
 HT TO P1 C3
 ATI TO P1 E3
 BASS_S
 CLEAN_II } TO P5 E3
 MUTE_EF

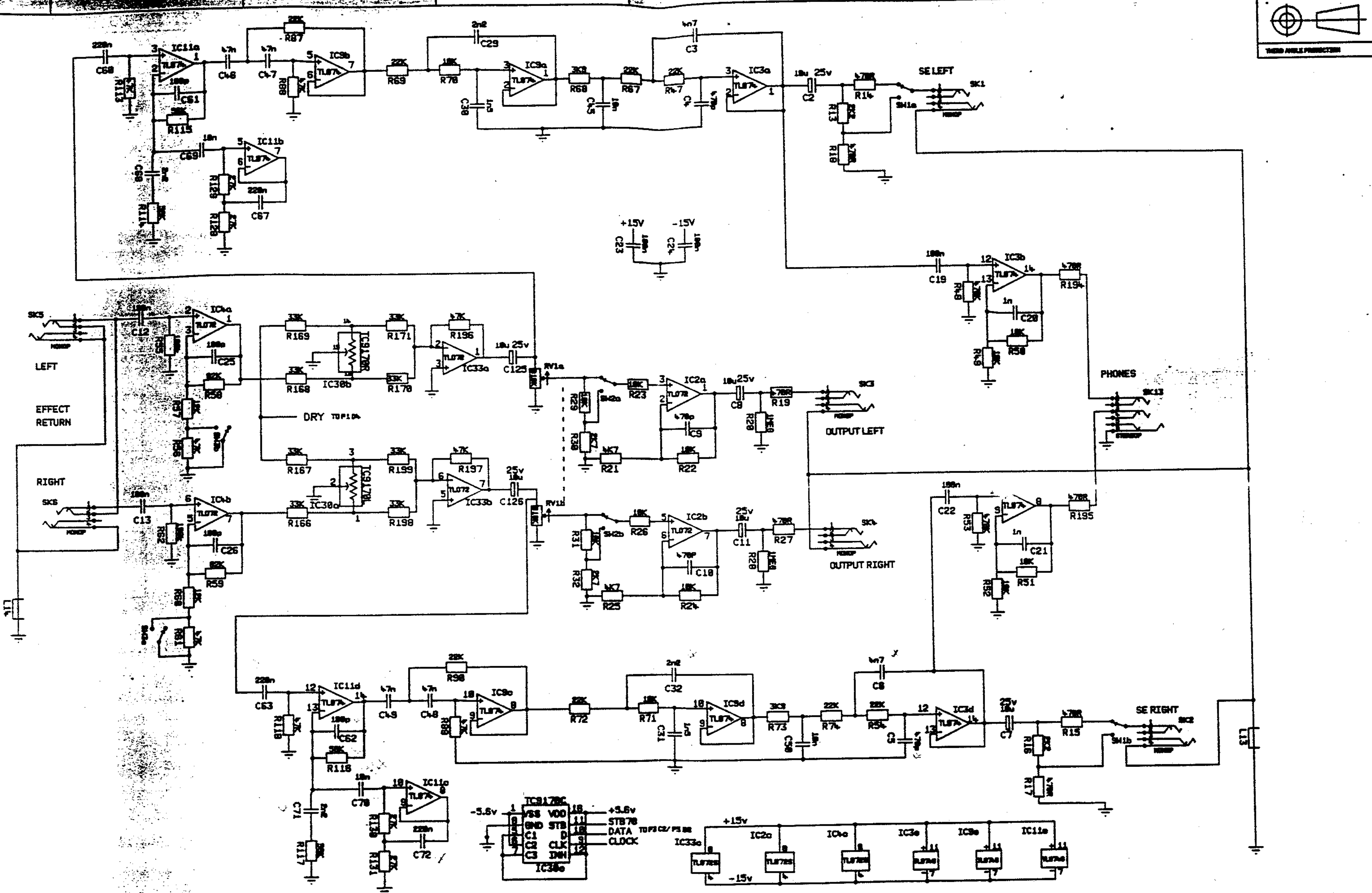
UNSPECIFIED HOLE DATA		REVISION	
A	H	REVISED BY	DATE
B	J	APPROVED BY	DATE
C	K	DESIGNED BY	DATE
D	L	CHECKED BY	DATE
E	M	DATE	DATE
F	N	DATE	DATE
G	P	DATE	DATE

Marshall

COPYRIGHT EXISTS ON THIS DOCUMENT. IT MUST NOT BE USED FOR ANY PURPOSE OTHER THAN THAT FOR WHICH IT IS SUPPLIED AND MUST NOT BE COPIED (IN WHOLE OR IN PART) WITHOUT WRITTEN PERMISSION FROM
 © JIM MARSHALL (PRODUCTS) LTD.
 DENBIGH ROAD, BLITCHLEY, MILTON KEYNES, MK1 3DB.
 TEL: (0908 378111 FAX: (0908 378110)

TITLE	
CHANNEL CCT	
1 OF 6	A2
DWG. No	ISSUE
JMP1-61-04	1

DWG.No. JMP1-61-04



UNSPECIFIED HOLE DATA			
1A	H		
1B	J		
1C	K		
1D	L		
1E	M		
1F	N		
1G	P		

ISS	ECO NUMBER	DATE	BY	CHKD	APPV

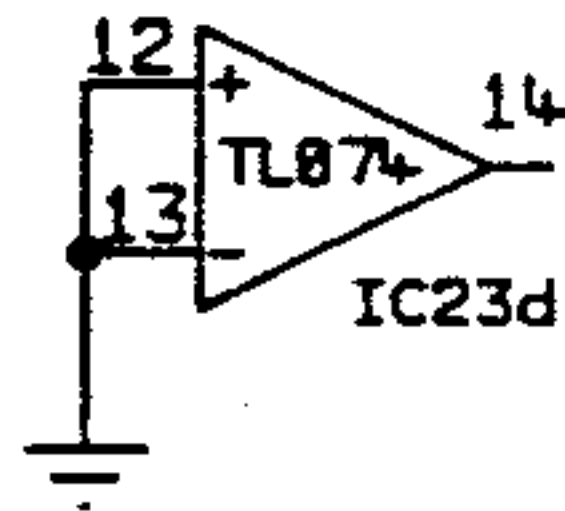
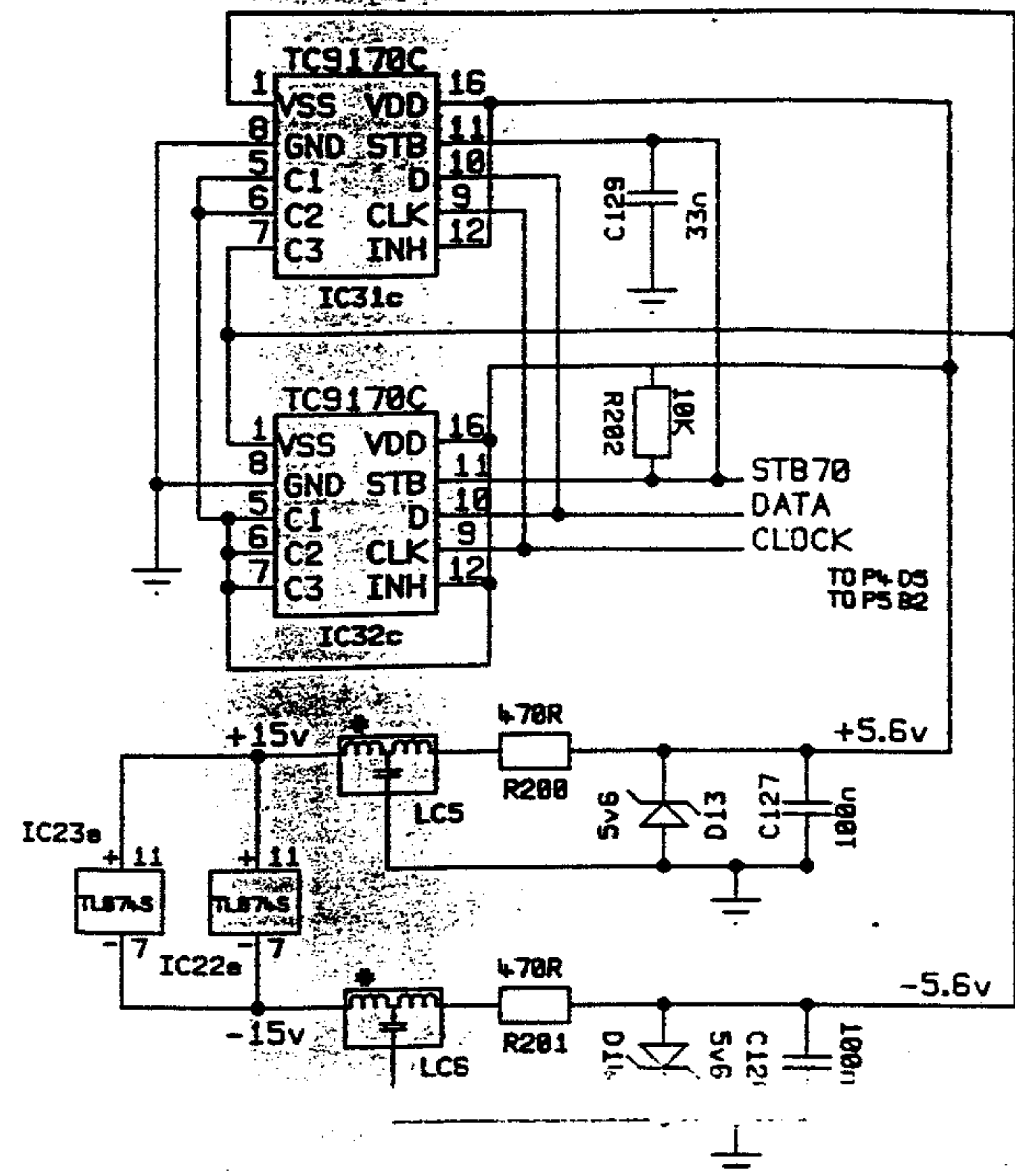
REVISIONS	DESCRIPTION

DESIGNED BY	DATE
CHECKED	DATE
APPROVED	DATE

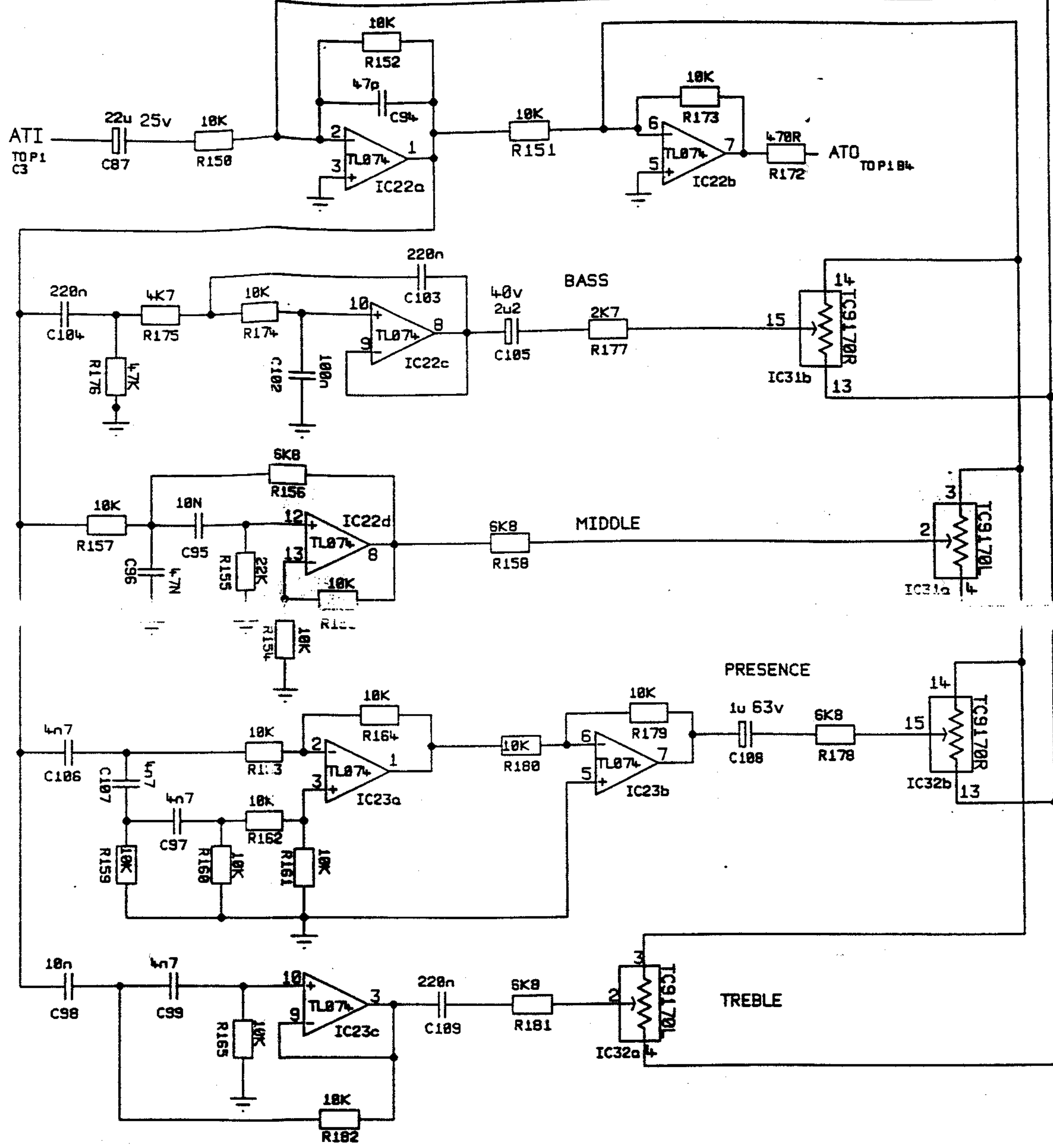
Marshall

COPYRIGHT EXCEPT ON THIS DOCUMENT, IT MUST NOT BE USED FOR ANY PURPOSE OTHER THAN THAT FOR WHICH IT IS SUPPLIED AND MUST NOT BE COPIED OR WHOLE OR IN PART REPRODUCED WITHOUT PERMISSION FROM
 © 1992 MARSHALL PRODUCTS LTD.
 DENHAM ROAD, BLETCHLEY, MILTON KEYNES, MK1 1DB.
 TEL: 0908701-11 FAX: 0908701118

TITLE	OUTPUT CCT
4 OF 6	A2
DWG.No	JMP1-61-04
ISSUE	1



TO P4 D5 - PAGE 4, GRID REFERENCE D 5



UNSPECIFIED HOLE DATA				MATERIAL		DIMENSIONS IN		TITLE	
A	H			MATERIAL THICKNESS	TOLERANCE UNLESS OTHERWISE STATED		ACTIVE TONE CCT		
B	J			INTERNAL BEND RADIUS	DIMENSIONAL		3 OF 6		
C	K			EXTERNAL B/A	CENTRES		A3		
D	L			BEND BOX	ANGULAR		DWG. No		
E	M			DRAWN T.F.	DATE 07/04/92	MODEL		ISSUE	
F	N			CHECKED DYS	DATE	JMP1		JMP1-61-04	
G	P			APPROVED 2.5.3	DATE 20-5-92			1	

Marshall

COPYRIGHT EXCEPT BY THIS DOCUMENT, IT MUST NOT BE USED FOR ANY PURPOSE OTHER THAN THAT FOR WHICH IT IS SUPPLIED AND MUST NOT BE COPIED OR REPRODUCED OR IN PARTY WITHOUT THE WRITTEN PERMISSION FROM MARSHALL ELECTRONICS LTD.

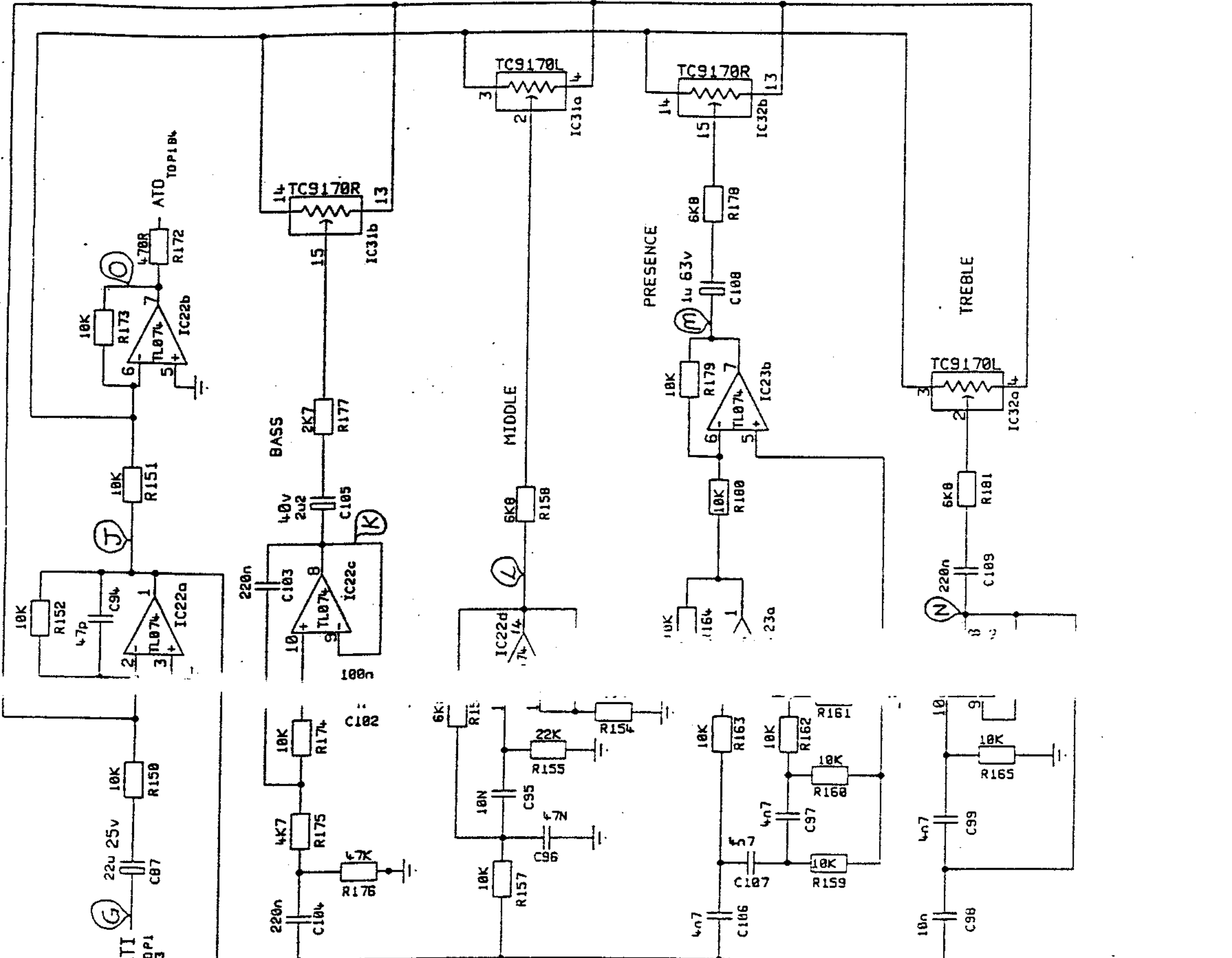
MARSHALL ELECTRONICS LTD.
 100, GERRARD ST. E., TORONTO, ONT. M5C 1S6, CANADA
 TEL: (416) 491-1111 FAX: (416) 491-1112

CCT	PCB	SL	MD	S/N	ECO/N	DATE	CCT	PCB	SL	MD	S/N	ECO/N	DRN	CCT	PCB	SL	MD	S/N	ECO/N
1/2	2	3	/	2022/16		7/14/92	20/1/92	20/1/92	6/10/92	9/10/92			T.F.	M.S.	T.F.	P.W.	O.H.		

COPYRIGHT EXISTS ON THIS DOCUMENT. IT MUST NOT BE USED FOR ANY PURPOSE OTHER THAN THAT FOR WHICH IT IS SUPPLIED AND MUST NOT BE COPIED OR DISCLOSED (ON WHOLE OR PART) WITHOUT WRITTEN PERMISSION FROM JIM MARSHALL (PRODUCTS) LIMITED, DENBIGH ROAD, BLETCHLEY, MILTON KEYNES, MK1 1DQ. TEL (0908) 375411 FAX (0908) 375411

Marshall

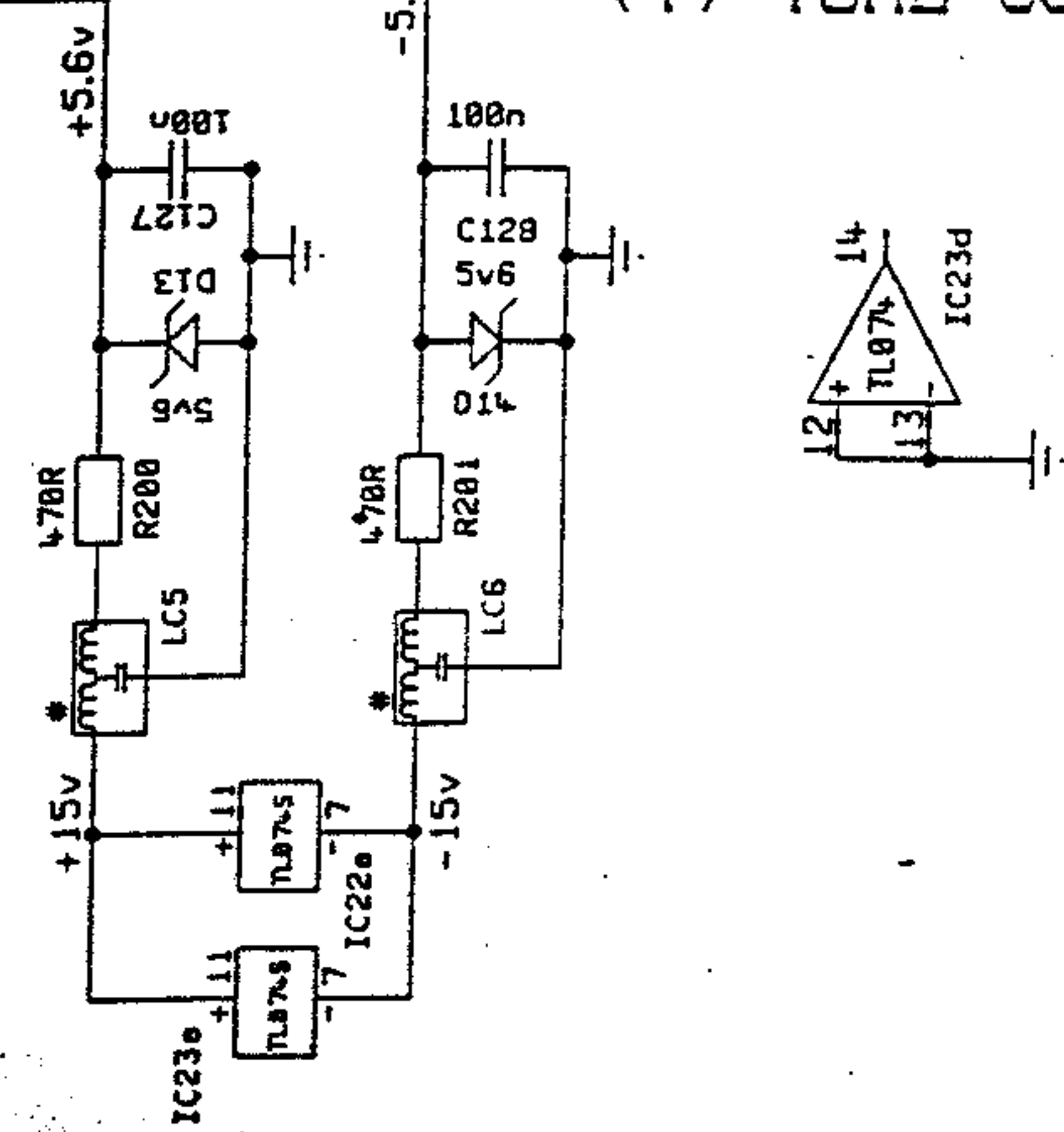
SERVICE DATA
JMP 1



KEY WAVEFORMS

DESCRIPTION	TEST POINT	CLEAN-1 CHANNEL WAVE FM./VOLT	CLEAN-2 CHANNEL WAVE FM./VOLT	OD-1 CHANNEL WAVE FM./VOLT	OD-2 CHANNEL WAVE FM./VOLT
I/P IC19a	A	1Vpp	2Vpp	1.8Vpp	1.8Vpp
PIN 3					
O/P IC19b	B	30Vpp	30Vpp	30Vpp	30Vpp
PIN 7					
I/P VB2a	C	200mVpp	200mVpp	4Vpp	4Vpp
C86/R125					
O/P VB2a	D	5.5Vpp	5.5Vpp	100Vpp	100Vpp
R126					
O/P VB2b	E	5Vpp	5Vpp	100Vpp	100Vpp
C51/R92					
O/P IC12c	F			1.5Vpp	1.4Vpp
PIN 4					
O/P IC18	G	5.4Vpp	3Vpp	2.5Vpp	1.5Vpp
PIN 5					
O/P VB1a	H	16Vpp	32Vpp	28Vpp	28Vpp
R63/R81					
O/P IC22a	J	4.5Vpp	7.2Vpp	1.9Vpp	1.4Vpp
PIN 1					
O/P IC22c	K	1.3Vpp	1.9Vpp	1.4Vpp	200mVpp
PIN 8					
O/P IC22d	L	2.1Vpp	5Vpp	930mVpp	1.2Vpp
PIN 14					
O/P IC22b	M	1.3Vpp	2.4Vpp	1.5Vpp	1.2Vpp
PIN 7					

(1) TONE CCT & WAVEFORMS.



PIN 9					
O/P IC22b	O	5Vpp	8Vpp	2.4Vpp	1.5Vpp
PIN 7					
O/P VOL	P	15Vpp	25Vpp	7.5Vpp	8Vpp
C111/R34					
O/P IC33a/b	Q	2.2Vpp	1.4Vpp	3.5Vpp	3.4Vpp
PIN 1/7					
O/P IC2a/b +4dB	R	30Vpp	30Vpp	14Vpp	14Vpp
PIN 1/7 -10dB	S	3.2Vpp	10Vpp	2.9Vpp	3Vpp
O/P IC4a/b +4dB		15Vpp			
PIN 1/7 -10dB		5Vpp			
O/P IC11a/d	T	14Vpp	23Vpp	9.5Vpp	8.4Vpp
PIN 1/14					

