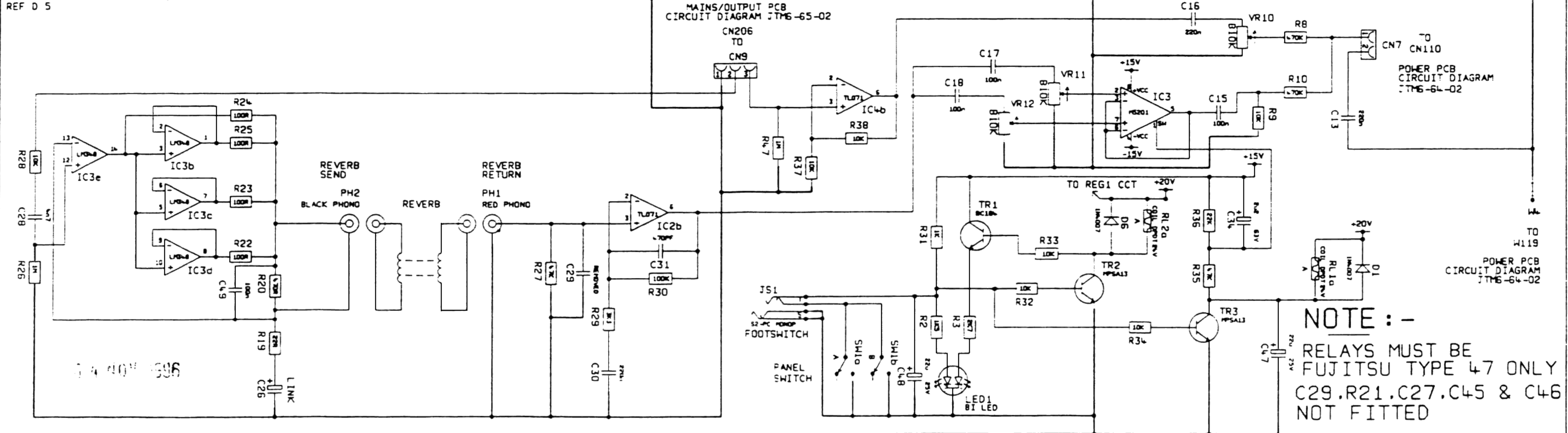
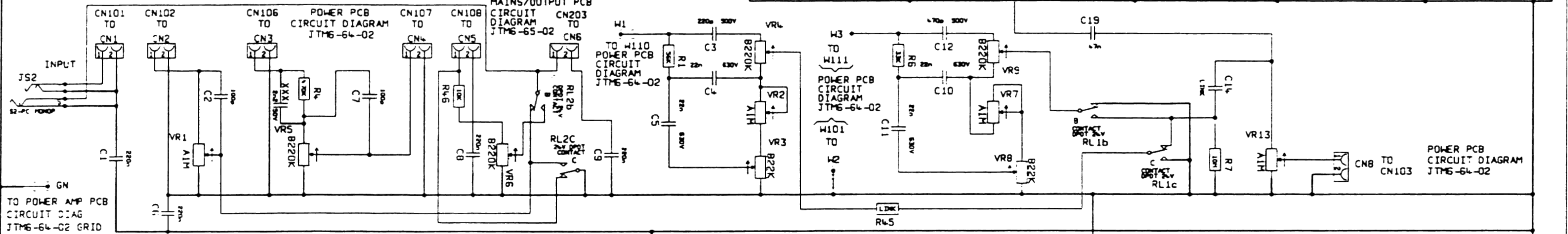
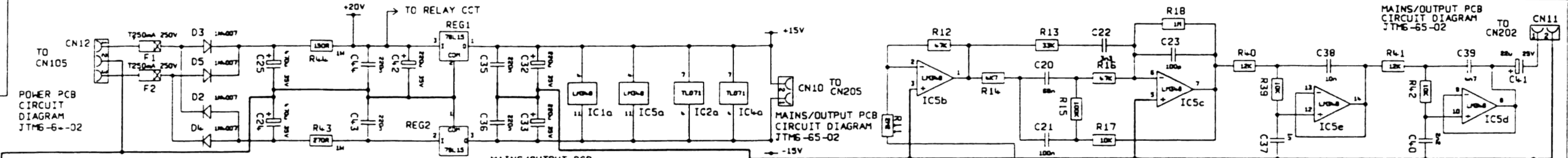
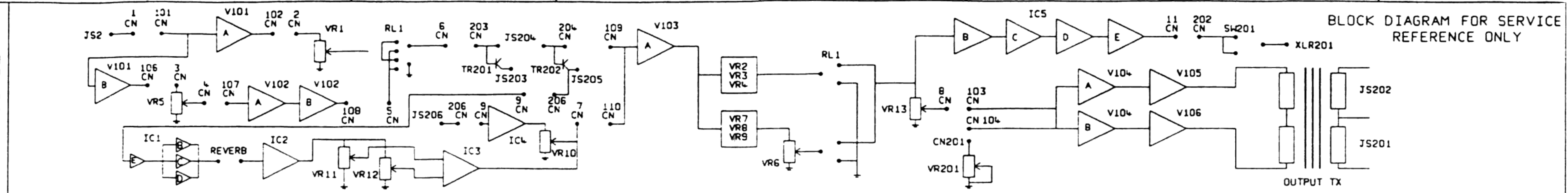


J600-60-02

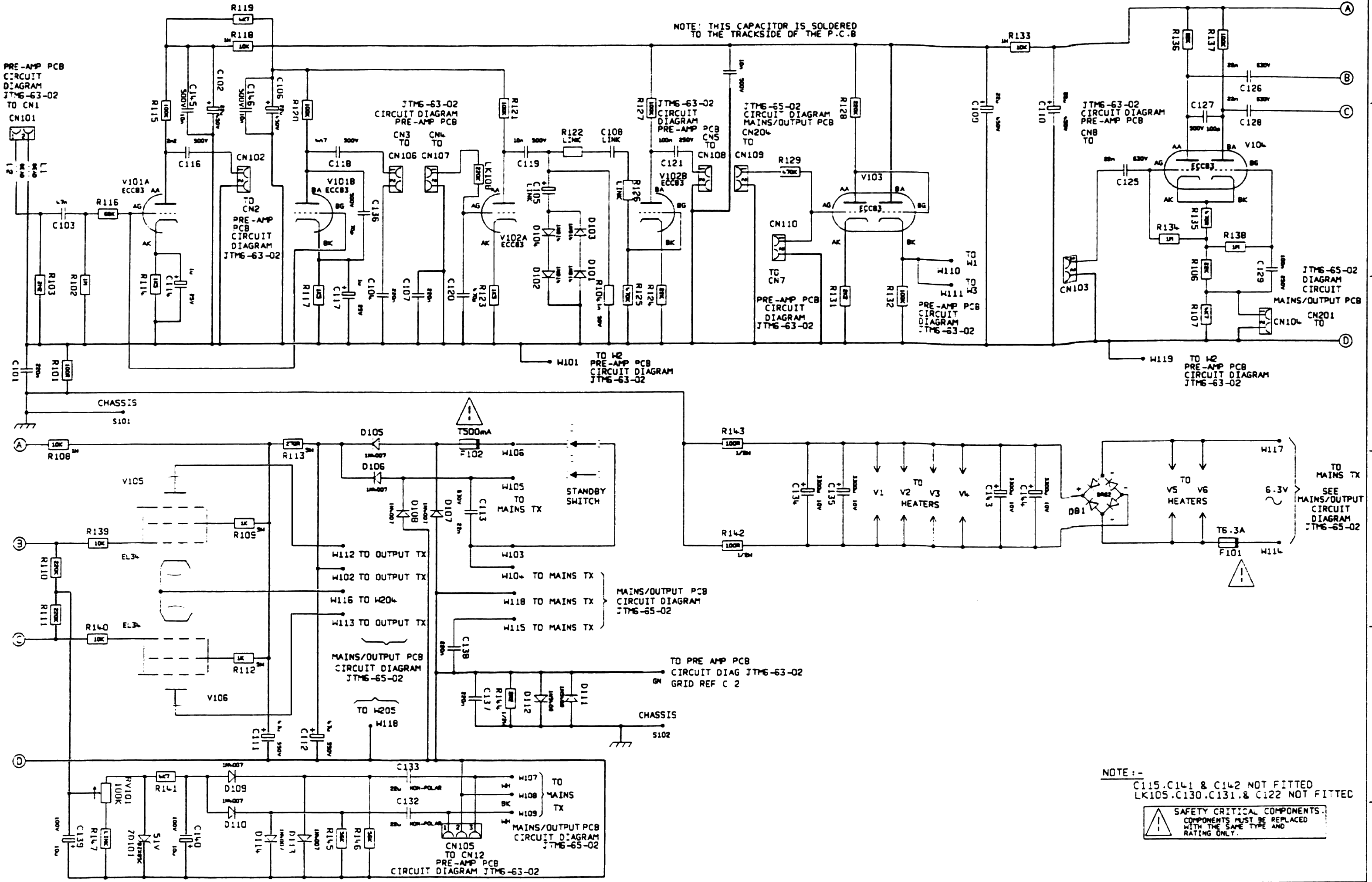
DWG. No.

BLOCK DIAGRAM FOR SERVICE REFERENCE ONLY



**NOTE :-**  
RELAYS MUST BE FUJITSU TYPE 47 ONLY  
C29, R21, C27, C45 & C46 NOT FITTED

ALL OTHER HOLES -		X - (THROUGH PLATED)		MATERIAL	DIMENSIONS IN		TITLE
A	E	J	N	MATERIAL THICKNESS	TOLERANCE (UNLESS OTHERWISE STATED)		PRE-AMP PCB CIRCUIT DIAGRAM
B	F	K	P	DRAWN RSB	DATE 24/05/95	JTM600 © JIM MARSHALL (PRODUCTS) LTD. DENBIGH ROAD, BLETCHLEY, MILTON KEYNES, MK1 10Q. TEL (0908)375411 FAX (0908)376118	DWG. No
1	1315	22/10/96	C	CHECKED <i>[Signature]</i>	DATE 4-11-96		J600-60-02
ISS	ECO NUMBER	DATE	D	APPROVED <i>[Signature]</i>	DATE 4-11-96		ISS 1



NOTE:-  
C115, C141 & C142 NOT FITTED  
LK105, C130, C131 & C122 NOT FITTED

SAFETY CRITICAL COMPONENTS:  
COMPONENTS MUST BE REPLACED  
WITH THE SAME TYPE AND  
RATING ONLY.

ALL OTHER HOLES		X = (THROUGH PLATED)	
NO.	SIZE	NO.	SIZE
1	1315	22/10/96	
ISS	ECO NUMBER	DATE	

MATERIAL		DIMENSIONS IN	
MATERIAL THICKNESS		TOLERANCE (UNLESS OTHERWISE STATED)	
DRAWN	RSB	DATE	04/05/95
CHECKED	RSB/SM	DATE	4.11.96
APPROVED	JG	DATE	4.4.96

*Marshall*

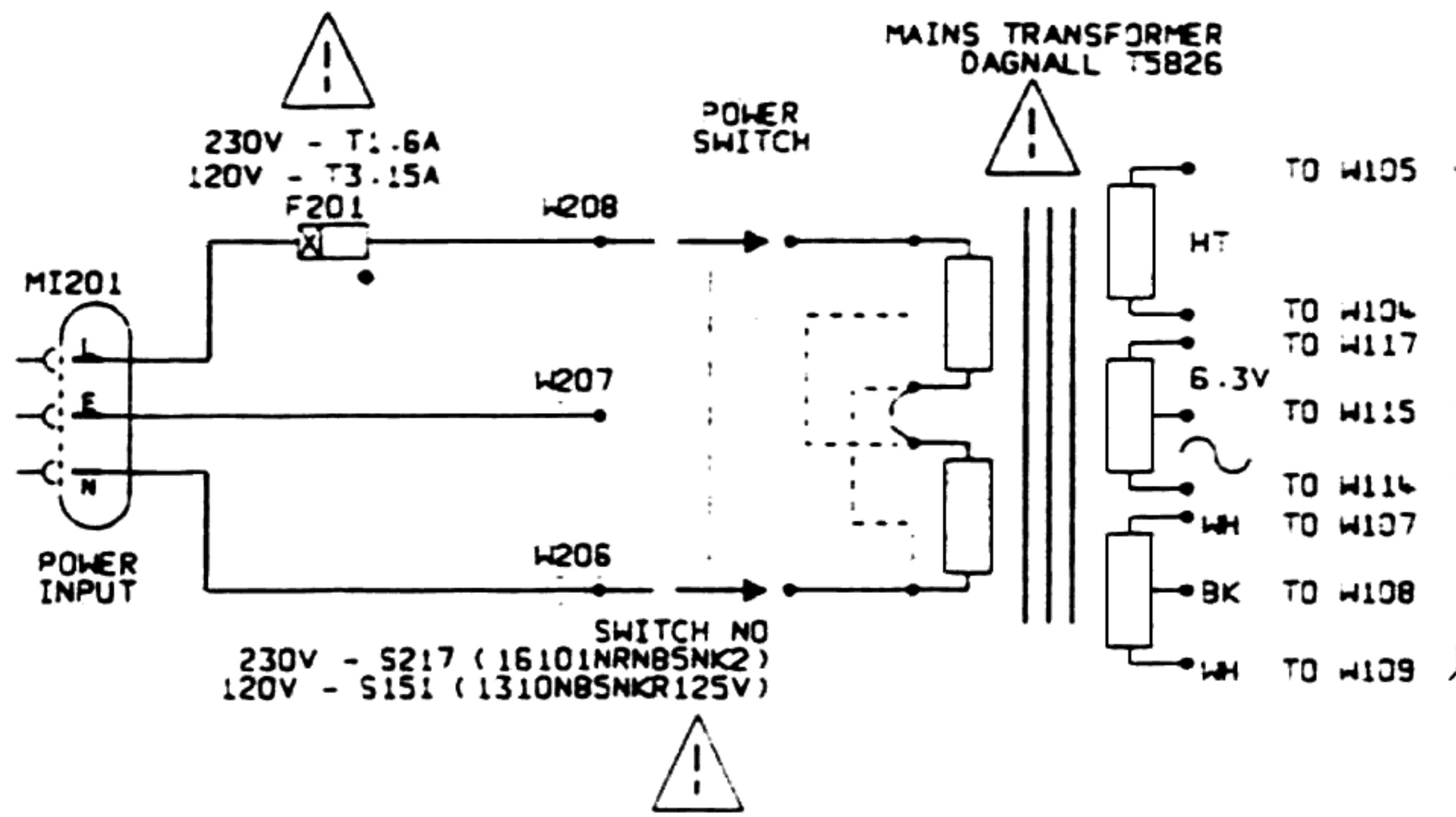
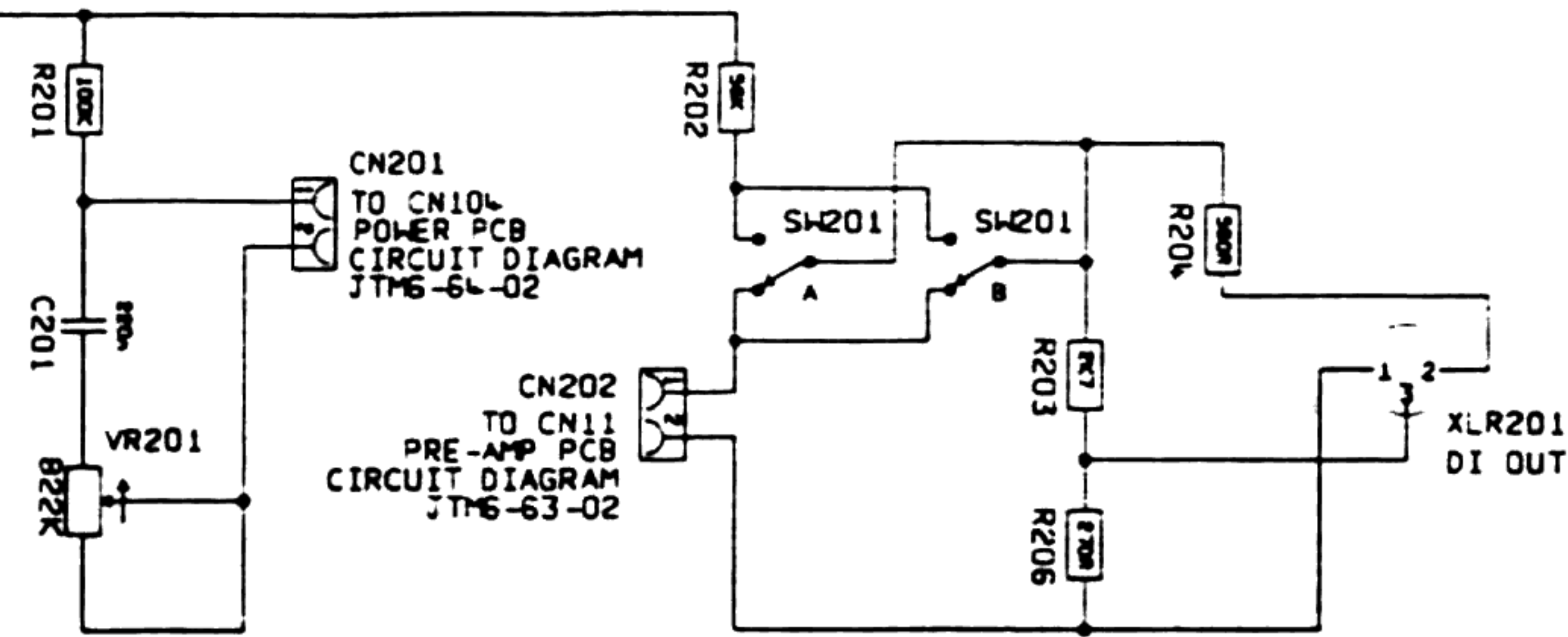
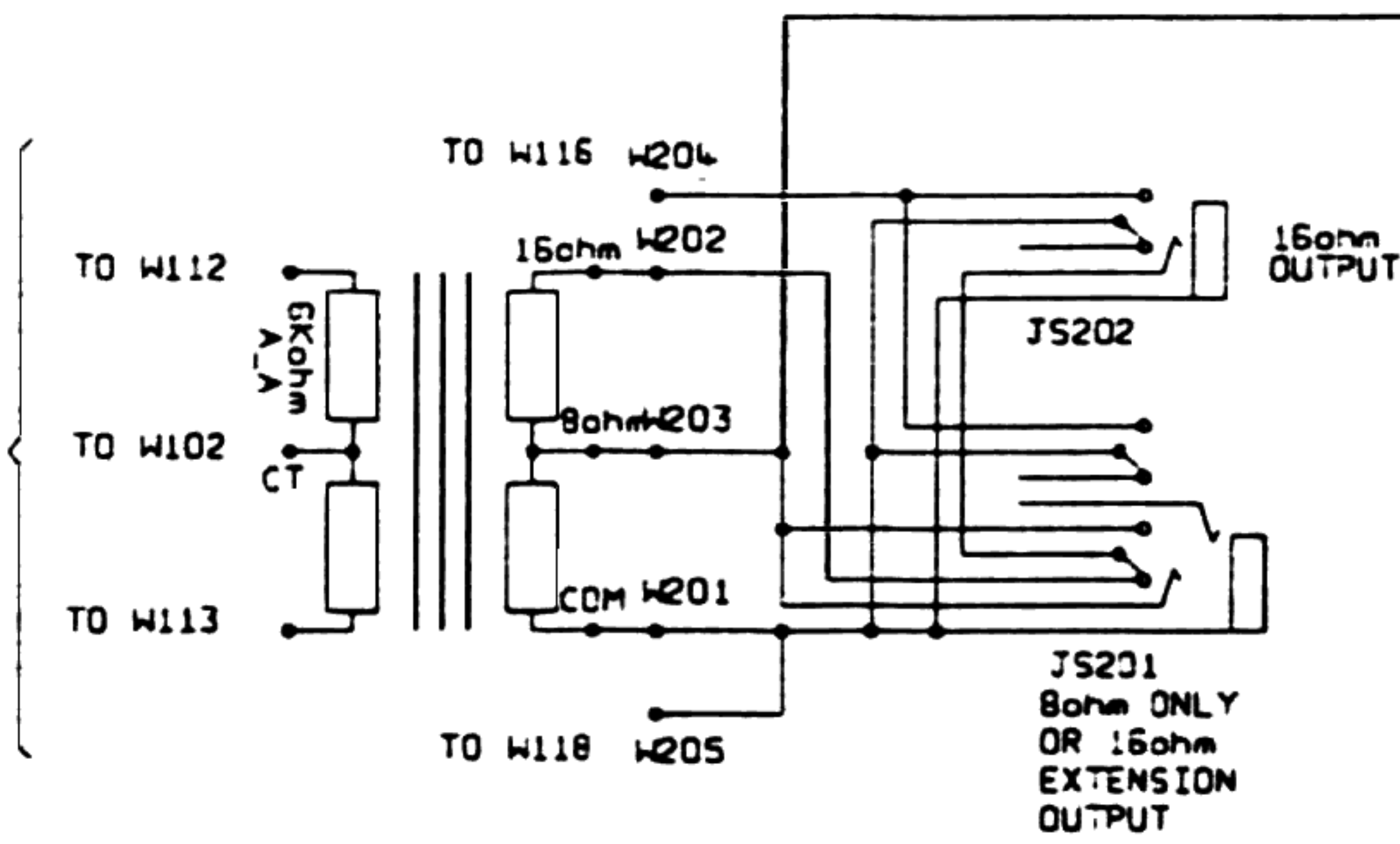
JTM600

JIM MARSHALL (PRODUCTS) LTD.  
DENBIGH ROAD, BLETCHLEY, MILTON KEYNES, MK1 108.  
TEL (0508) 375411 FAX (0508) 376118

TITLE	POWER PCB CIRCUIT DIAGRAM
DWG. No	J600-61-02
ISS	1

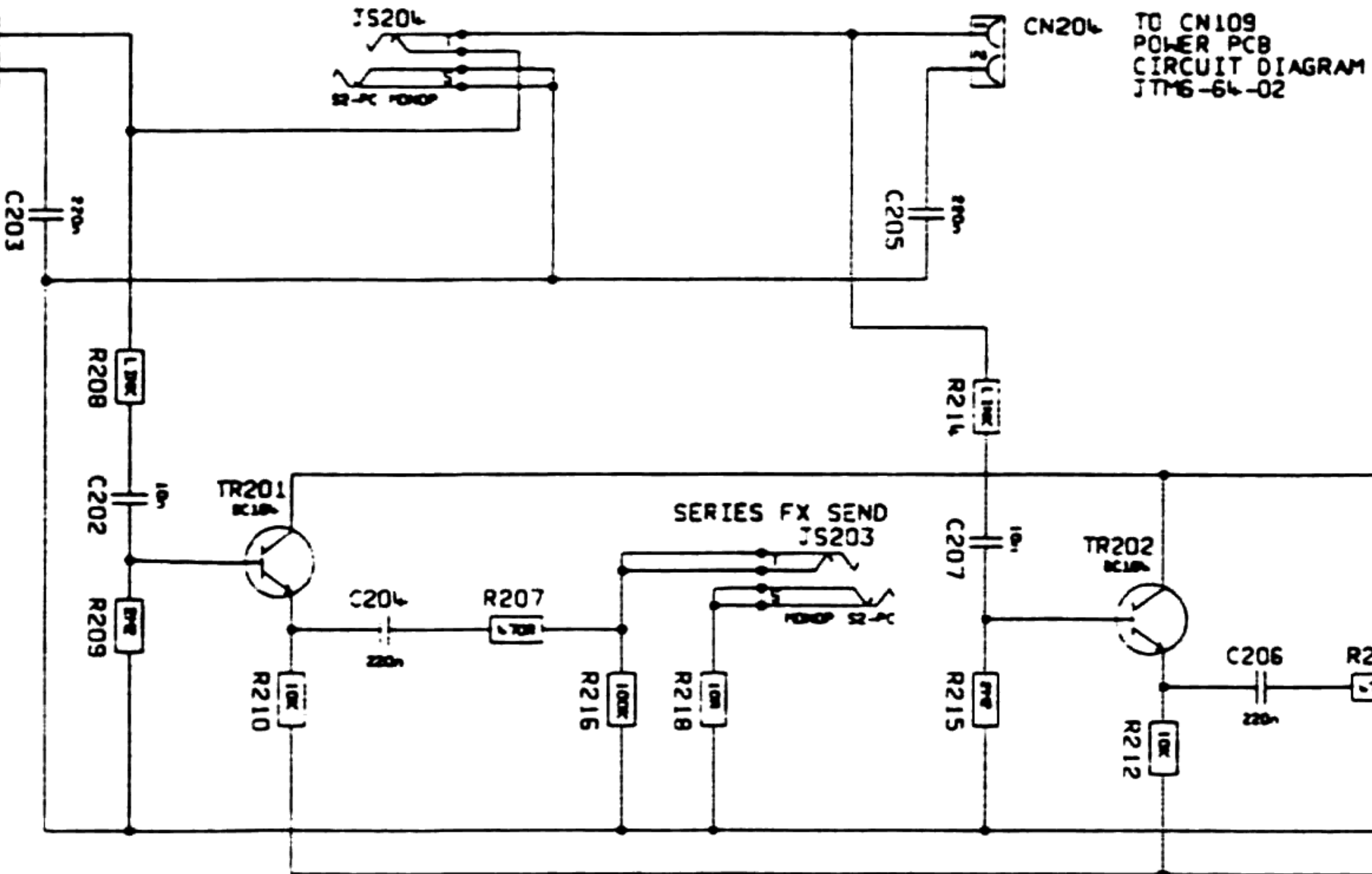
OUTPUT TRANSFORMER DRAKE 292\_772

POWER PCB  
CIRCUIT DIAGRAM  
JTM6-64-02



TO CN6  
PRE-AMP PCB  
CIRCUIT DIAGRAM  
JTM6-63-02

SERIES FX RETURN



NOTE:- R205 & LK201 NOT FITTED

SAFETY CRITICAL COMPONENTS.  
COMPONENTS MUST BE REPLACED  
WITH THE SAME TYPE AND  
RATING ONLY.

ECO NUMBER		DATE		ALL OTHER HOLES -		X - (THROUGH PLATED)		TITLE		Dwg.No		ISS	
1	L315	22/10/96		A	E	J	N	JTM600		J600-62-02		1	
ISS		DATE		B	F	K	P	JTM600		J600-62-02		1	
ISS		DATE		C	G	L	Q	JTM600		J600-62-02		1	
ISS		DATE		D	H	M	R	JTM600		J600-62-02		1	

*Marshall*

© JIM MARSHALL (PRODUCTS) LTD.  
DENBIGH ROAD, SLEIGHTLEY, MILTON KEYNES, MK1 1DB.  
TEL (0508)379411 FAX (0508)378118

TITLE MAINS/OUTPUT PCB  
CIRCUIT DIAGRAM

Dwg.No J600-62-02 ISS 1