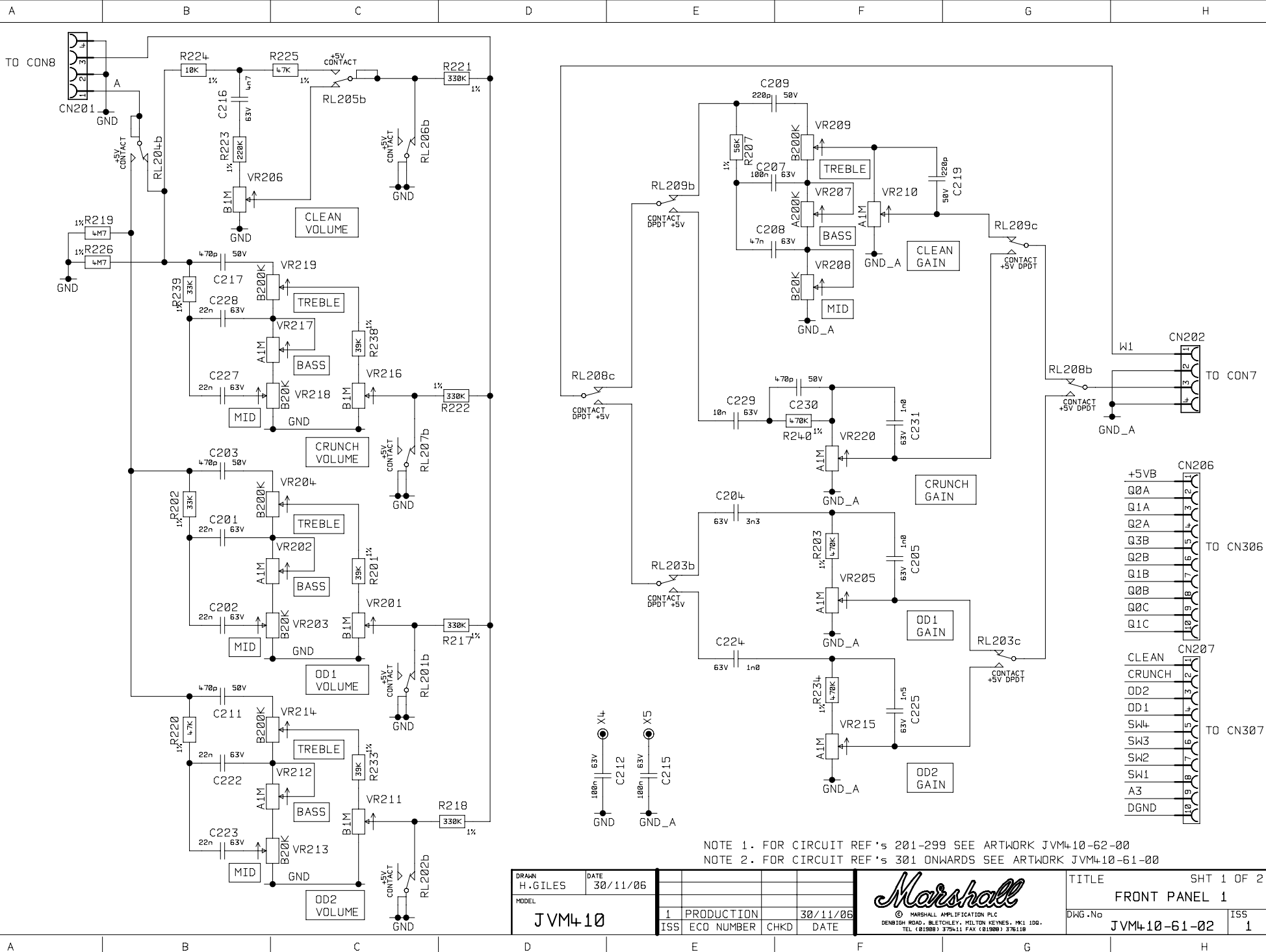


DRAWN H.GILES	DATE 23/11/06		
MODEL JVM4-10	ISS 2	ECO NUMBER 2843	CHKD S.A.
		DATE 07/12/06	23/11/06



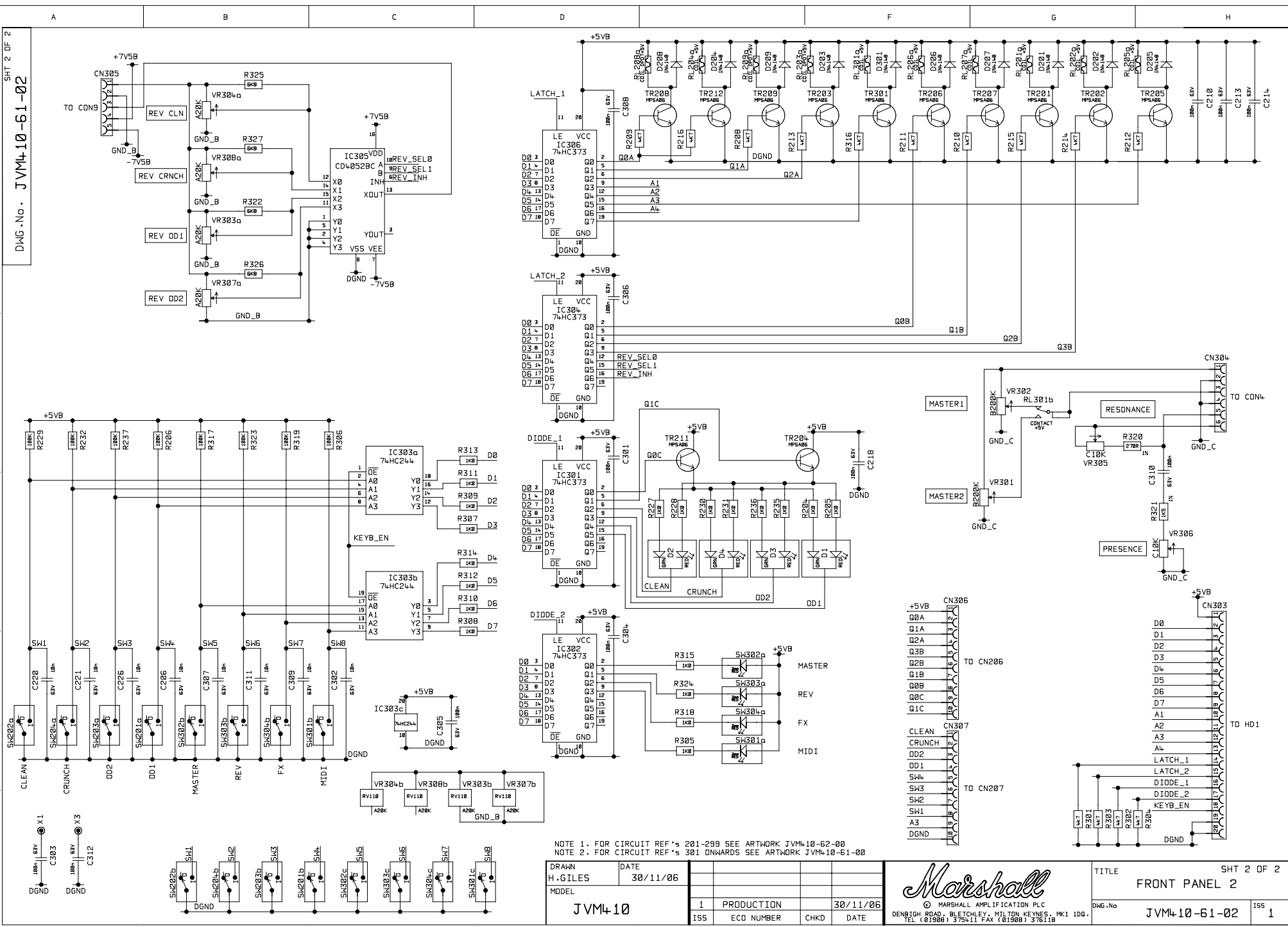
TITLE PRE AMP	SHT 1 OF 2
DWG. No JVM4-10-60-02	ISS 2

SHT 1 OF 2
DWG.No. JVM410-61-02



NOTE 1. FOR CIRCUIT REF'S 201-299 SEE ARTWORK JVM410-62-00
NOTE 2. FOR CIRCUIT REF'S 301 ONWARDS SEE ARTWORK JVM410-61-00

DRAWN H.GILES		DATE 30/11/06								TITLE SHT 1 OF 2 FRONT PANEL 1	
MODEL JVM410		ISS 1		PRODUCTION 30/11/06		CHKD DATE				DWG.No JVM410-61-02	
								<small>© MARSHALL AMPLIFICATION PLC DENBIGH ROAD, BLETCHLEY, MILTON KEYNES, MK1 10Q. TEL (01298) 375411 FAX (01298) 376110</small>		ISS 1	



NOTE 1. FOR CIRCUIT REF'S 201-299 SEE ARTWORK JVM4-10-62-00
 NOTE 2. FOR CIRCUIT REF'S 301 ONWARDS SEE ARTWORK JVM4-10-61-00

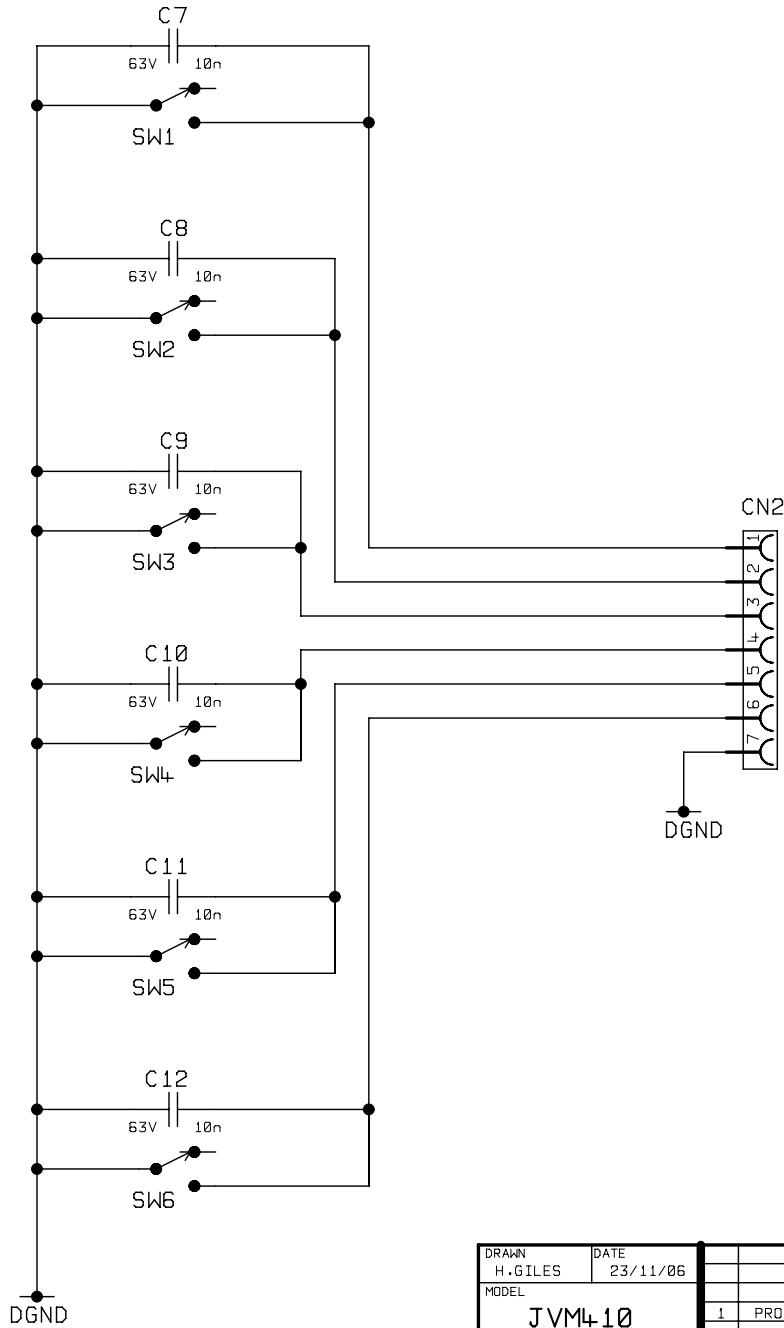
DRAWN H.GILES	DATE 30/11/06
JVM4-10	

1	PRODUCTION	30/11/06
ISS	ECD NUMBER	CHKD
	DATE	



TITLE FRONT PANEL 2	SHT 2 OF 2
DIAG.No JVM4-10-61-02	ISS 1

DWG . No . J VM4-10-66-02



DRAWN H.GILES	DATE 23/11/06				
MODEL JVM4-10					

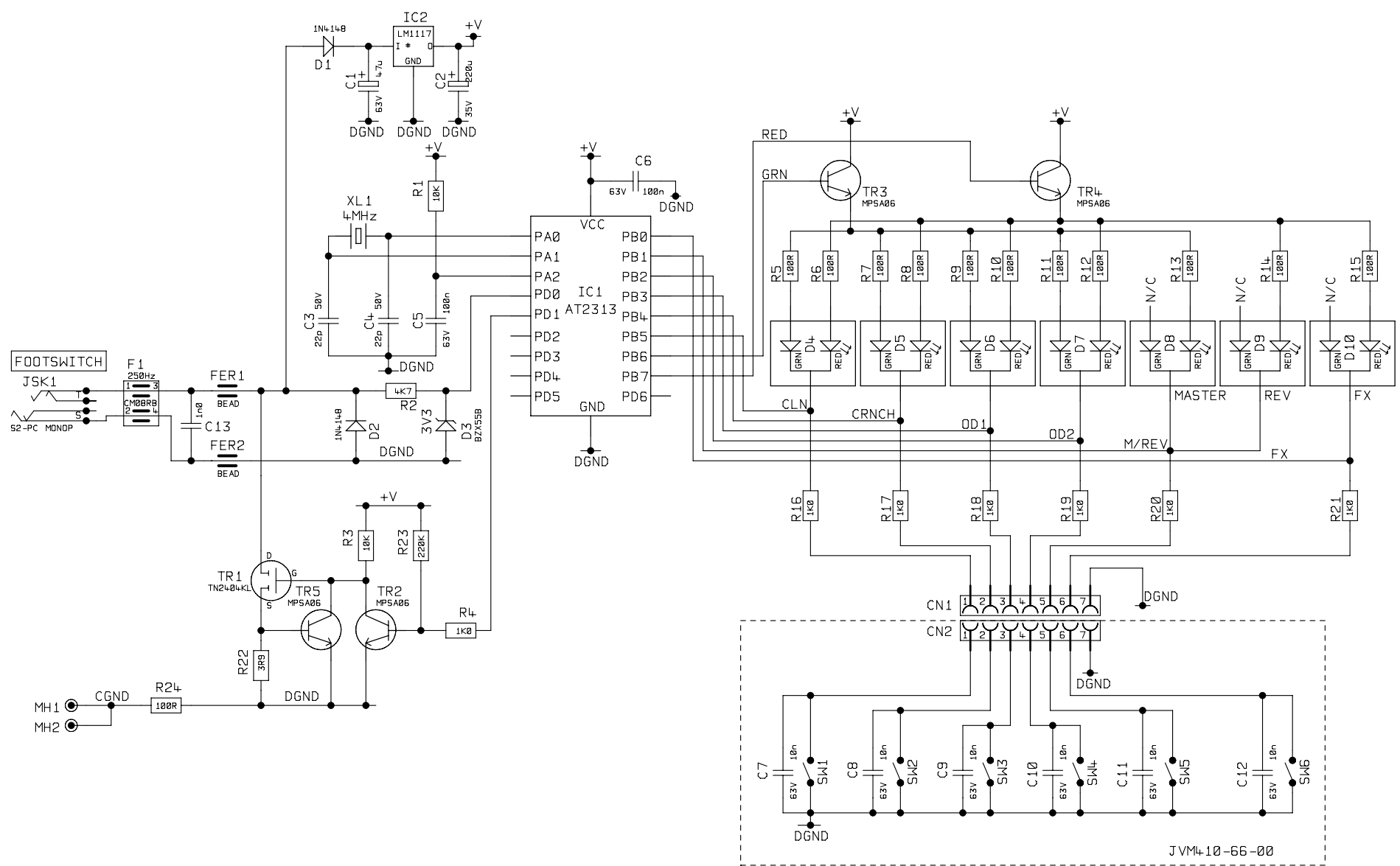
1	PRODUCTION	23/11/06		
ISS	ECO NUMBER	CHKD	DATE	

Marshall

© MARSHALL AMPLIFICATION PLC
DENBIGH ROAD BLECHLEY MILTON KEYNES MK1 10Q
TEL (01908) 375411 FAX (01908) 376110

TITLE	SWITCH x 6 PCB CIRCUIT DIAGRAM	
DWG.No	JVM4-10-66-02	ISS 1

SHT 1 OF 1
DWG.No. JVM4-10-67-02



JVM4-10-66-00

DRAWN H.GILES MODEL JVM4-10	DATE 23/11/06	2 2041 28/11/06 1 PRODUCTION S.A. 23/11/06 ISS ECO NUMBER CHKD DATE	 © MARSHALL AMPLIFICATION PLC DENBIGH ROAD, BLETCHLEY, MILTON KEYNES, MK1 1DB. TEL (01908) 375411 FAX (01908) 376118	TITLE FOOTSWITCH DWG.No JVM4-10-67-02 ISS 2	SHT 1 OF 1
--------------------------------------	------------------	---	--	--	------------