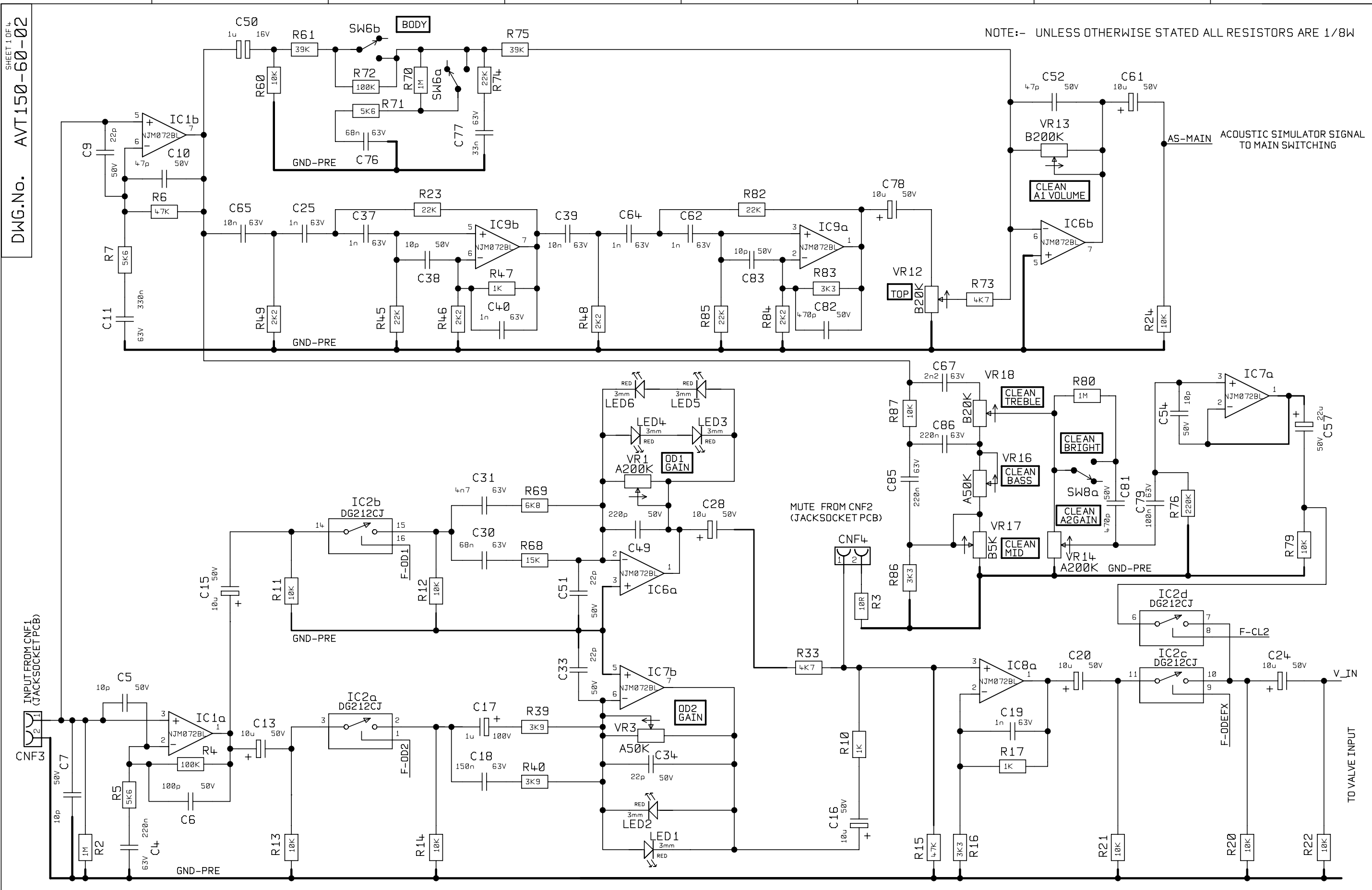


ignorelayers 4

SHEET 1 OF 4
DWG.No. AVT150-60-02

NOTE:- UNLESS OTHERWISE STATED ALL RESISTORS ARE 1/8W

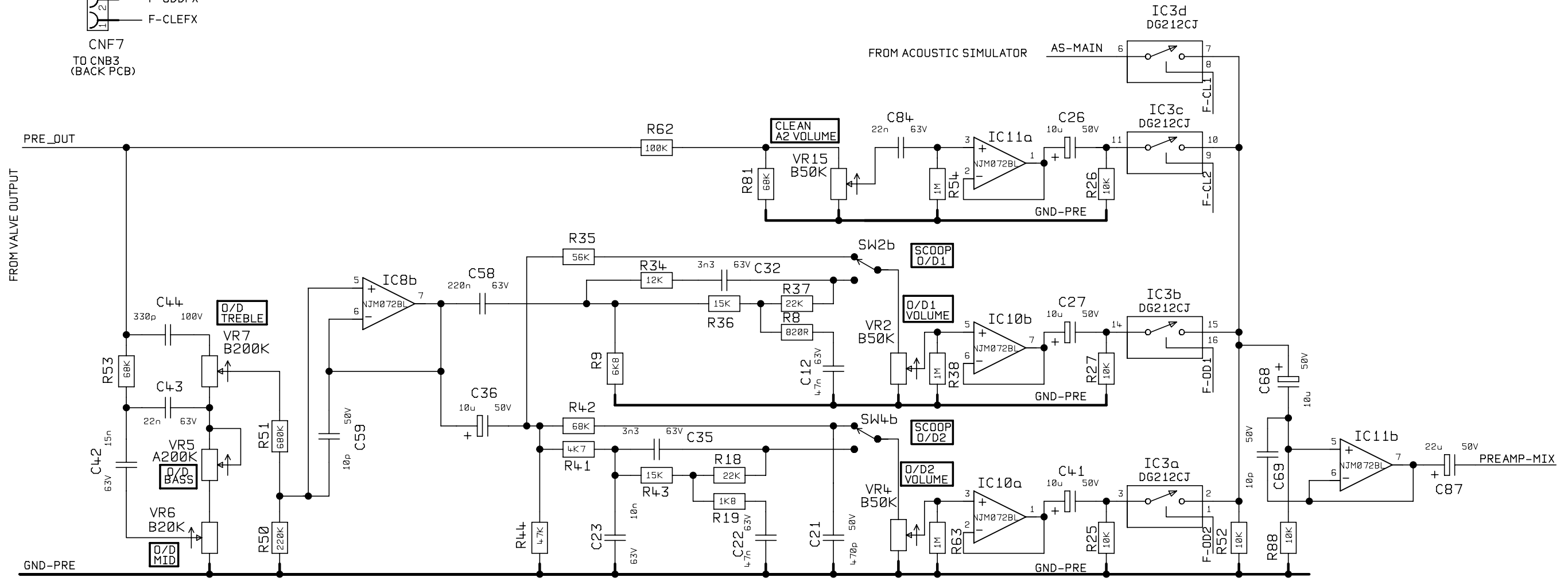
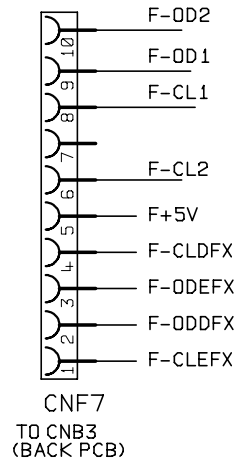


4	2005	28/06/01	ALL OTHER HOLES =				X = (THROUGH PLATED)				MATERIAL	DIMENSIONS IN		<p>© MARSHALL AMPLIFICATION PLC DENBIGH ROAD, BLETCHLEY, MILTON KEYNES, MK1 1DQ. TEL (01908) 375411 FAX (01908) 376118</p>	TITLE FRONT PCB CIRCUIT DIAGRAM DWG.No. AVT150-60-02
3		24/10/00	A	E	J	N	MATERIAL THICKNESS	TOLERANCE (UNLESS OTHERWISE STATED)		ISS					
2	1920	22/09/00	B	F	K	P	DRAWN RSB	DATE 12/09/00	MODEL	SHEET 1 OF 4					
ISS	ECO NUMBER	DATE	C	G	L	Q	CHECKED	DATE	AVT150/AVT150H/AVT275	4					
			D	H	M	R	APPROVED	DATE							

ignorelayers 4

SHEET 2 OF 4
DWG.No. AVT150-60-02

NOTE:- UNLESS OTHERWISE STATED ALL RESISTORS ARE 1/8W

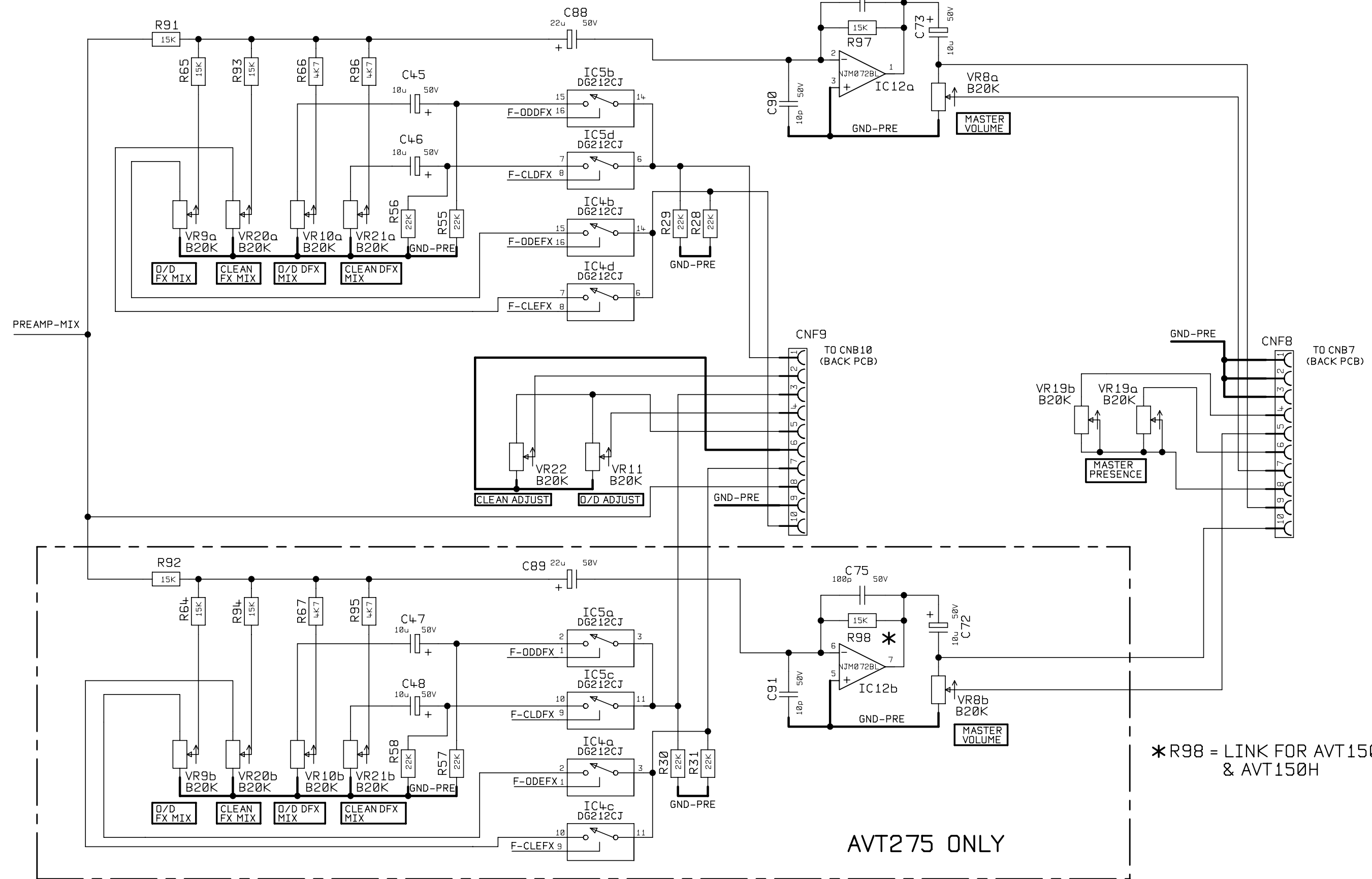


4	2005	28/06/01	ALL OTHER HOLES =				X = (THROUGH PLATED)				MATERIAL	DIMENSIONS IN		<p>© MARSHALL AMPLIFICATION PLC DENBIGH ROAD, BLETCHLEY, MILTON KEYNES, MK1 10G. TEL: (01908) 375411 FAX: (01908) 376110</p>	TITLE	FRONT PCB CIRCUIT DIAGRAM		
3		24/10/00	A	E	J	N	MATERIAL THICKNESS	TOLERANCE (UNLESS OTHERWISE STATED)		DRAWN	RSB	DATE	12/09/00		DWG.No	AVT150-60-02	ISS	4
2	1920	22/09/00	B	F	K	P	CHECKED	MODEL		DATE								
ISS	ECO NUMBER	DATE	C	G	L	Q	APPROVED	AVT150/AVT150H/AVT275		DATE								
			D	H	M	R												

ignorelayers 4

SHEET 3 OF 4
DWG.No. AVT150-60-02

NOTE:- UNLESS OTHERWISE STATED ALL RESISTORS ARE 1/8W



* R98 = LINK FOR AVT150 & AVT150H

AVT275 ONLY

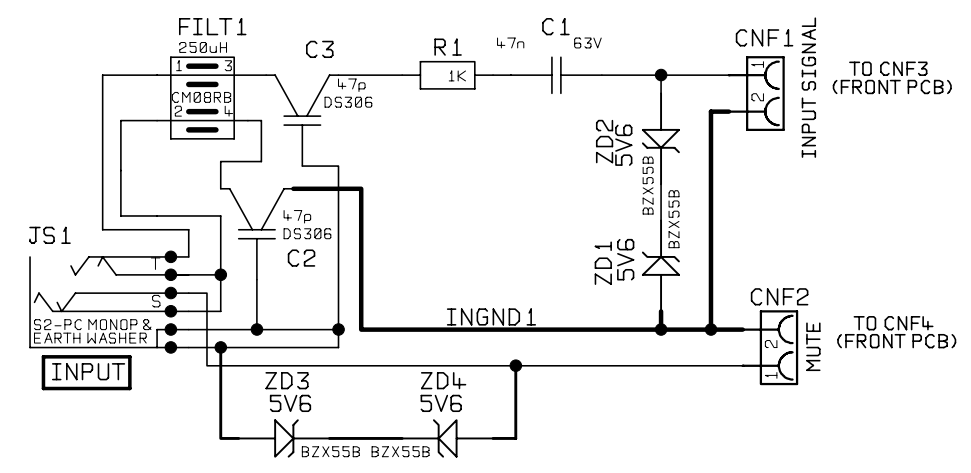
4	2005	28/06/01	ALL OTHER HOLES =												X = (THROUGH PLATED)		MATERIAL		DIMENSIONS IN		<p>© MARSHALL AMPLIFICATION PLC DENBIGH ROAD, BLETCHLEY, MILTON KEYNES, MK1 10G. TEL: (01908) 375411 FAX: (01908) 376110</p>	TITLE	
3		24/10/00	A	E														TOLERANCE (UNLESS OTHERWISE STATED)		FRONT PCB CIRCUIT DIAGRAM			
2	1920	22/09/00	B	F														MODEL		DWG.No. AVT150-60-02			
ISS	ECO NUMBER	DATE	C	G														AVT150/AVT150H/AVT275		SHEET 3 OF 4			
			D	H														DATE		ISS 4			

ignorelayers 4

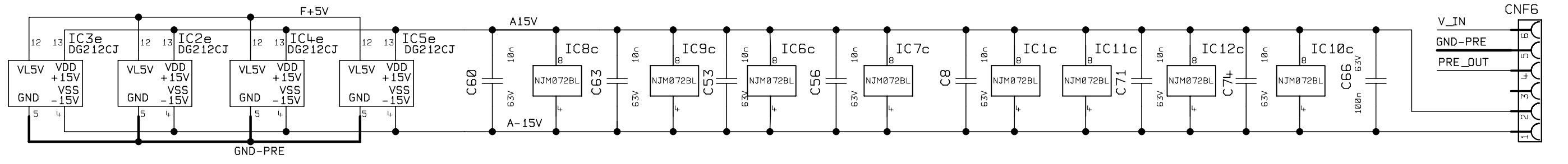
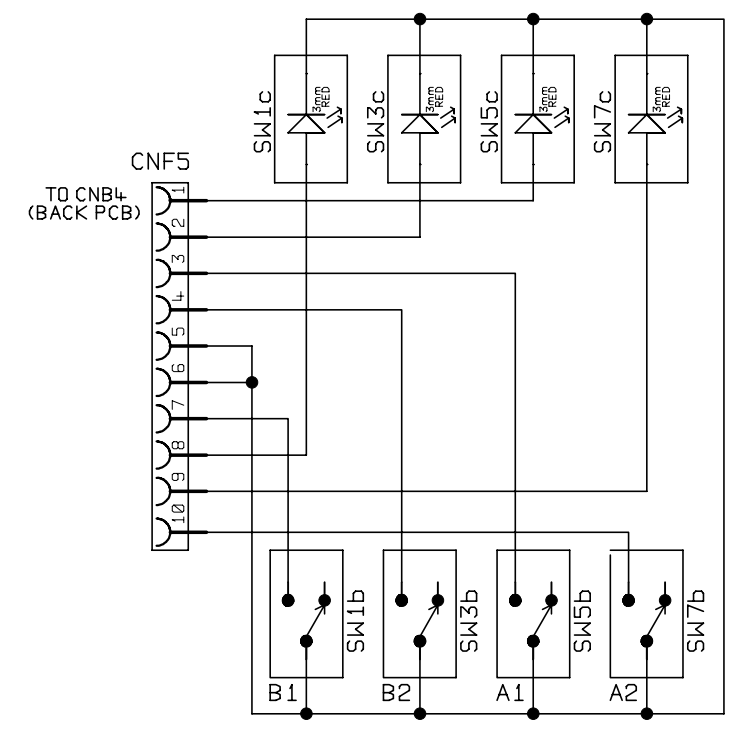
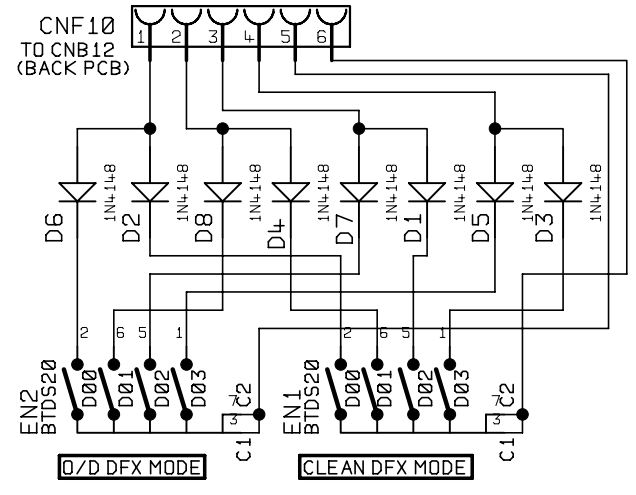
SHEET 4 OF 4
DWG.No. AVT150-60-02

NOTE:- UNLESS OTHERWISE STATED ALL RESISTORS ARE 1/8W

JACKSOCKET PCB



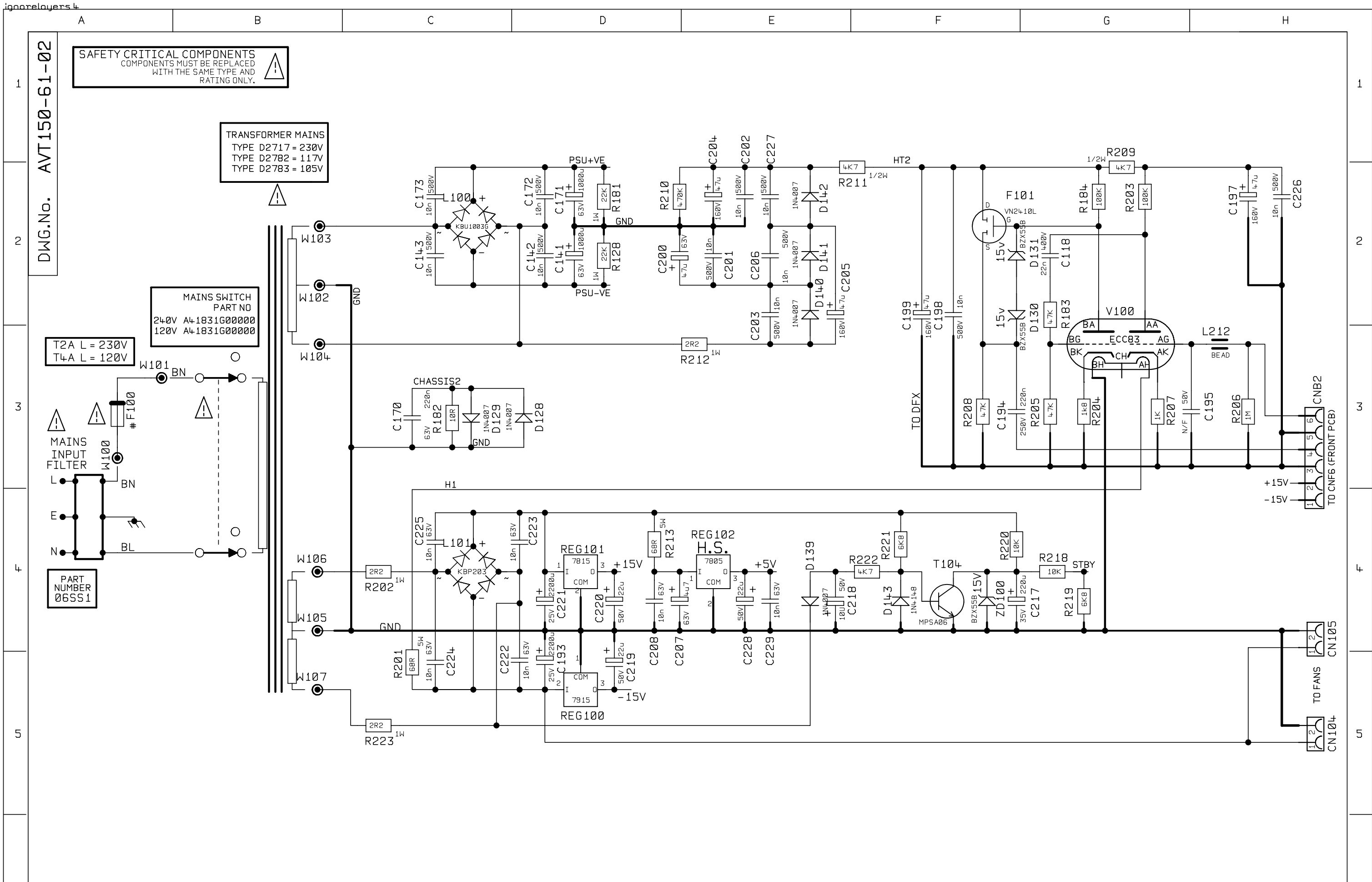
ENCODER PCB



4	2005	28/06/01	A	E	J	N
3		24/10/00	B	F	K	P
2	1920	22/09/00	C	G	L	Q
ISS	ECO NUMBER	DATE	D	H	M	R



TITLE	FRONT PCB CIRCUIT DIAGRAM	
DWG.No	AVT150-60-02	ISS 4



DWG.No. AVT150-61-02

SAFETY CRITICAL COMPONENTS
COMPONENTS MUST BE REPLACED
WITH THE SAME TYPE AND
RATING ONLY.

TRANSFORMER MAINS
TYPE D2717 = 230V
TYPE D2782 = 117V
TYPE D2783 = 105V

MAINS SWITCH
PART NO
240V A4.1831G00000
120V A4.1831G00000

T2A L = 230V
T4A L = 120V

MAINS
INPUT
FILTER

PART
NUMBER
06SS1

ALL OTHER HOLES = X = (THROUGH PLATED)

3	1936	23-10-2000	A	E	J	N
2	1918	19-9-2000	B	F	K	P
ISS	ECO NUMBER	DATE	C	G	L	Q
			D	H	M	R

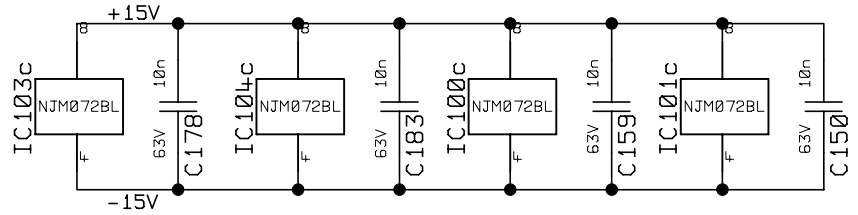
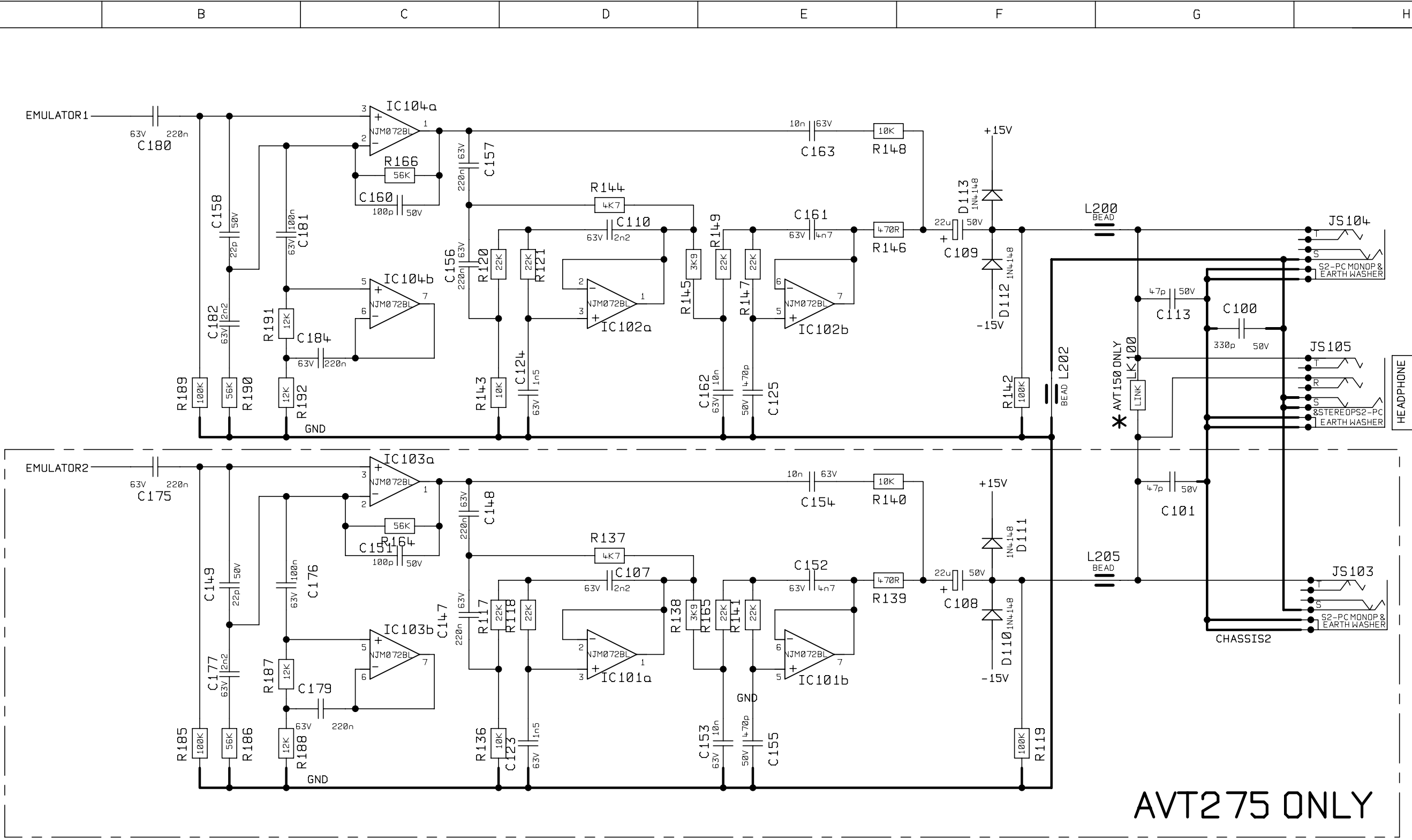
MATERIAL	DIMENSIONS IN
MATERIAL THICKNESS	TOLERANCE (UNLESS OTHERWISE STATED)
DRAWN A.G.	DATE 15-8-00
CHECKED	DATE
APPROVED	DATE

MODEL	AVT150/AVT150H AVT275
-------	--------------------------

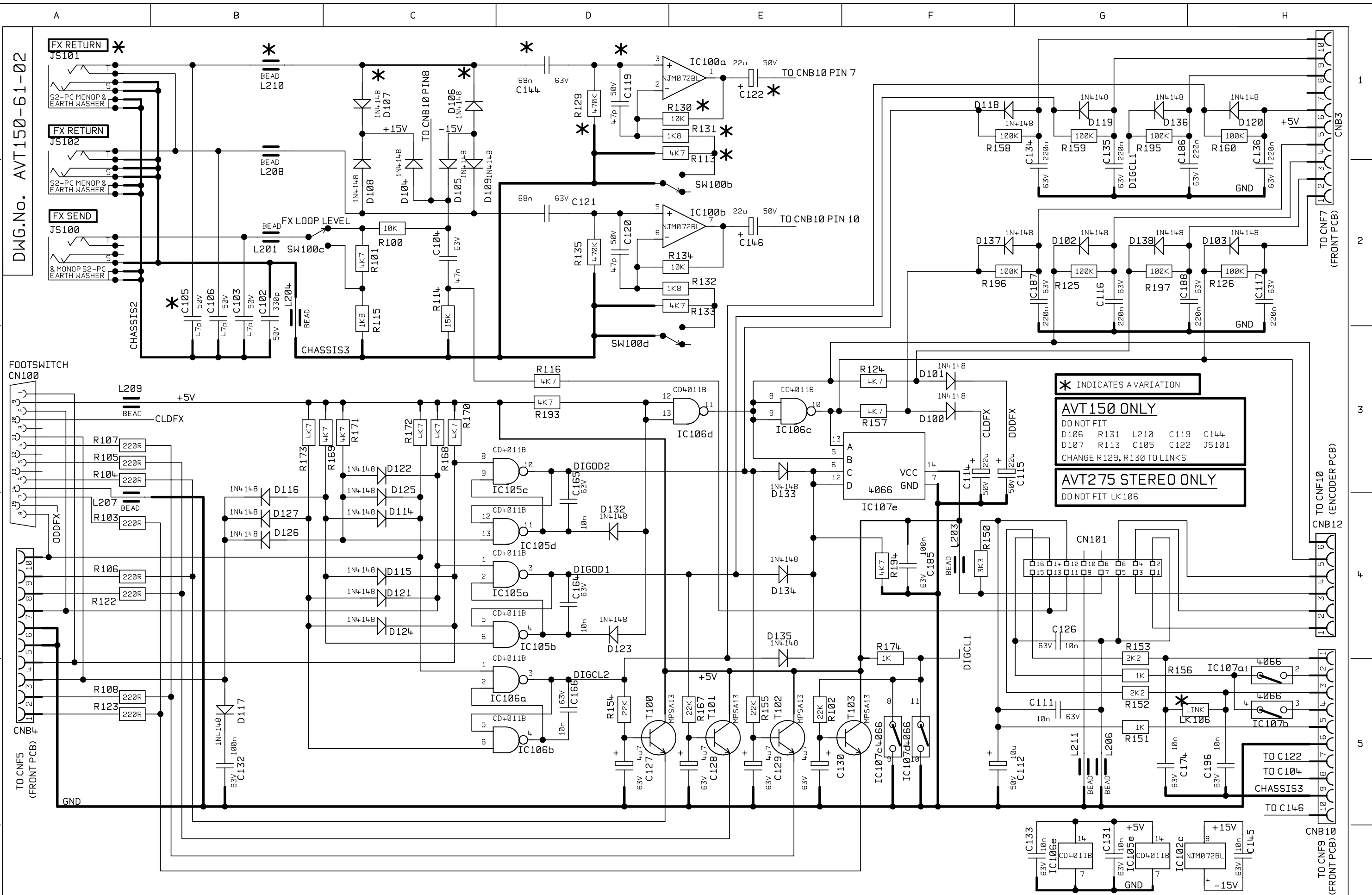


TITLE	BACK PCB CIRCUIT
DWG.No	AVT150-61-02
ISS	3
SHT 1 OF 4	

DWG.No. AVT150-61-02



3		1936	23-10-2000	ALL OTHER HOLES =		X = (THROUGH PLATED)		MATERIAL	DIMENSIONS IN	<p>MARSHALL AMPLIFICATION PLC DENBIGH ROAD, BLETCHLEY, MILTON KEYNES, MK1 1DQ. TEL: (01908) 375411 FAX: (01908) 376118</p>	TITLE	BACK PCB CIRCUIT SHT 2 OF 4 DWG.No AVT150-61-02 ISS 3
2		1918	19-9-2000	A	E	J	N	MATERIAL THICKNESS	TOLERANCE (UNLESS OTHERWISE STATED)			
ISS		ECO NUMBER	DATE	B	F	K	P	DRAWN A.G.	DATE 17-8-00			
				C	G	L	Q	CHECKED	DATE			
				D	H	M	R	APPROVED	DATE	MODEL	AVT150/AVT150H AVT275	



*** INDICATES A VARIATION**

AVT150 ONLY
 DO NOT FIT
 D106 R131 L210 C119 C144
 D107 R113 C105 C122 JS101
 CHANGE R129, R130 TO LINKS

AVT275 STEREO ONLY
 DO NOT FIT LK106

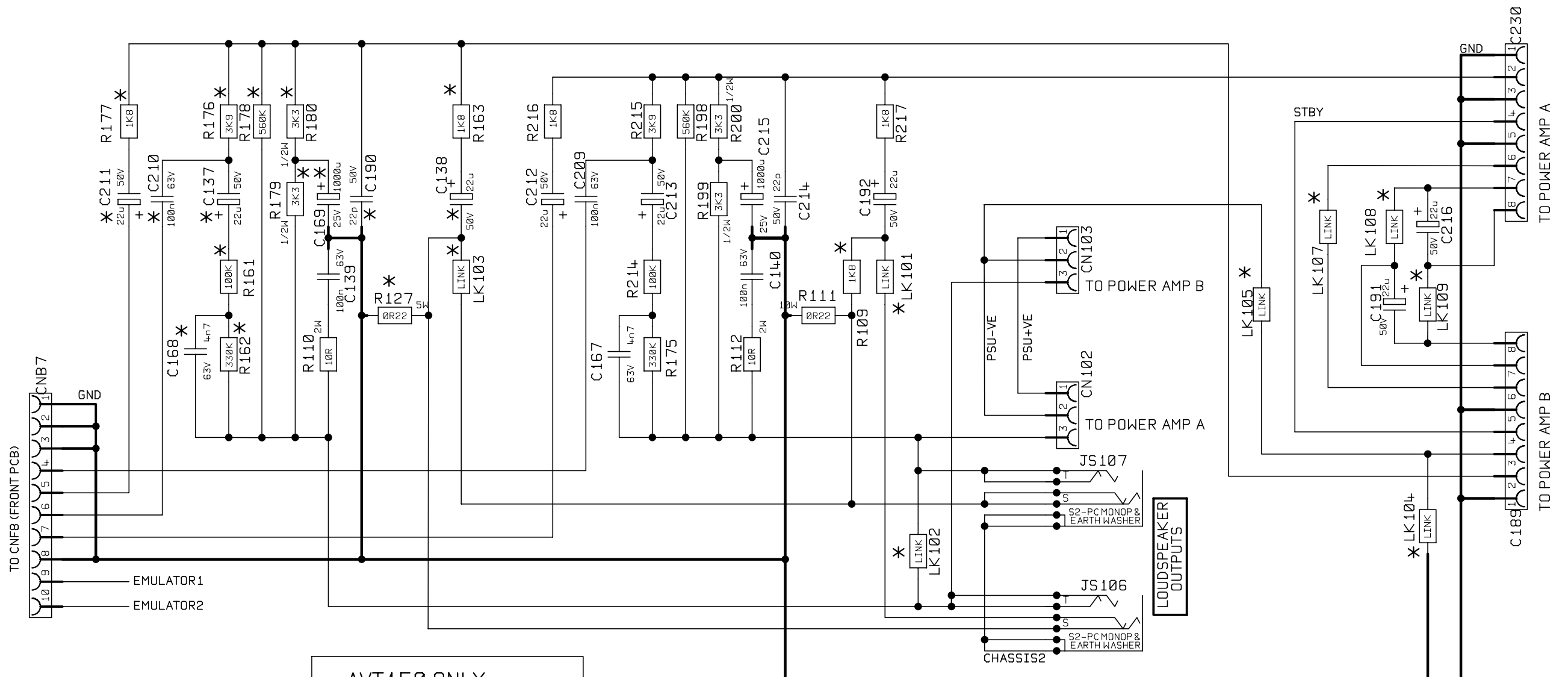
		ALL OTHER HOLES =				X = (THROUGH PLATED)			
3	1936	23-10-2000	A	E	J	N			
2	1918	19-9-2000	B	F	K	P			
ISS	ECO NUMBER	DATE	C	G	L	Q			
			D	H	M	R			

MATERIAL		DIMENSIONS IN	
MATERIAL THICKNESS		TOLERANCE (UNLESS OTHERWISE STATED)	
DRAWN A.G.	DATE 9-8-2000		
CHECKED	DATE	MODEL AVT150/AVT150H AVT275	
APPROVED	DATE		



TITLE BACK PCB CIRCUIT		SHT 3 OF 4	
DWG.No AVT150-61-02		ISS 3	

DWG.No. AVT150-61-02



* INDICATES A VARIATION

AVT275 STEREO ONLY

DO NOT FIT
LK101, LK102, LK103, LK105
LK107, LK108, LK109

MUST FIT
LK104

CHANGE
R109 TO LINK

AVT150 ONLY

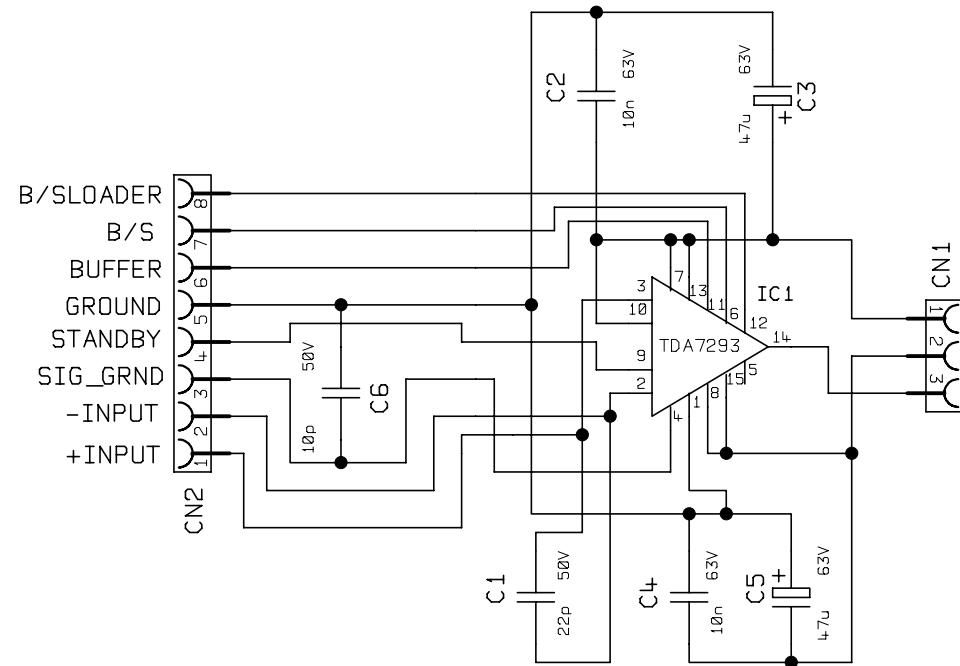
DO NOT FIT
C137 R127 (5WATT)
C138 R161
C168 R162
C169 R163
C190 R176
C210 R177
C211 R178
R179
R180
LK104

MUST FIT :-
LK101, LK102, LK103, LK105
LK107, LK108, LK109

3		1936	23-10-2000	ALL OTHER HOLES =		X = (THROUGH PLATED)		MATERIAL		DIMENSIONS IN		<p>© MARSHALL AMPLIFICATION PLC DENBIGH ROAD, BLETCHLEY, MILTON KEYNES, MK1 1DQ. TEL (01908) 375411 FAX (01908) 376118</p>	TITLE BACK PCB CIRCUIT SHT 4 OF 4 DWG.No AVT150-61-02 ISS 3
2		1918	19-9-2000	A	E	J	N	MATERIAL THICKNESS		TOLERANCE (UNLESS OTHERWISE STATED)			
ISS		ECO NUMBER	DATE	B	F	K	P	DRAWN	A.G.	DATE	17-8-00		
				C	G	L	Q	CHECKED		DATE			

RIGHT PAGE 13 +

DWG.No. AVT50-62-02



1	C6 ADDED	26/01/00
A	PRE-PRODUCTION	
ISS	ECO NUMBER	DATE

ALL OTHER HOLES =		X = (THROUGH PLATED)	
A	E	J	N
B	F	K	P
C	G	L	Q
D	H	M	R

MATERIAL		DIMENSIONS IN	
MATERIAL THICKNESS		TOLERANCE (UNLESS OTHERWISE STATED)	
DRAWN	SG	DATE	2/9/99
CHECKED		DATE	
APPROVED		DATE	

MODEL	AVT50,AVT100,AVT150 AVT150H & AVT275
-------	---



TITLE	AVT POWER MODULE SCHEMATIC	
DWG.No	AVT50-62-02	ISS 1