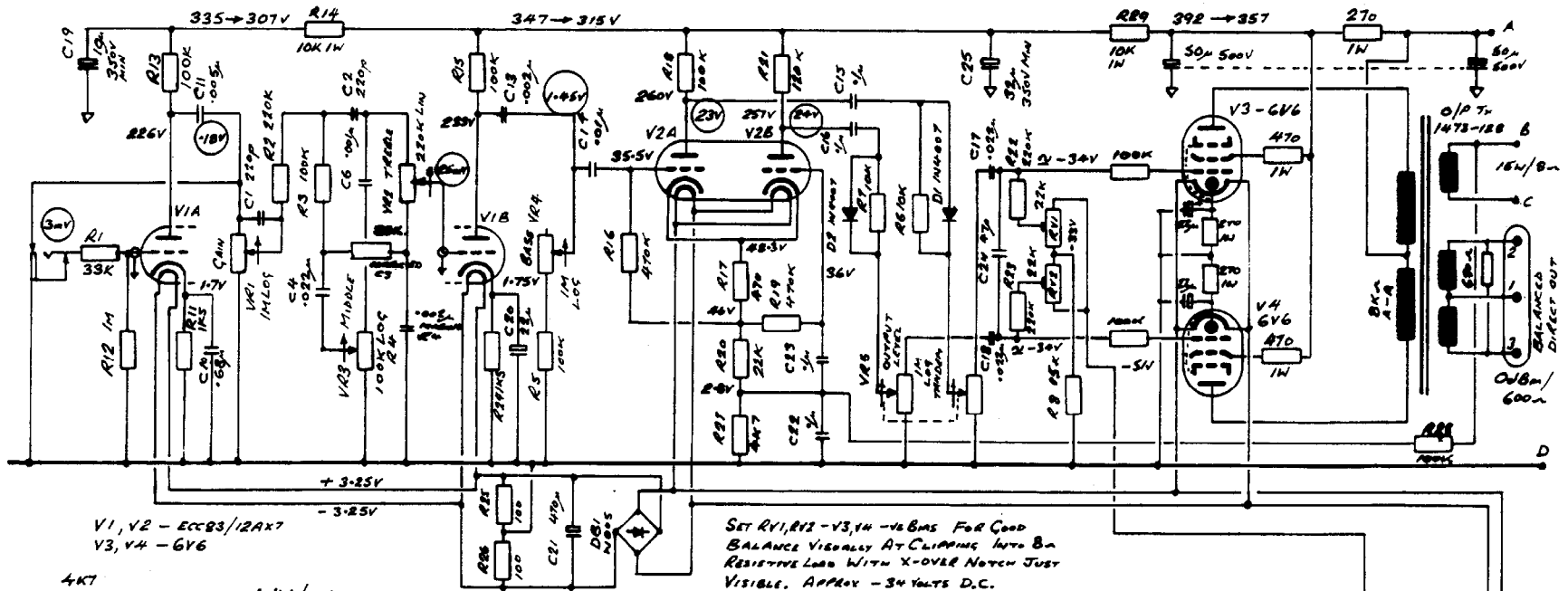
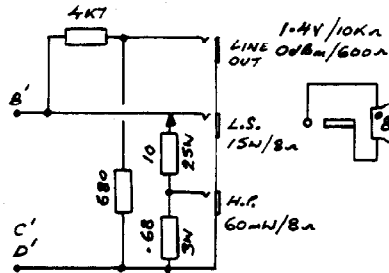


STUDIO 15 (MODEL 4001)

Marshall



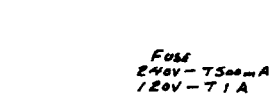
V1, V2 - ECC83/12AX7
V3, V4 - 6V6



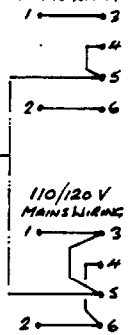
VOLTAGES SHOWN ARE TYPICAL AND SHOULD BE USED FOR REFERENCE ONLY

(V) TYPICAL SIGNAL FOR RATED OUTPUT

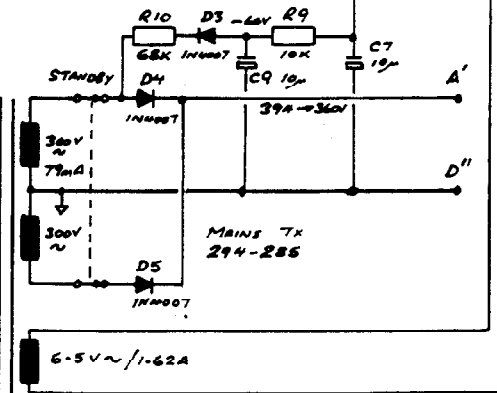
D.C. VOLTAGES QUIESCENT EXCEPT SHOWN → INDICATING CLIPPING D.C. LEVEL



280/240V
MAINS WIRING



110/120V
MAINS WIRING



Marshall "STUDIO 15" MODEL 4001

1551 B-5-85 S.C.