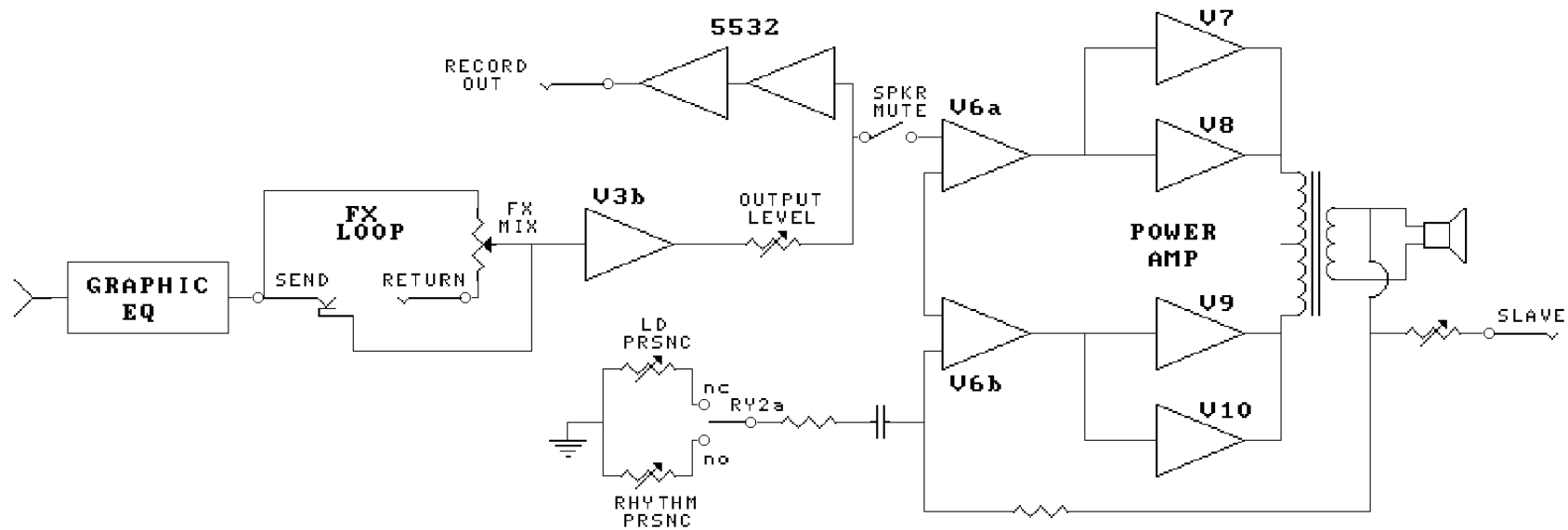
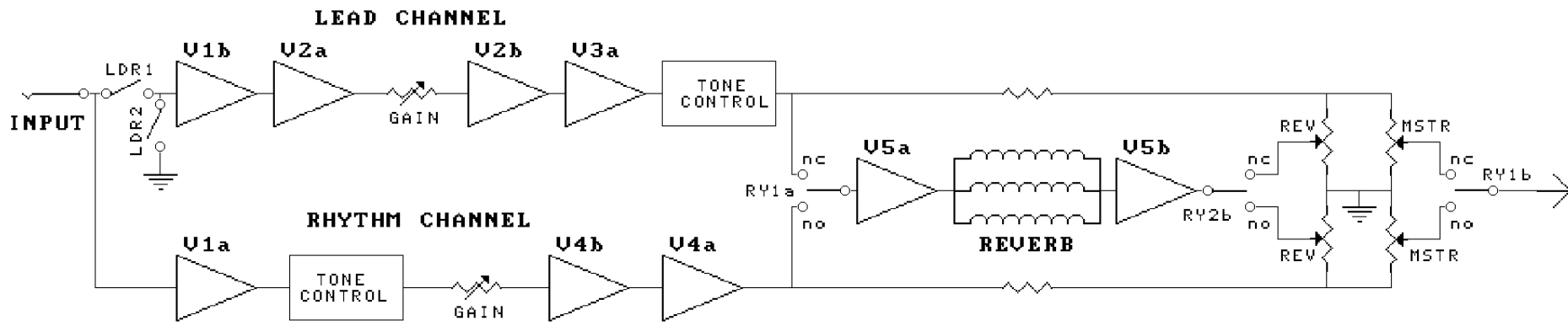


***MESA/BOOGIE***<sup>®</sup>

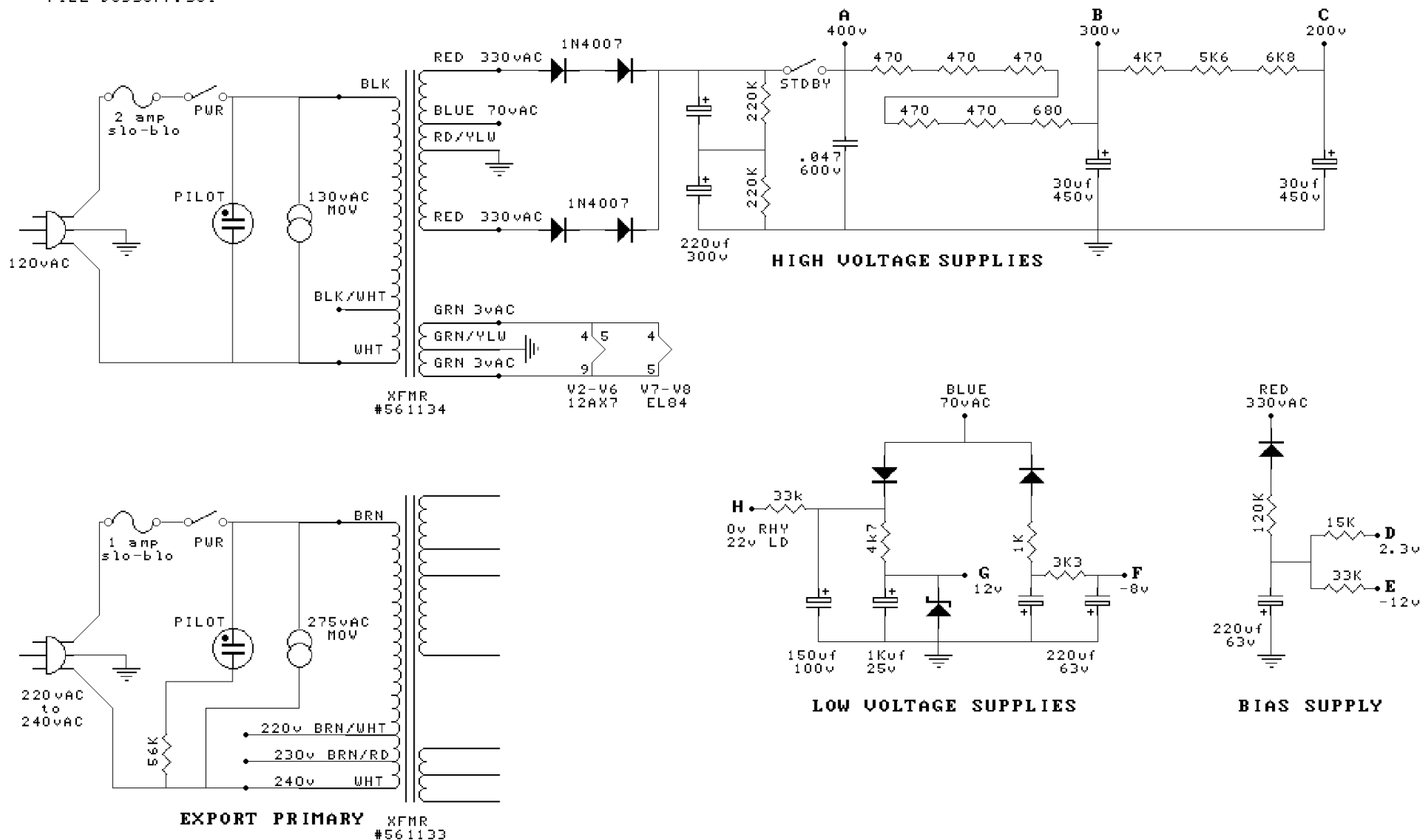
*DC-3*

MESA-BOOGIE  
 DC-3  
 BLOCK DIAGRAM  
 FILE DC3BLOCK.S01



# MESA-BOOGIE DC-3

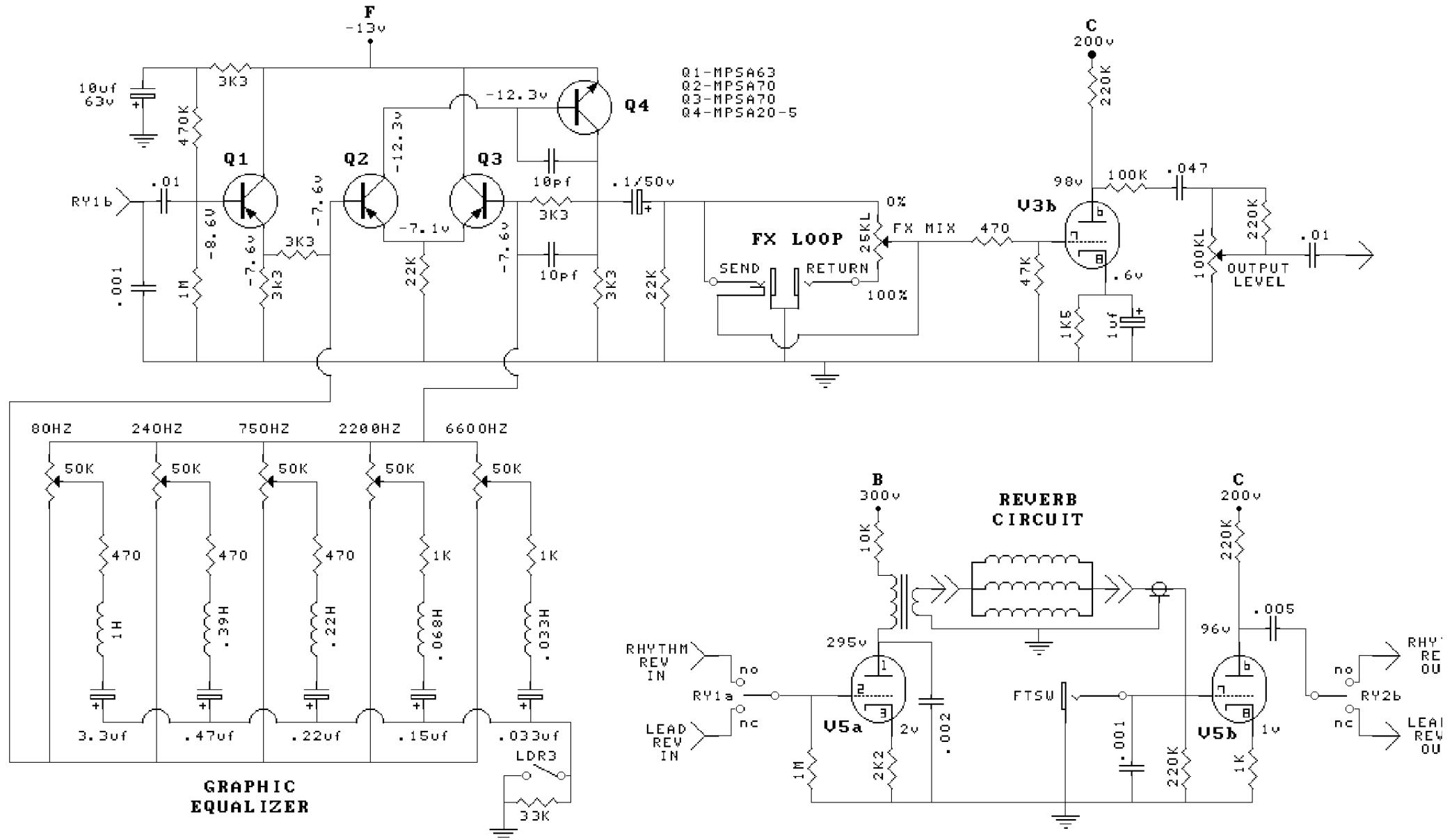
POWER SUPPLIES  
FILE DC3SUPP.S01





# MESA-BOOGIE DC-3

PREAMP PART 2  
FILE DC3PRE2.S01



# MESA-BOOGIE

DC-3

POWER AMP  
RECORD OUT

FILE DC3PMR.S01

