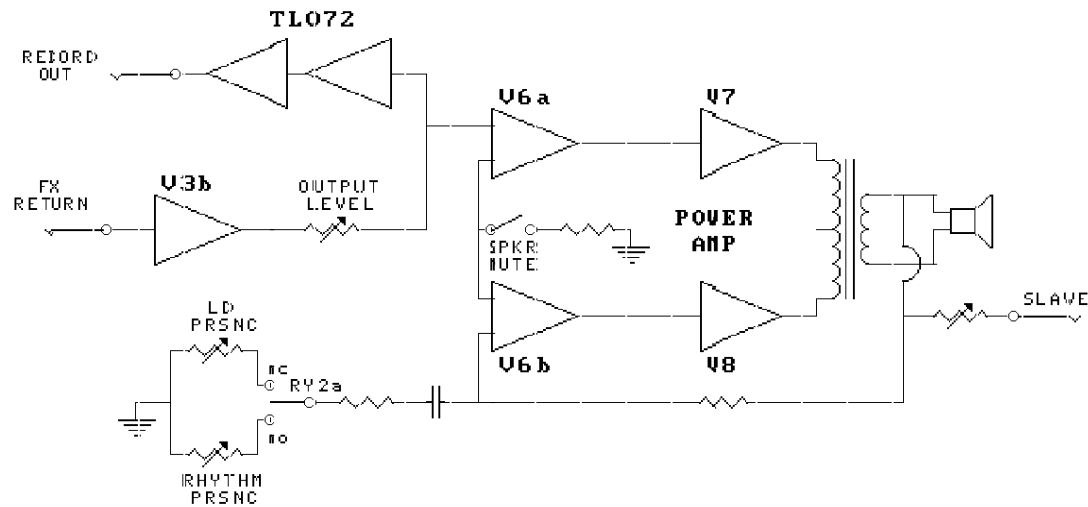
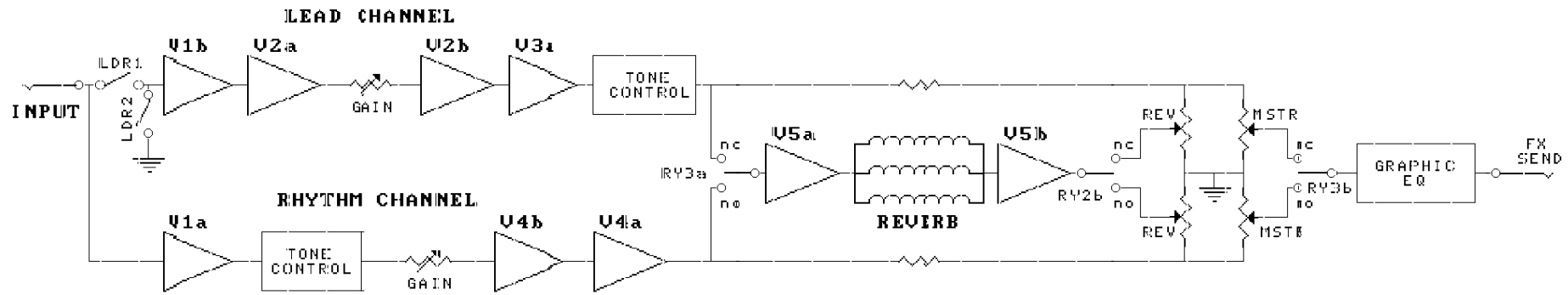


***MESA/BOOGIE***<sup>®</sup>

*DC-5*

**MESA-BOOGIE**  
**DC-5**  
**BLOCK DIAGRAM**  
 FILE DC5BLOCK.S01

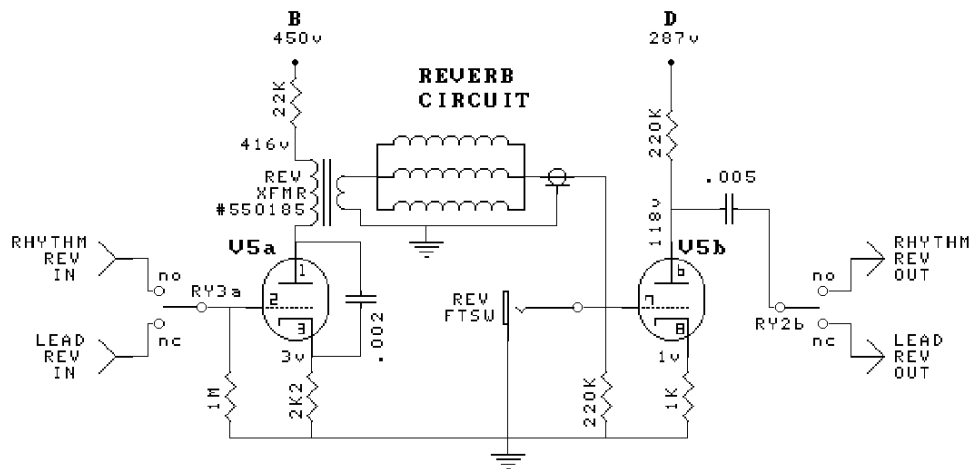
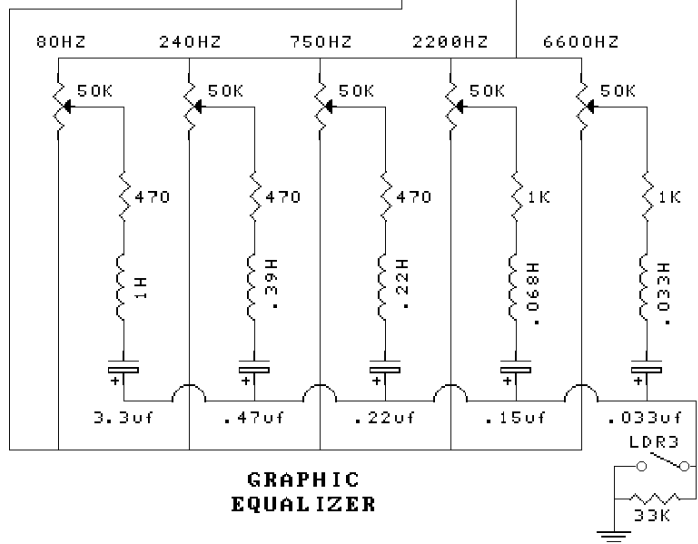
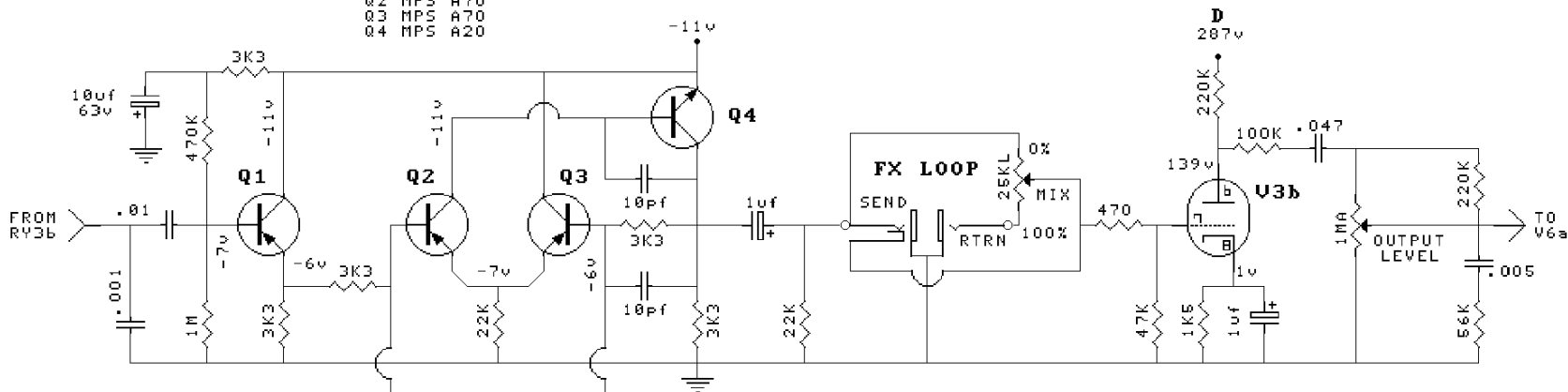


# MESA-BOOGIE DCS

## EQ and FX LOOP

FILE DC5EQ.S01

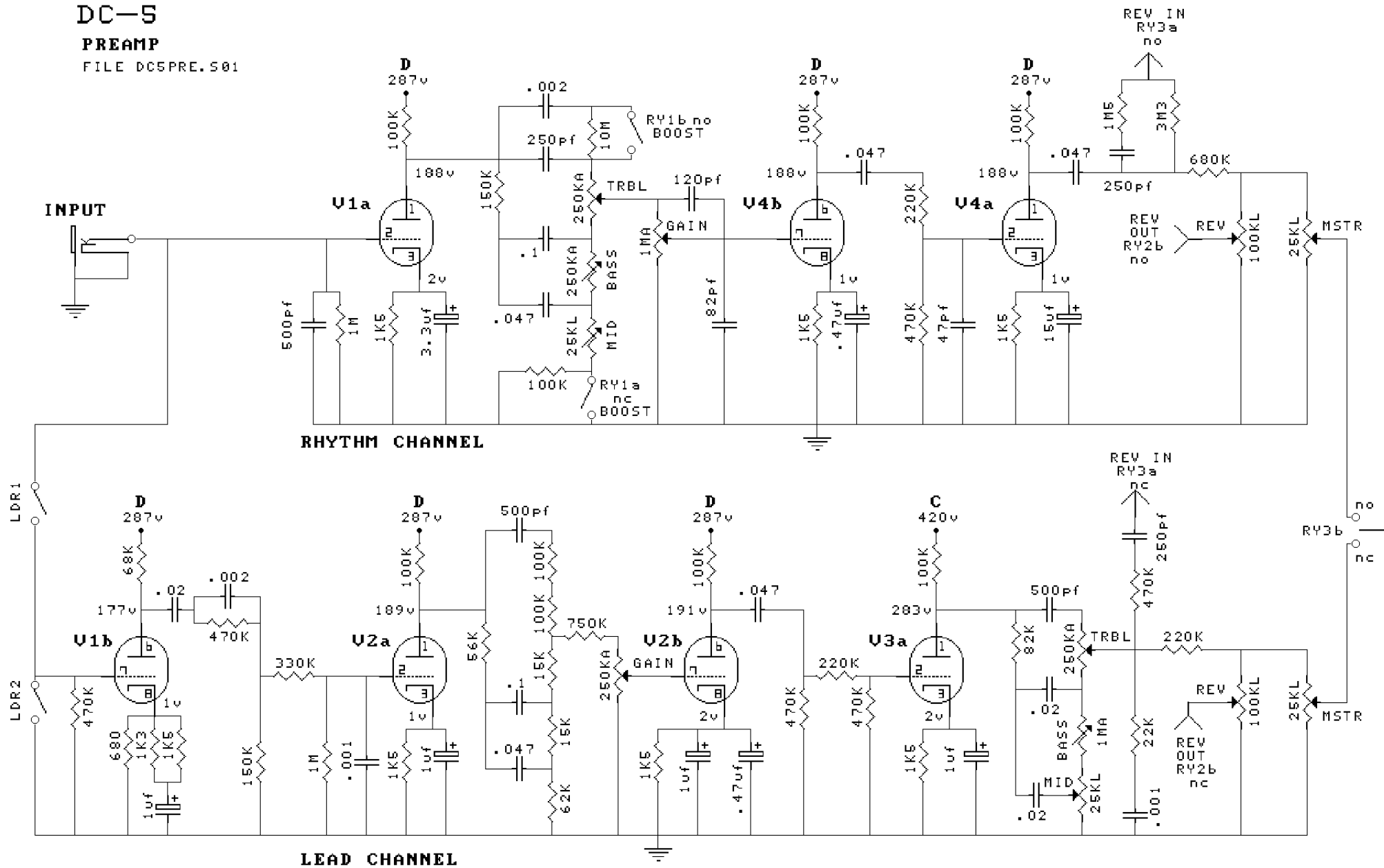
- Q1 MPS A63
- Q2 MPS A70
- Q3 MPS A70
- Q4 MPS A20



# MESA-BOOGIE DC-5

PREAMP

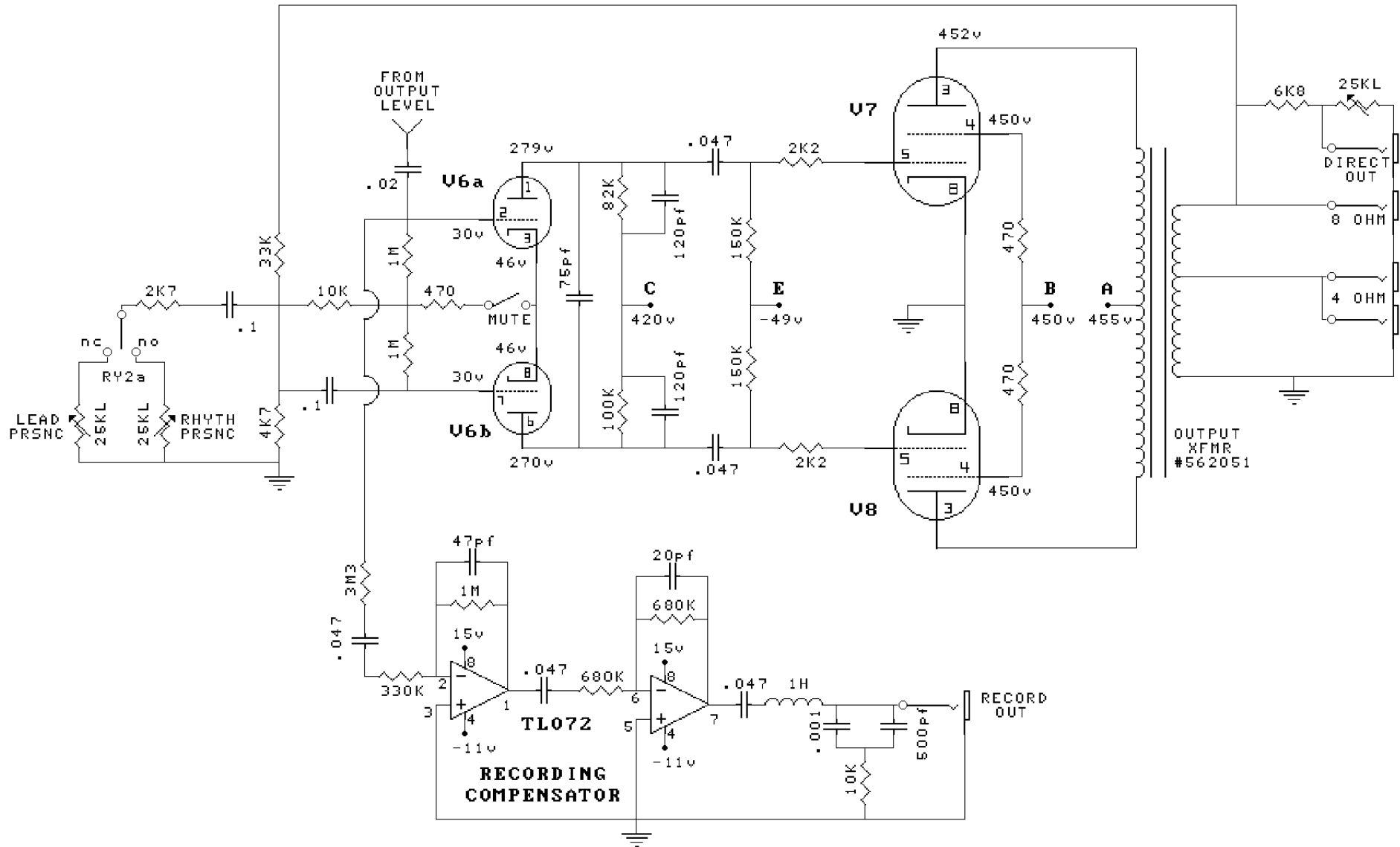
FILE DC5PRE.S01



# MESA-BOOGIE

## DC5 POWER AMP

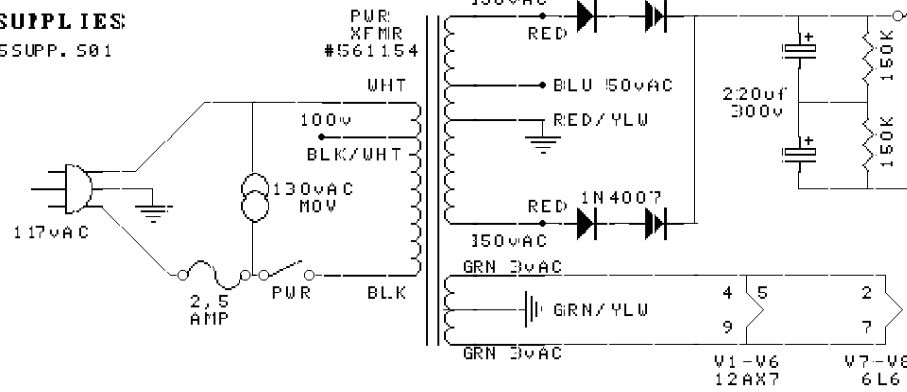
FILE DC5PUR.S01



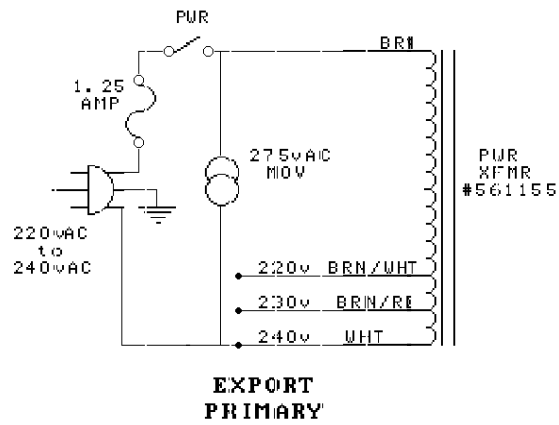
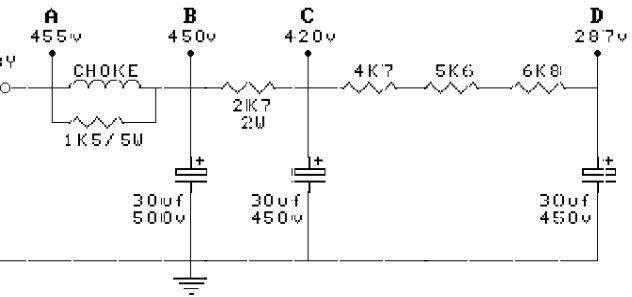
# MESA-BOOGIE

## DC-5

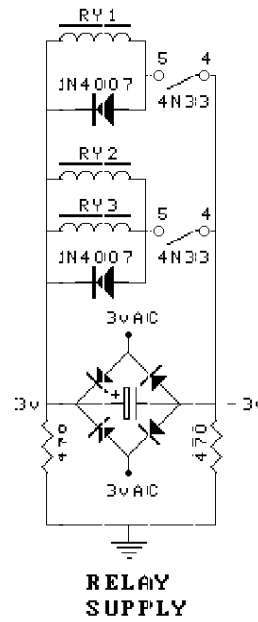
POWER SUPPLIES  
FILE DC5SUPP.S01



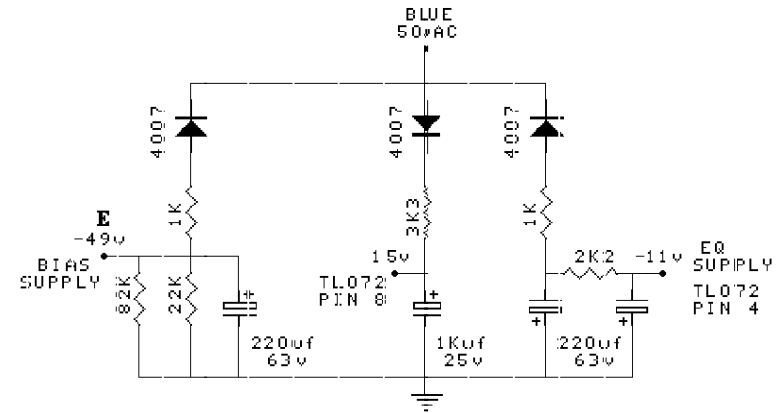
### HI VOLTAGE SUPPLIES



EXPORT  
PRIMARY



RELAY  
SUPPLY



LOW VOLTAGE SUPPLIES

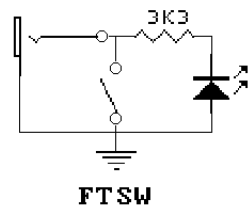
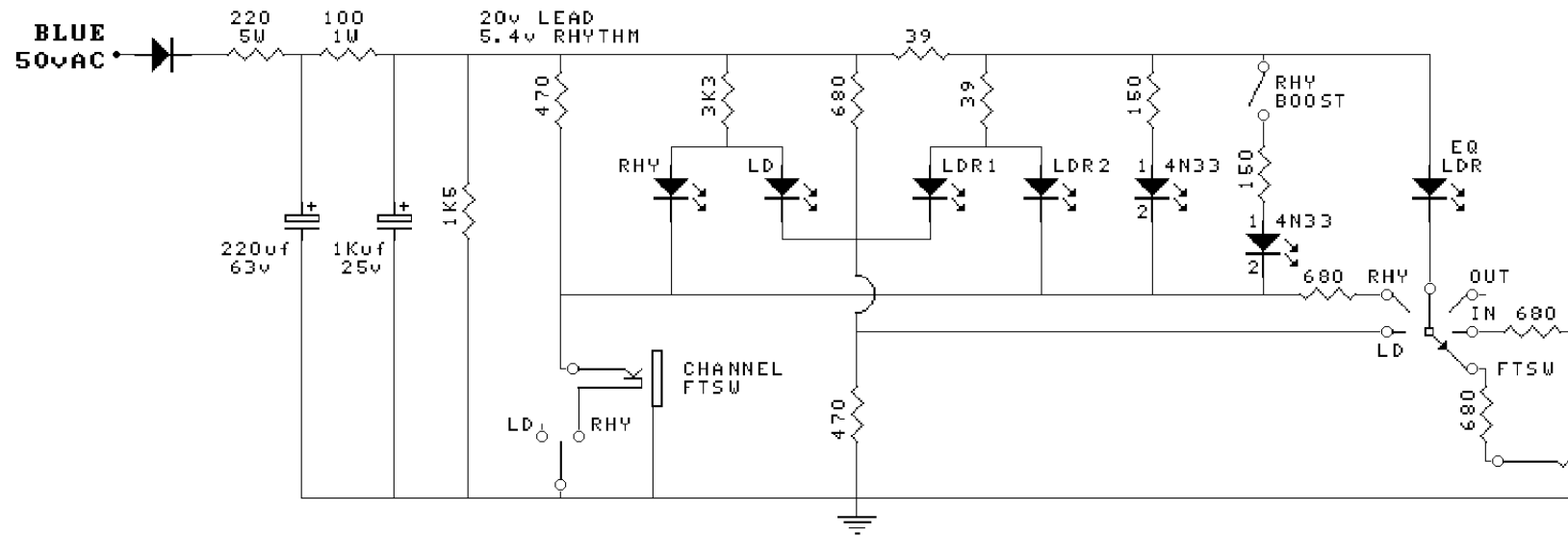
# MESA-BOOGIE

## DC-5

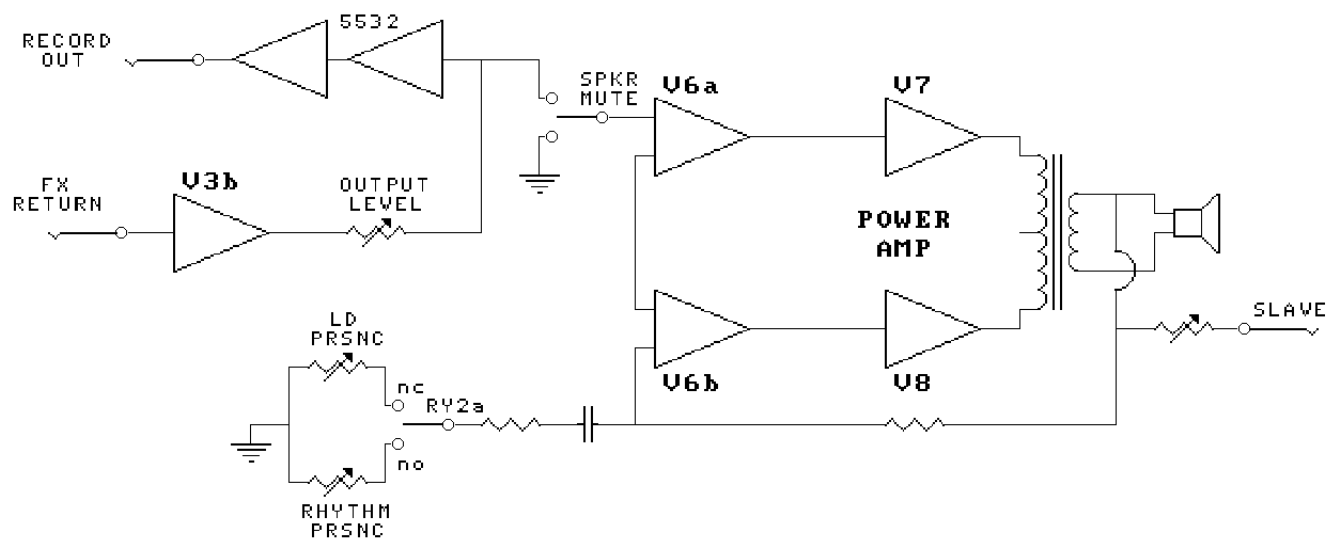
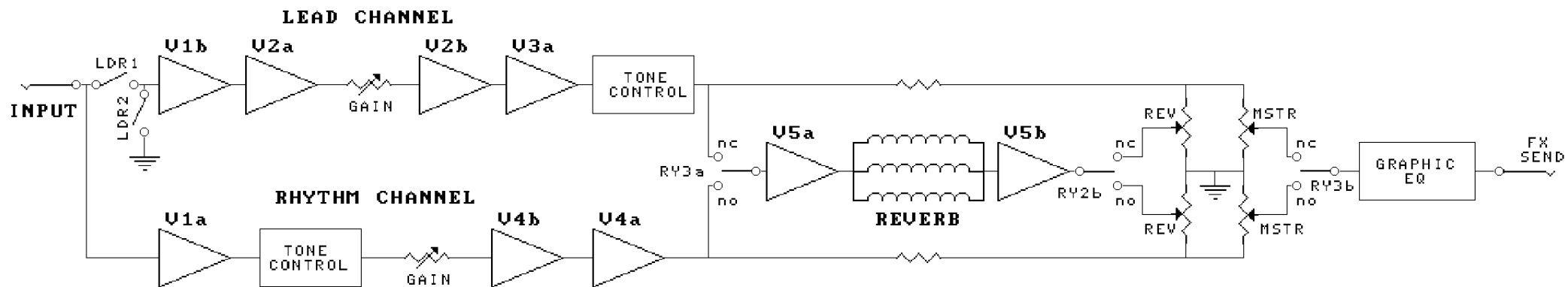
### SWITCHING MATRIX

FILE DC5SU.S01

6/6



**MESA-BOOGIE**  
**DC5B**  
**BLOCK DIAGRAM**  
 FILE DC5BBLOC.S01





# MESA-BOOGIE

## DC-5B

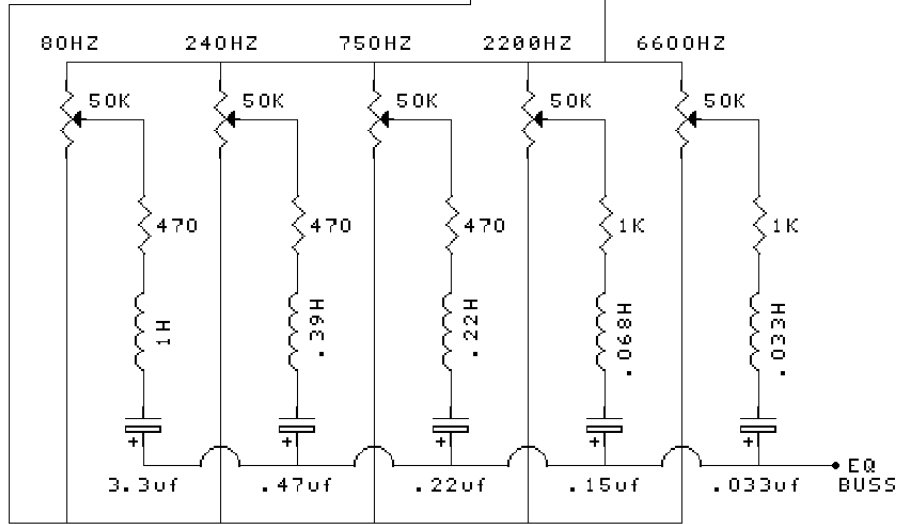
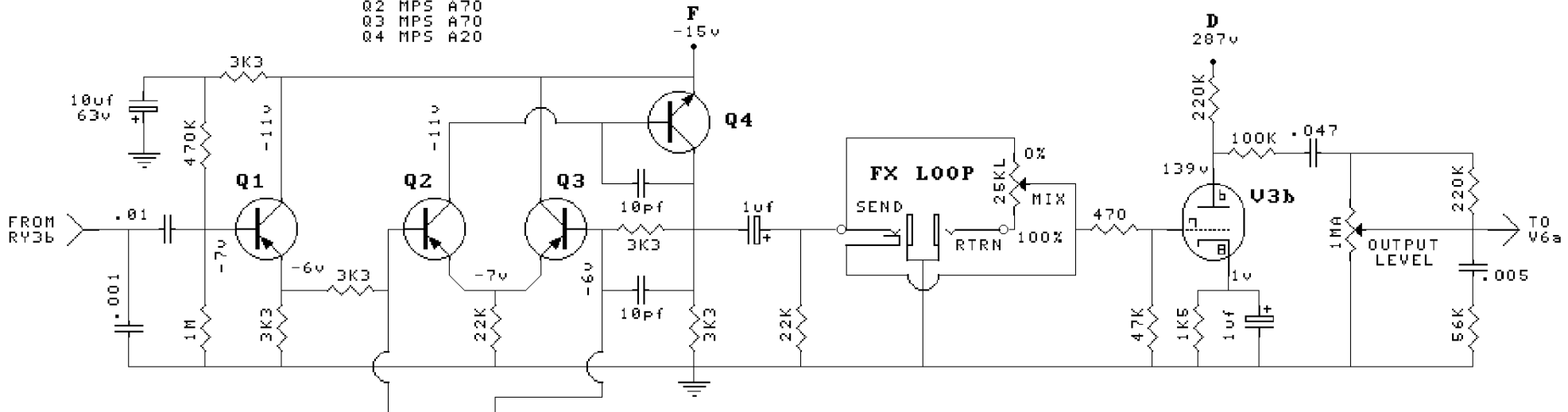
EQ

FX LOOP

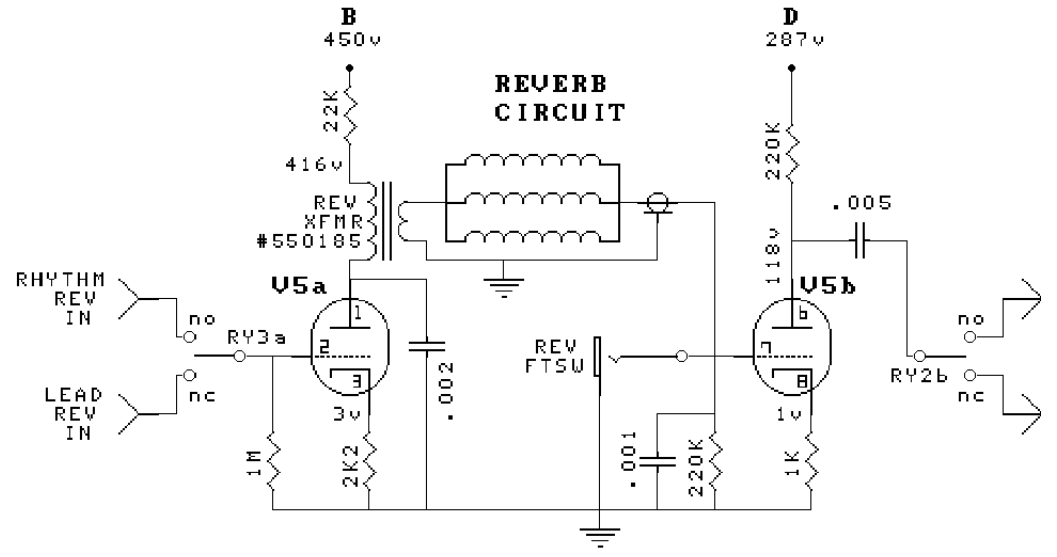
REVERB

FILE DC5BEQ.S01

Q1 MPS A63  
Q2 MPS A70  
Q3 MPS A70  
Q4 MPS A20

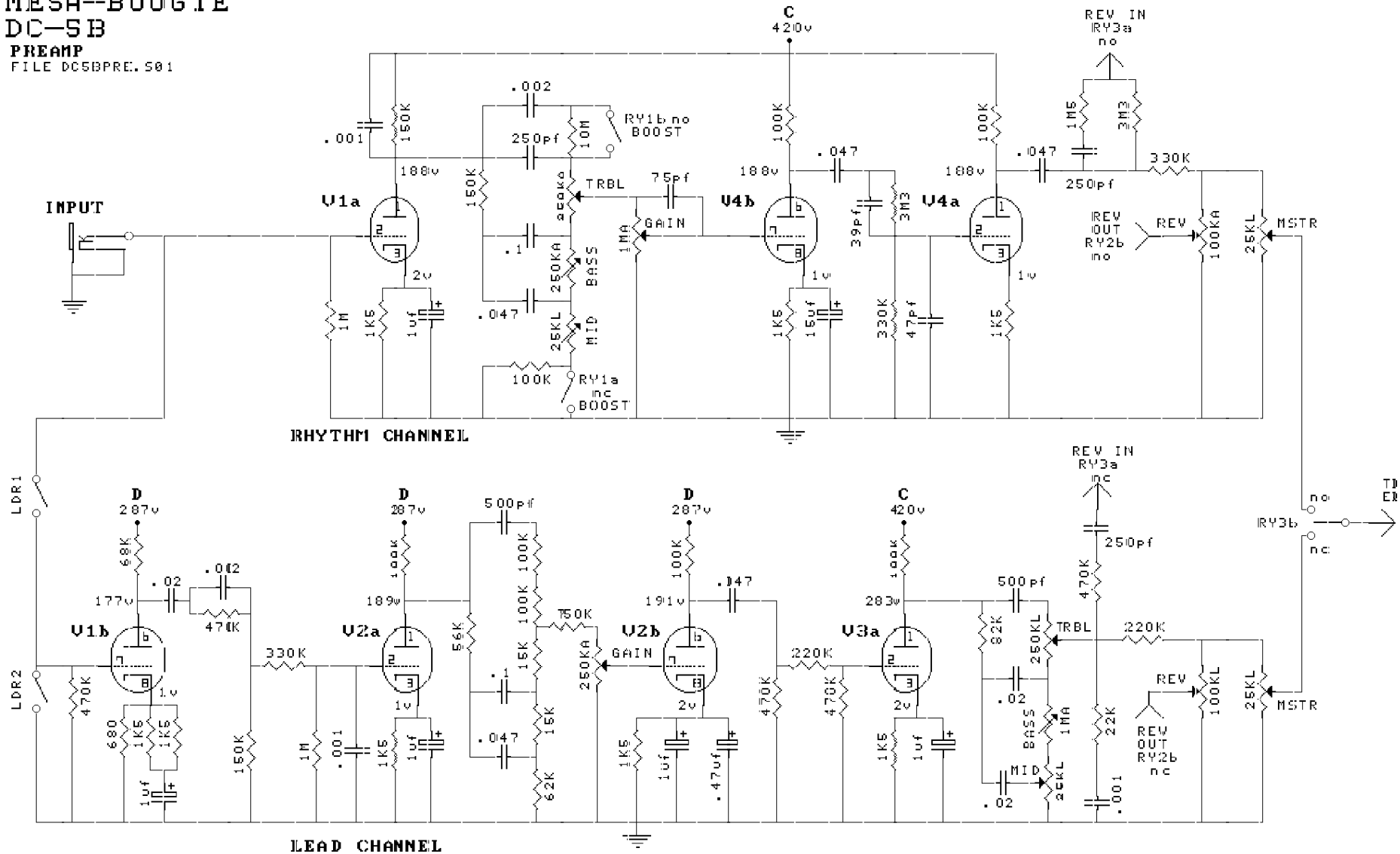


GRAPHIC EQUALIZER



REVERB CIRCUIT

**MESA--BOOGIE**  
**DC-5B**  
**PREAMP**  
 FILE DC5BPRE.S01



# MESA-BOOGIE DC-5B

## POWER AMP

FILE DC5BPWR.S01

