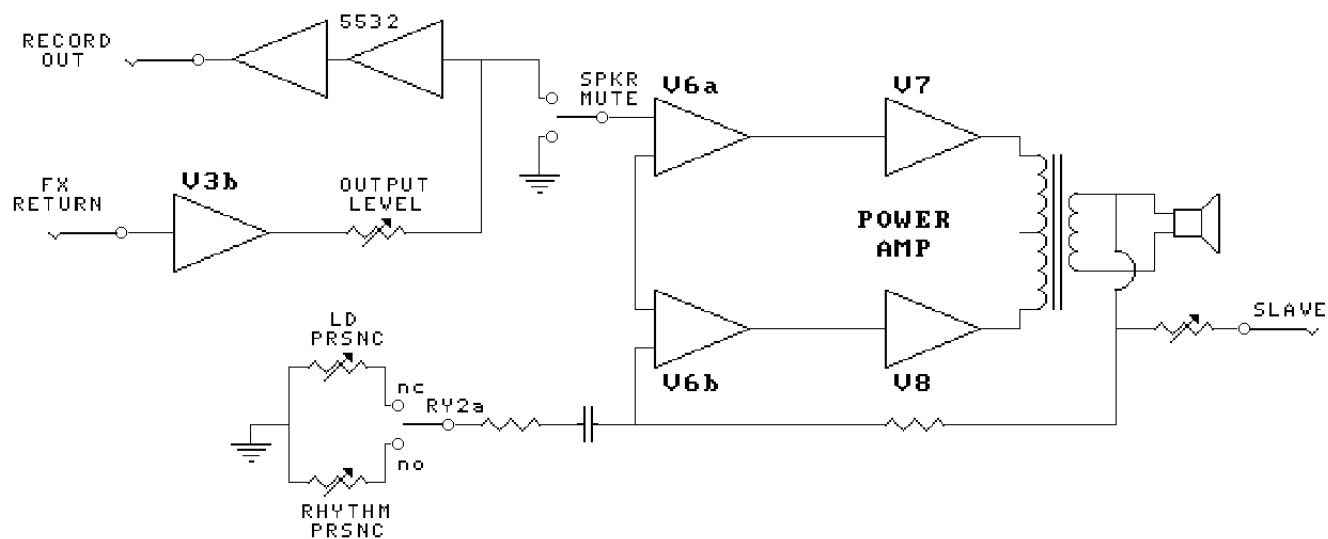
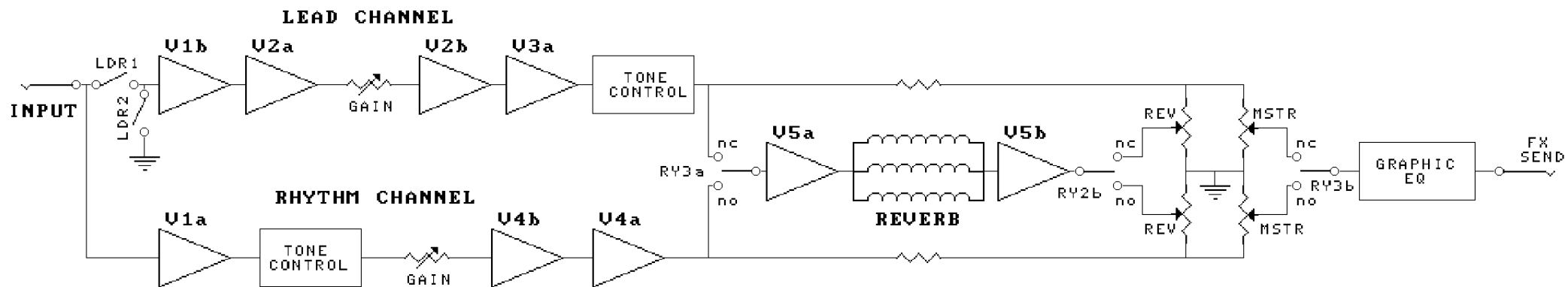


MESA-BOOGIE
DC5B
BLOCK DIAGRAM
 FILE DC5BBLOC.S01

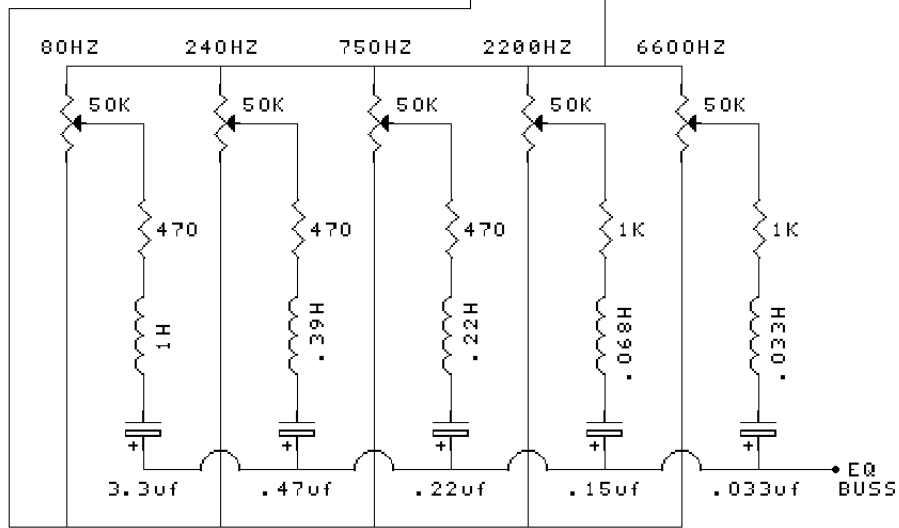
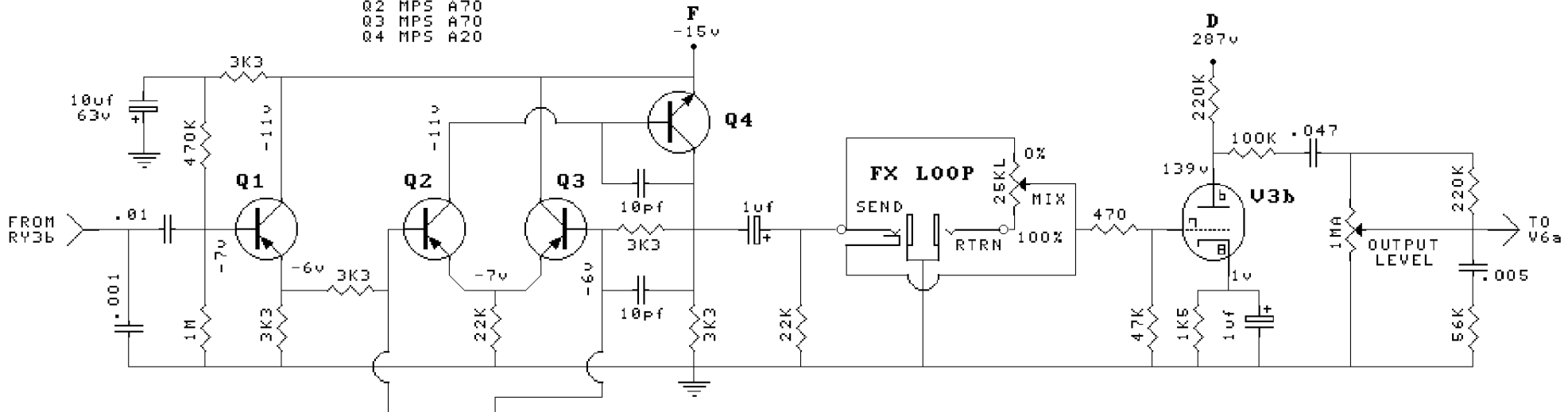


MESA-BOOGIE DC-5B

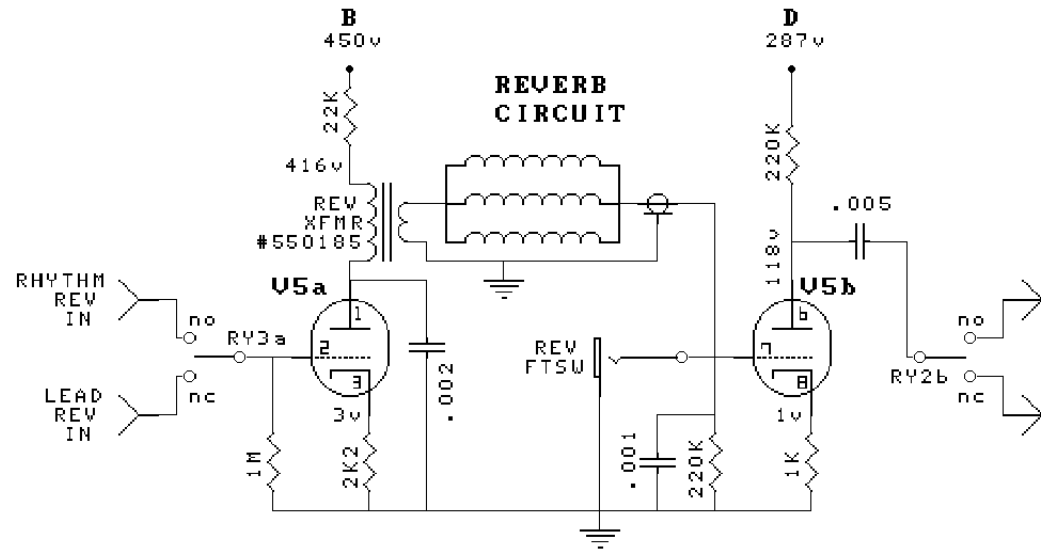
EQ
FX LOOP
REVERB

FILE DC5BEQ.S01

Q1 MPS A63
Q2 MPS A70
Q3 MPS A70
Q4 MPS A20



**GRAPHIC
EQUALIZER**

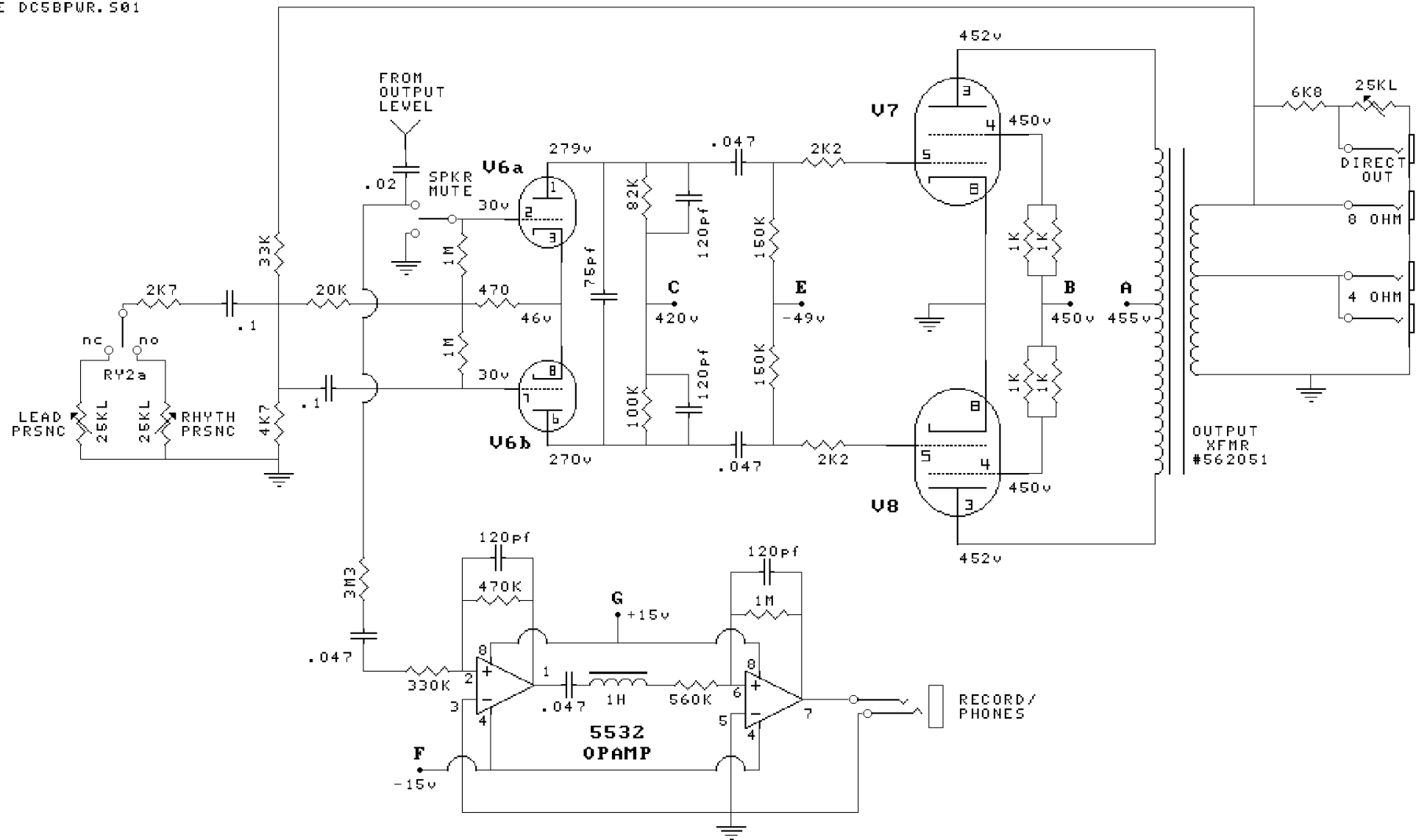


**REVERB
CIRCUIT**

MESA-BOOGIE DC-5B

POWER AMP

FILE DC5BPWR.S01



MESA-BOOGIE DC-SB

POWER SUPPLIES
FILE DC5BSUPP.501

