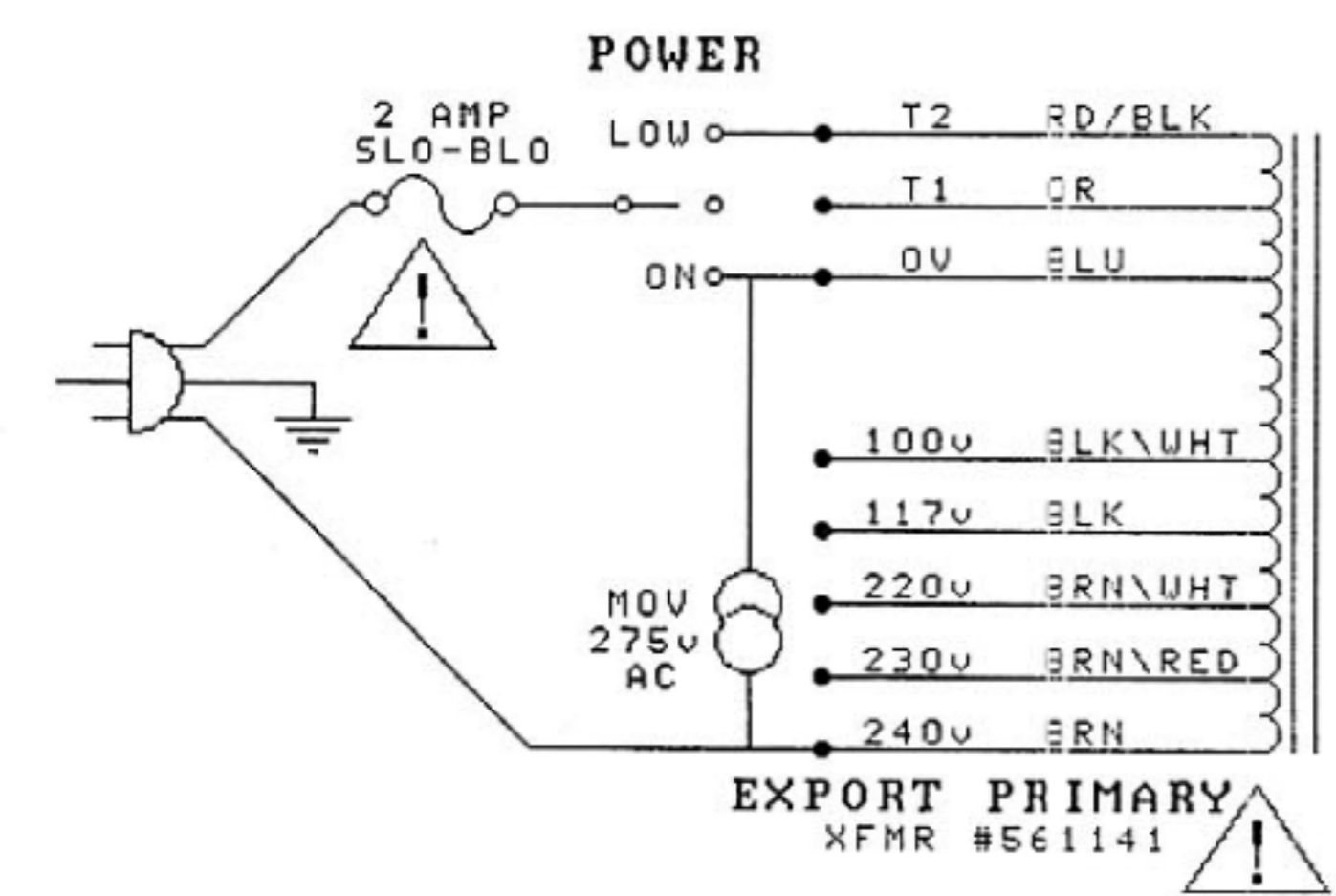
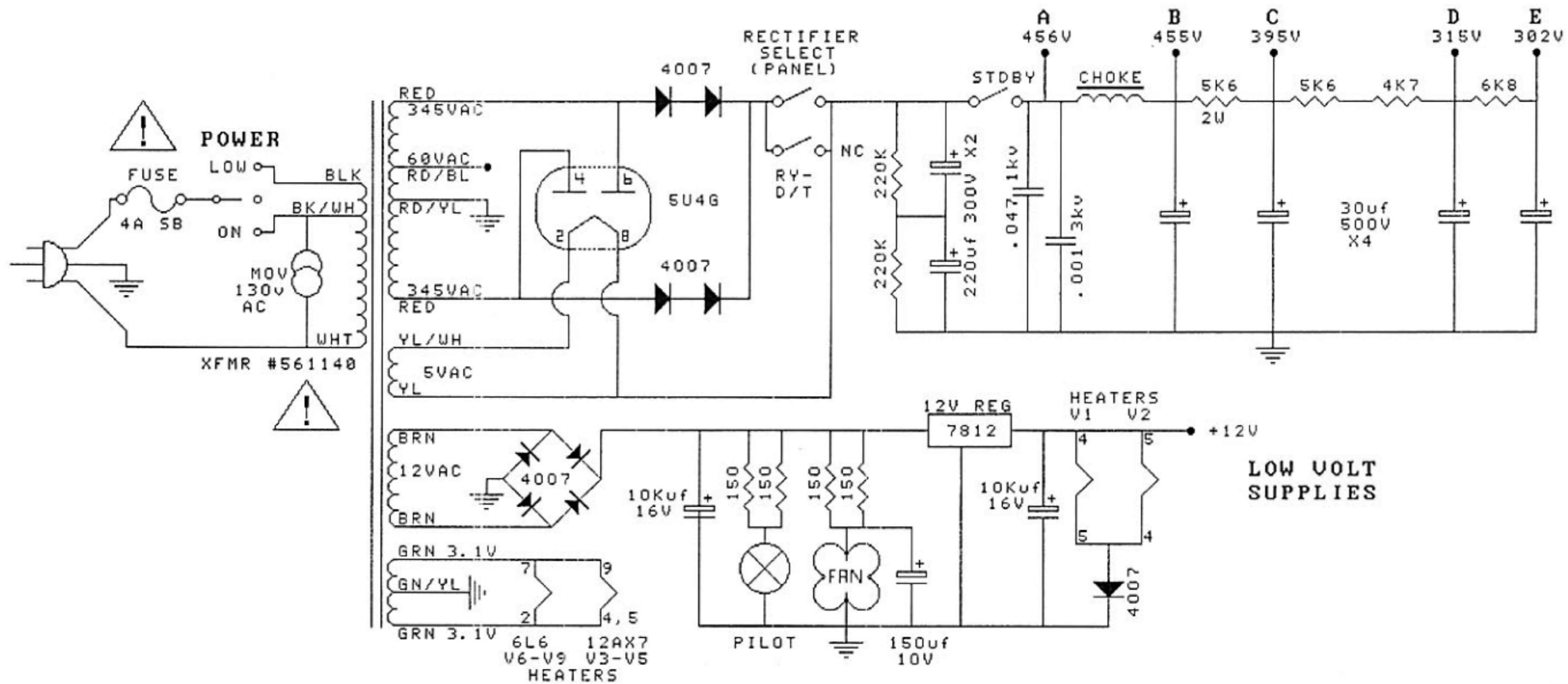
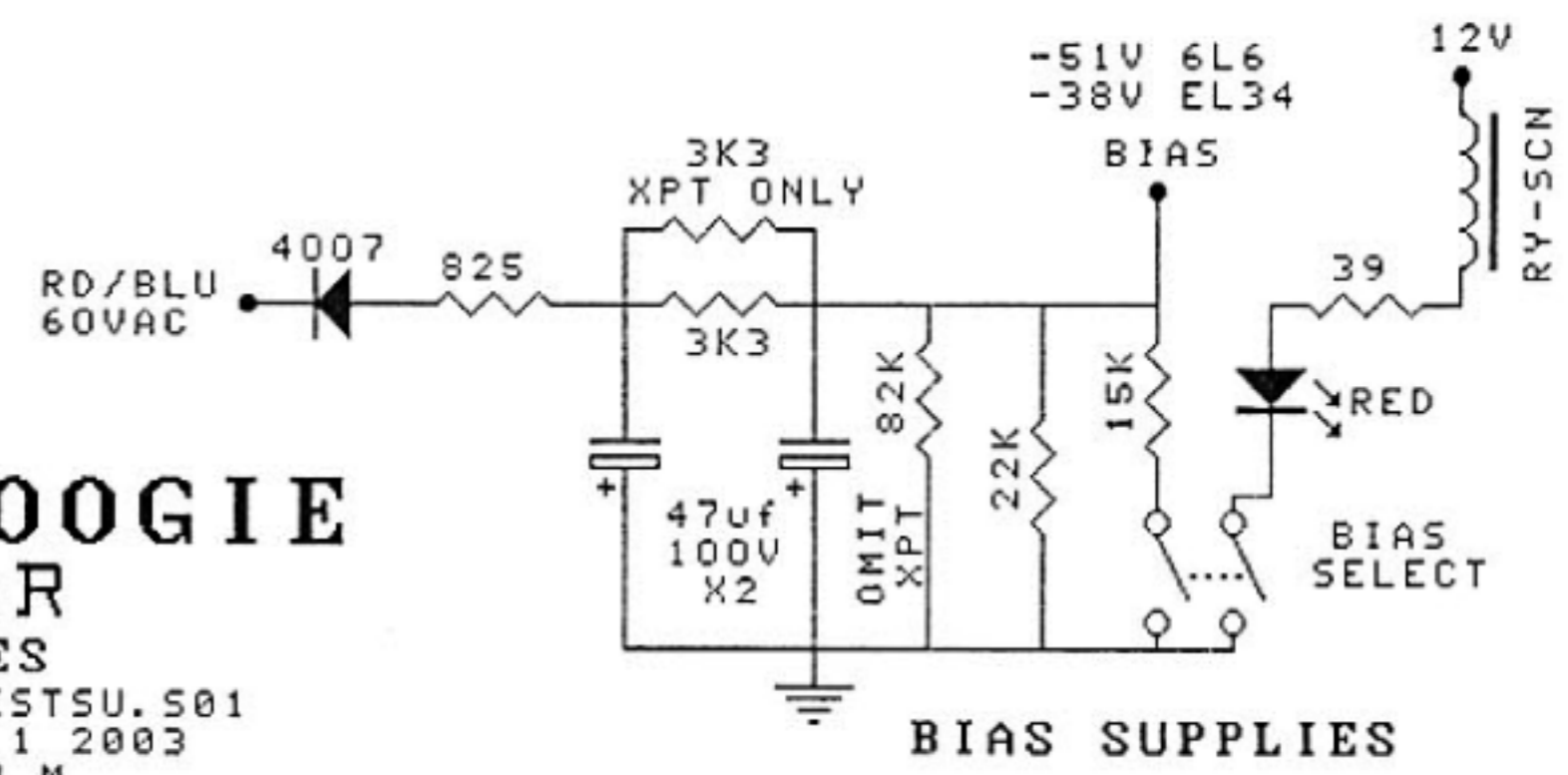


MESA/BOOGIE
LONESTAR
 BLOCK DIAGRAM
 FILE: LONESTBL.S01
 DATE: DEC 1 2003
 DRAWN BY: JOHN M
 PAGE: 1 OF 6



MESA/BOOGIE LONE STAR POWER SUPPLIES

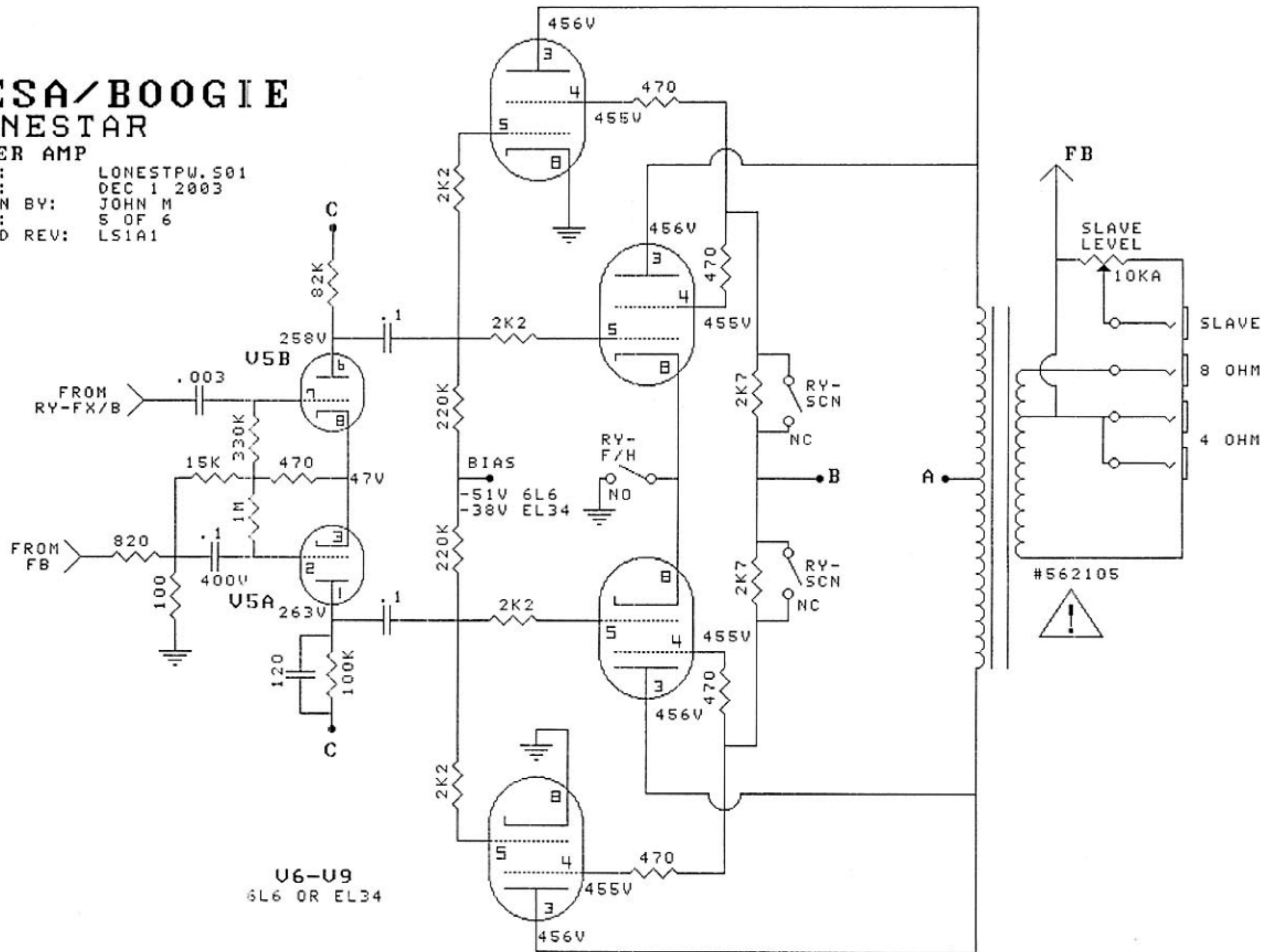
FILE: LONESTSU.S01
 DATE: DEC 1 2003
 DRAWN BY: JOHN M
 PAGE: 2 OF 6
 BOARD REV: LS1A1

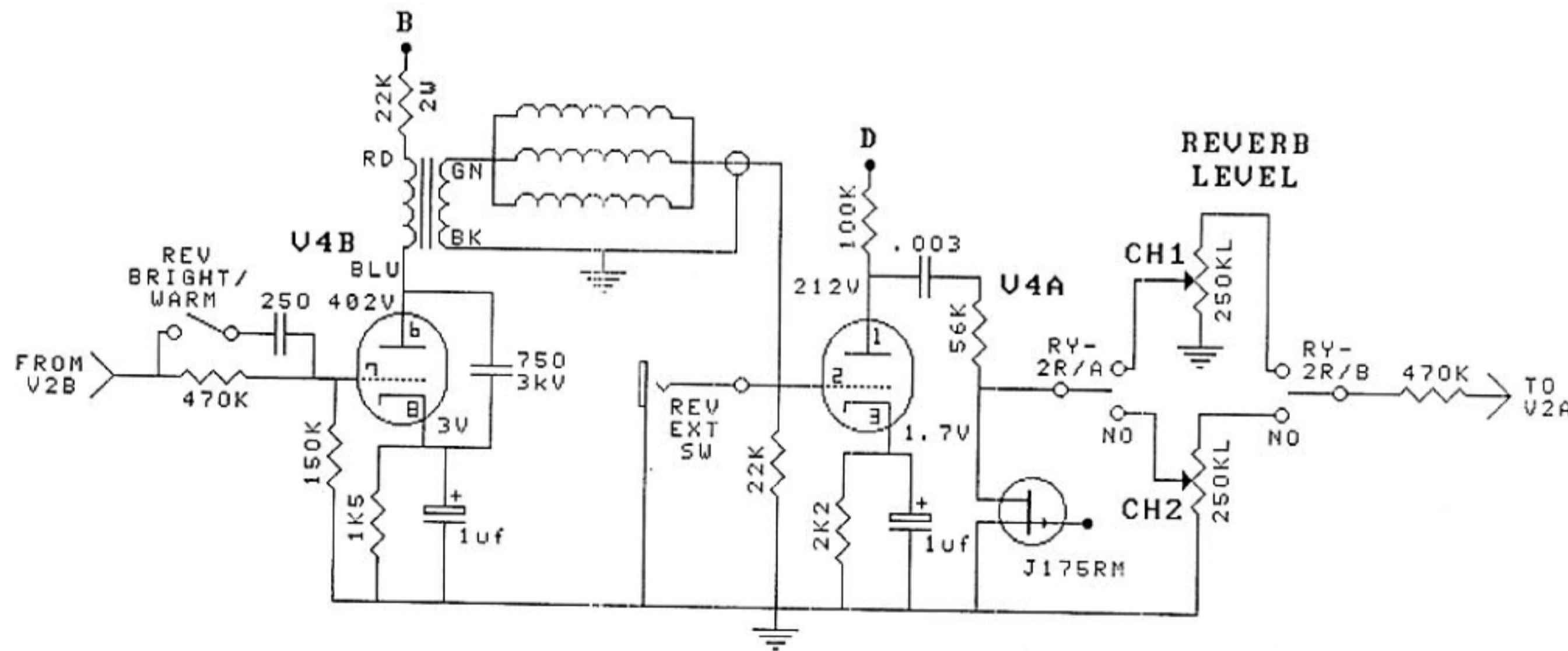
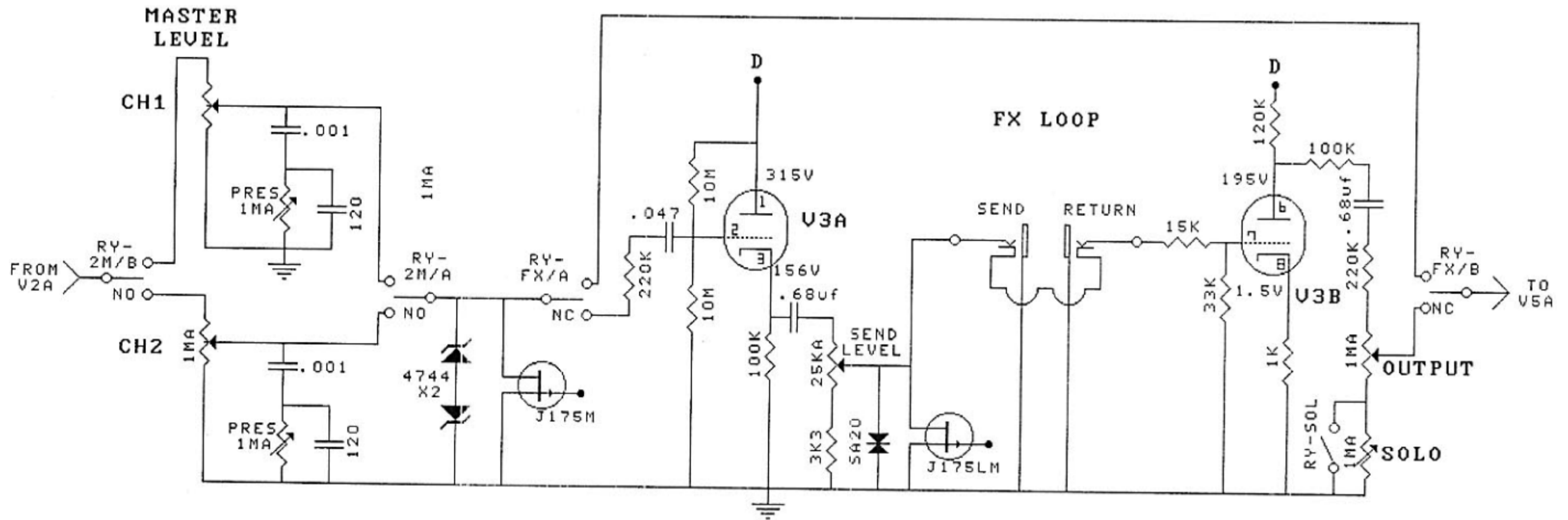


MESA/BOOGIE LONESTAR

POWER AMP

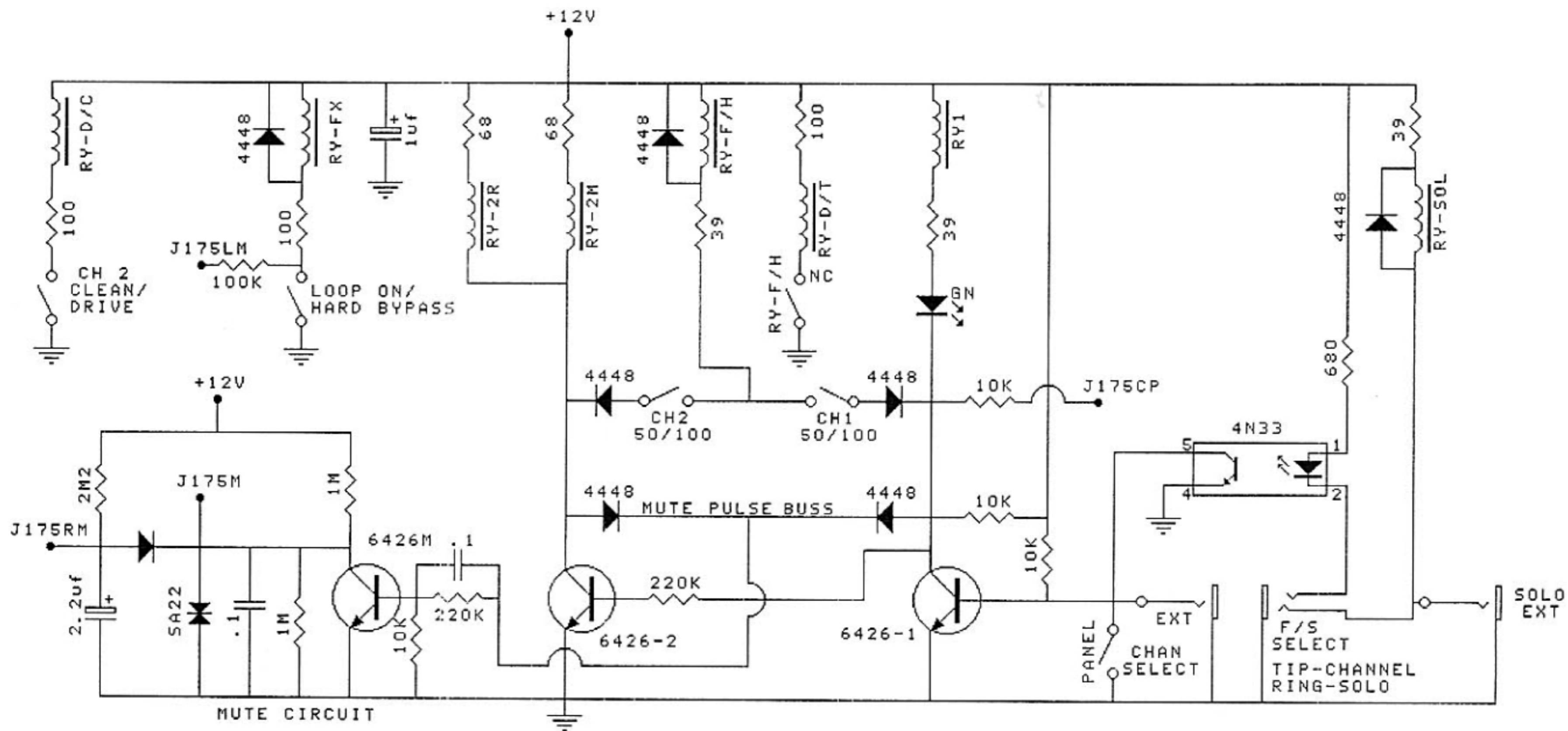
FILE: LONESTPW.S01
 DATE: DEC 1 2003
 DRAWN BY: JOHN M
 PAGE: 5 OF 6
 BOARD REV: LS1A1





MESA/BOOGIE
LONESTAR
REVERB/FX LOOP

FILE: LONESTLP.S01
 DATE: DEC 1 2003
 DRAWN BY: JOHN M
 PAGE: 4 OF 6
 BOARD REV: LS1A1



MESA/BOOGIE LONESTAR

SWITCHING MATRIX
 FILE: LONESTSW.S01
 DATE: DEC 1 2003
 DRAWN BY: JOHN M
 PAGE: 6 OF 6
 BOARD REV: LS1A1

RELAY FUNCTIONS

RY1	CHANNEL SELECT
RY-D/C	DRIVE STAGE BYPASS
RY-FX	LOOP BYPASS
RY-2R	REV LEVEL SELECT
RY-2M	MASTER SELECT
RY-F/H	50W/100W SELECT
RY-D/T	DIODE/RECT TRACKING SELECT
RY-SOL	SOLO ENGAGE

