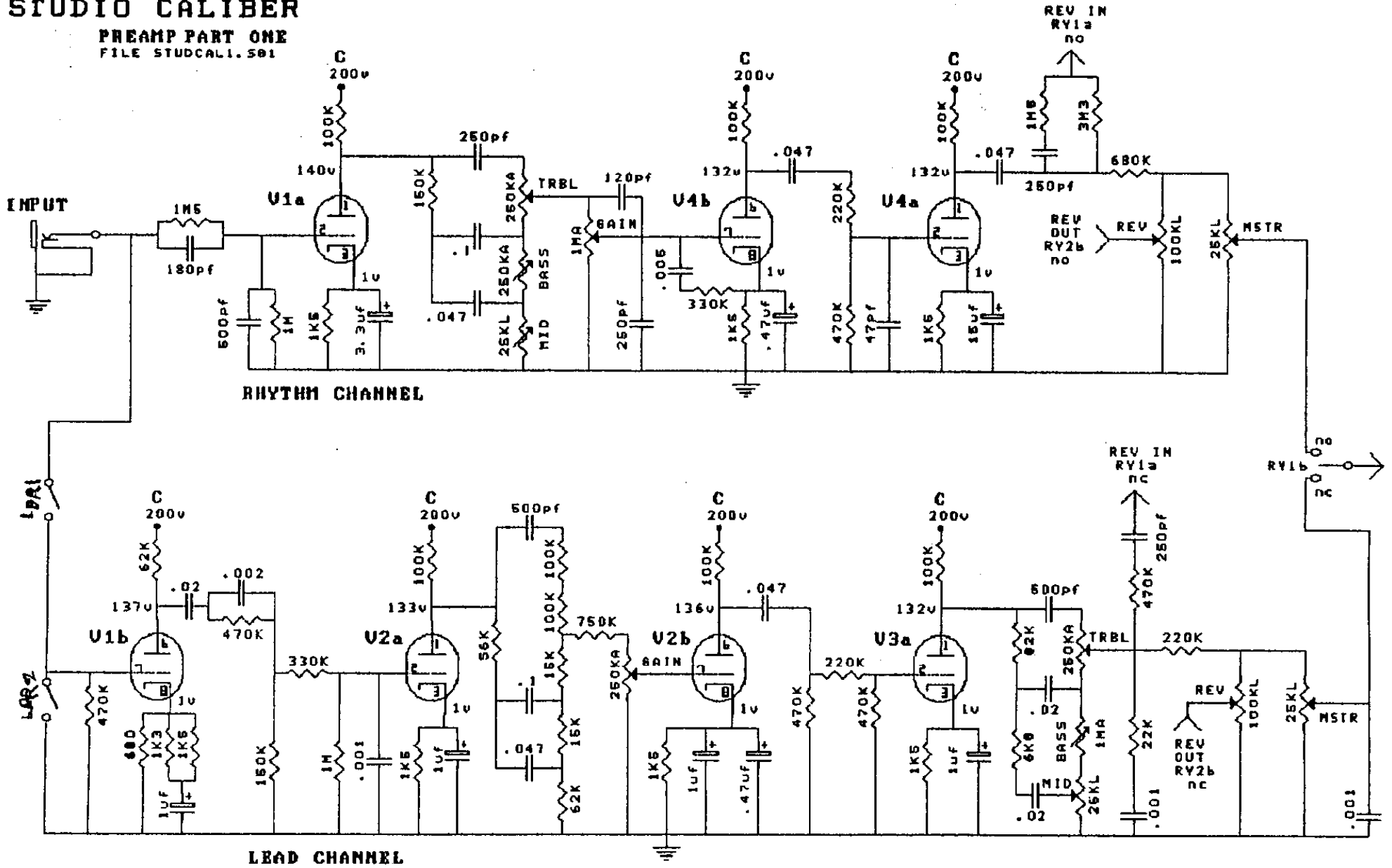


MESA-BOOGIE STUDIO CALIBER

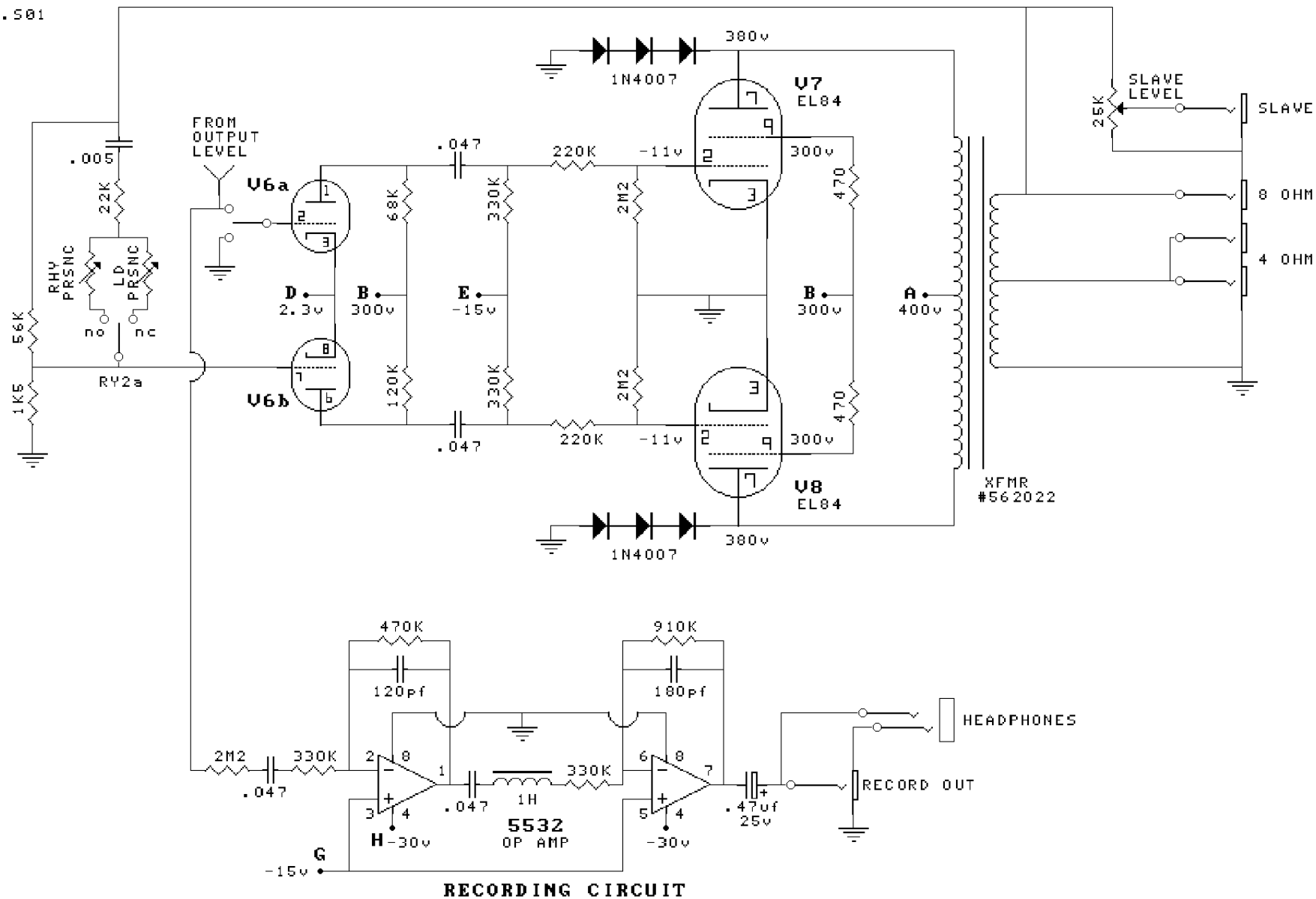
PREAMP PART ONE
FILE STUCCALI.501



MESA-BOOGIE DC2

POWER AMP
RECORD OUT

FILE DC2PUR.S01

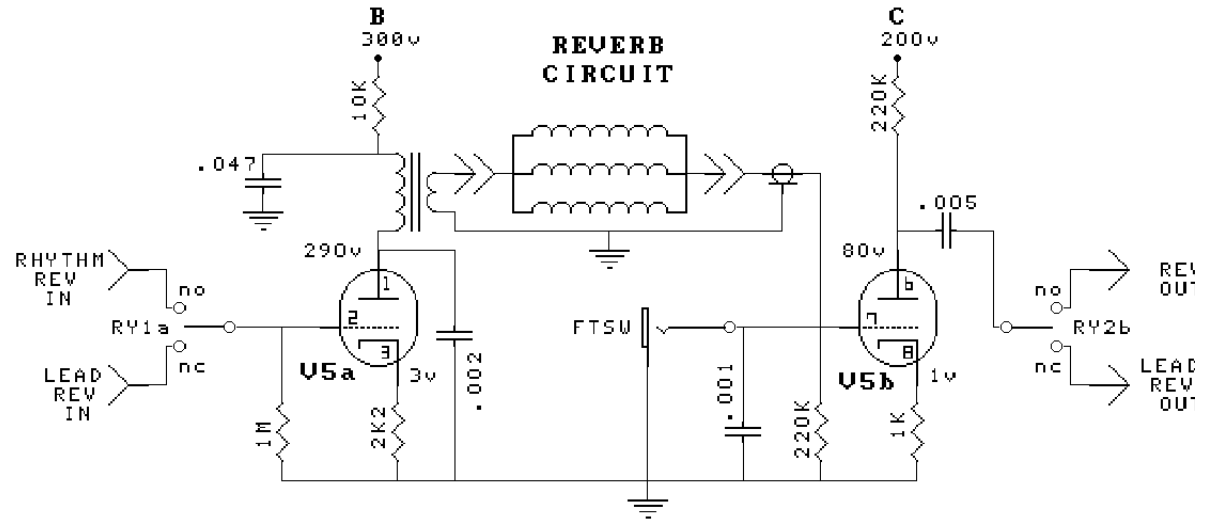
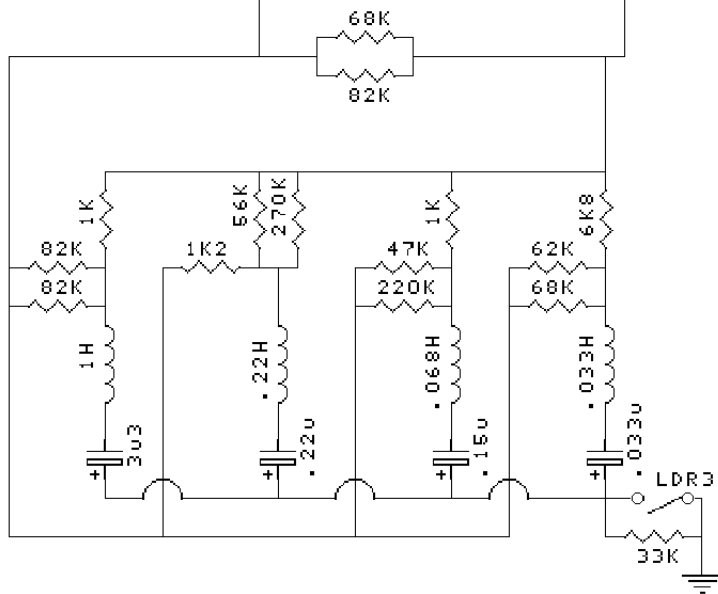
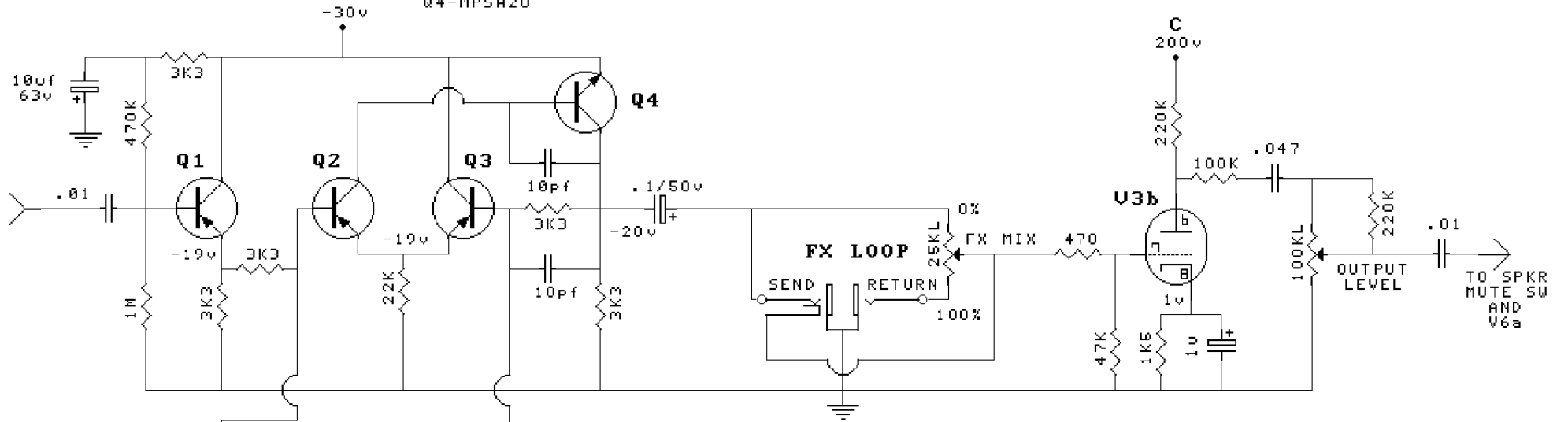


MESA-BOOGIE DC2

EQ FX LOOP

FILE DC2PRE2.S01

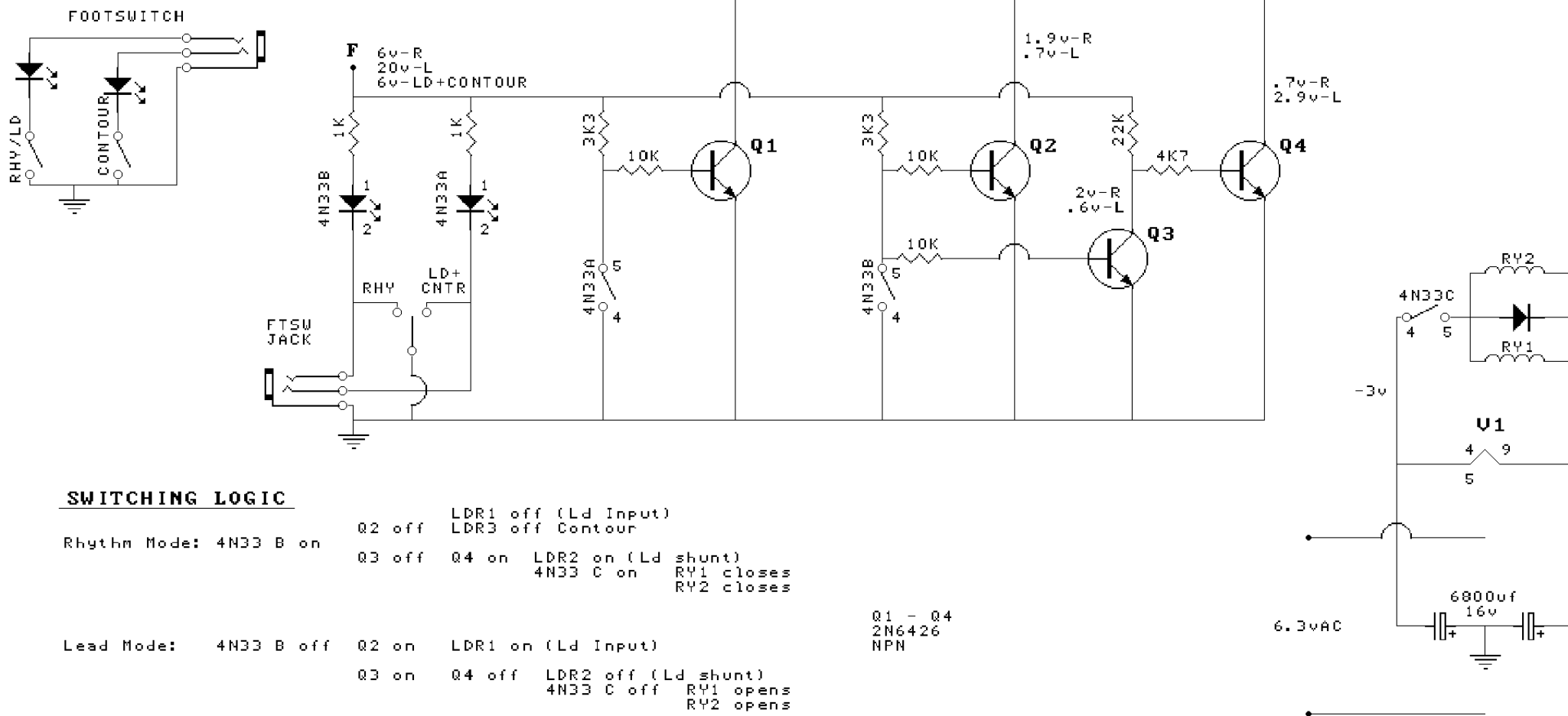
Q1-MPSA63
Q2, Q2-MPSA70
Q4-MPSA20



MESA-BOOGIE DC2

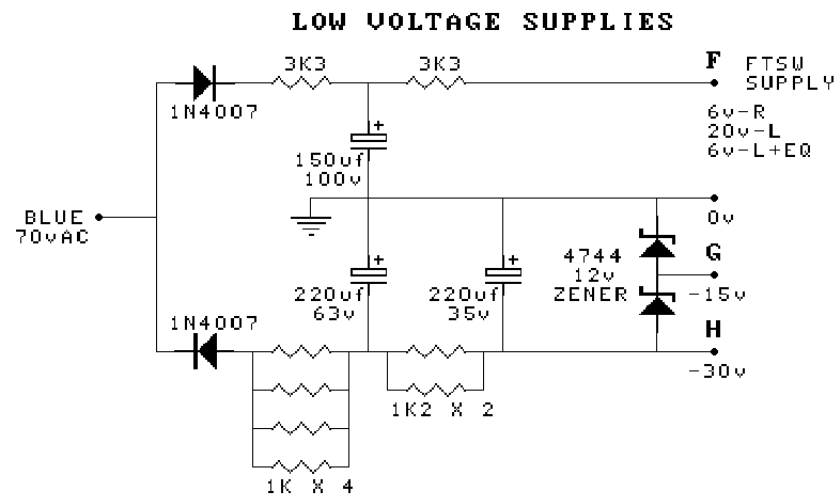
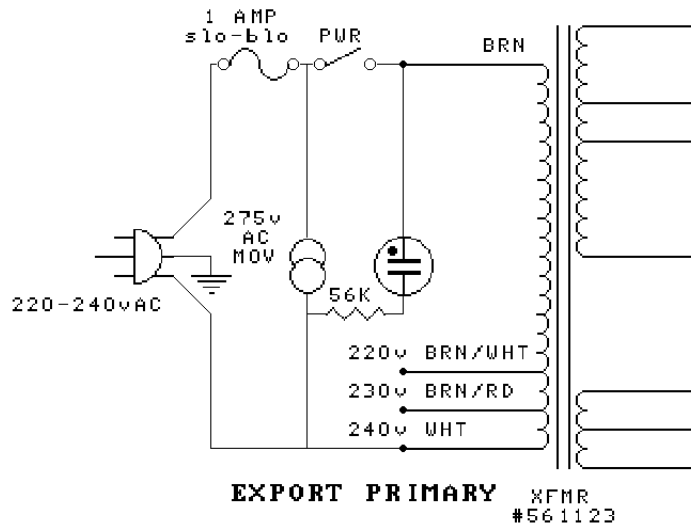
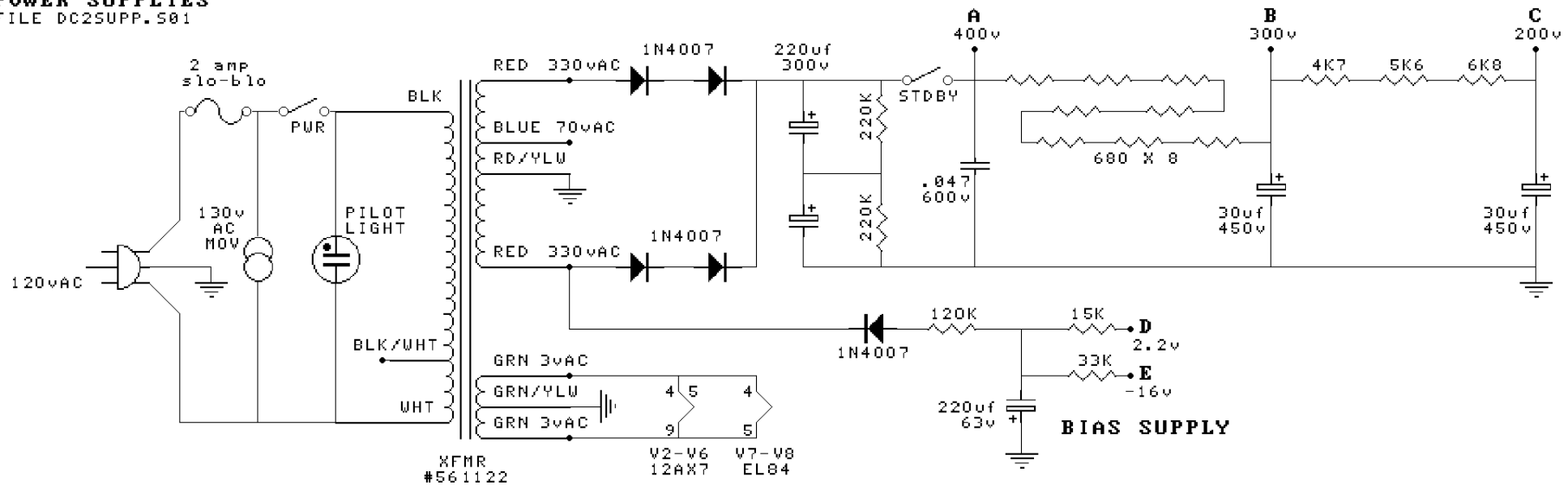
SWITCHING MATRIX

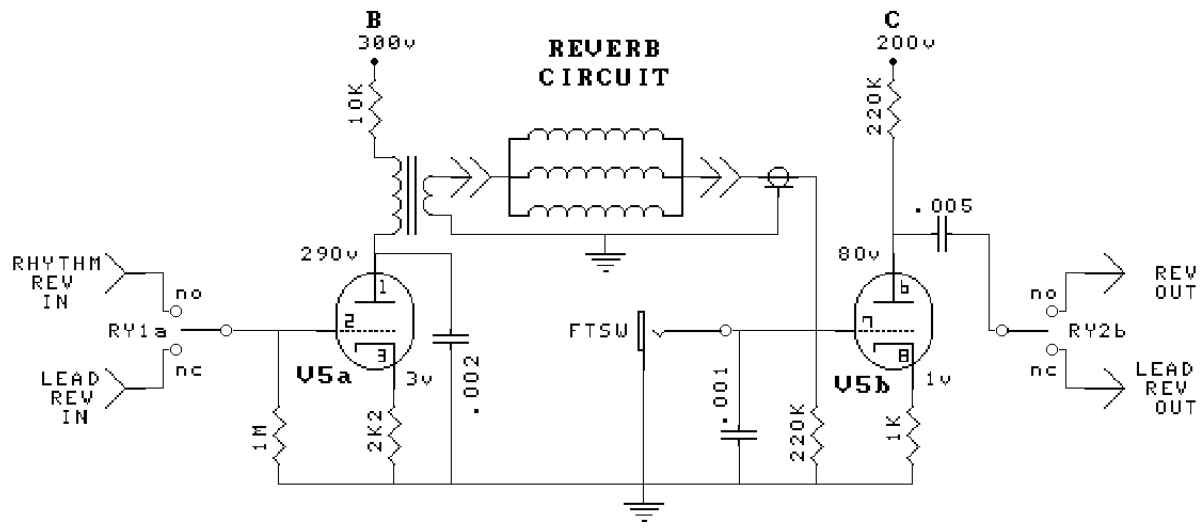
FILE DC2SU.S01



MESA-BOOGIE DC2

POWER SUPPLIES
FILE DC2SUPP.S01





MESA-BOOGIE DC2

BLOCK DIAGRAM
FILE DC2BLOCK.S01

